

MODEL: UJ31-CH-4-MSMT-TR | **DESCRIPTION:** USB RECEPTACLE**FEATURES**

- USB Type C receptacle
- USB 3.1
- 10 Gbit/s data transfer speed
- reflow solder compatible
- tape & reel packaging

**SPECIFICATIONS**

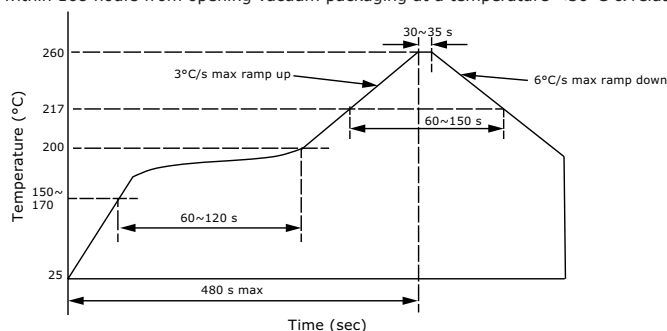
| parameter | conditions/description | min | typ | max | units |
|---------------------------------|---|-----|--------|------|--------|
| rated input voltage | | | | 20 | Vdc |
| rated input current | as per EIA-364-70, Method B | | | | |
| | power pins collectively (A4, A9, B4, B9) | | | 5.0 | A |
| | GND pins collectively (A1, A12, B1, B12) | | | 6.25 | A |
| | VCONN pins individually (A5, B5) | | | 1.25 | A |
| | all other signal pins individually | | | 0.25 | A |
| contact resistance ¹ | between terminals and mating plug | | | 40 | mΩ |
| insulation resistance | at 100 Vdc for 1 minute between adjacent contacts | 100 | | | MΩ |
| voltage withstand | at 60 Hz for 1 minute between adjacent contacts | | | 100 | Vac |
| insertion force | at a rate of 12.5 mm/min | 5 | | 20 | N |
| withdrawal force | at a rate of 12.5 mm/min | 8 | | 20 | N |
| life | at a rate of 500 ±50 cycles per hour | | 10,000 | | cycles |
| operating temperature | | -30 | | 85 | °C |
| storage temperature | | -40 | | 85 | °C |
| flammability rating | UL94V-0 | | | | |
| RoHS | yes | | | | |

Note: 1. When measured at 20 mV max / 100 mA.

SOLDERABILITY

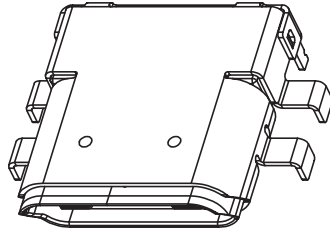
| parameter | conditions/description | min | typ | max | units |
|-------------------------------|---------------------------|-----|-----|-----|-------|
| reel storage | at relative humidity <60% | | | 30 | °C |
| reflow soldering ² | see reflow profile | 255 | 260 | 265 | °C |

Note: 2. It is recommended to reflow solder within 168 hours from opening vacuum packaging at a temperature <30°C & relative humidity <60%.

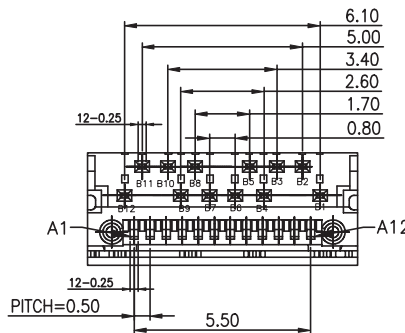
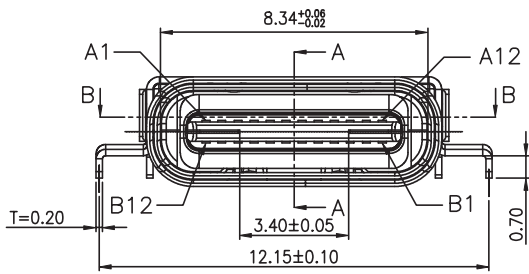
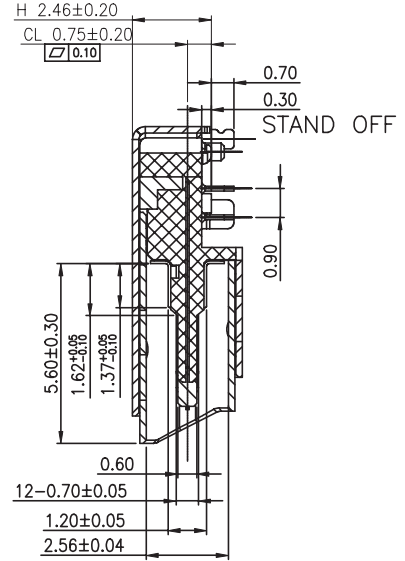
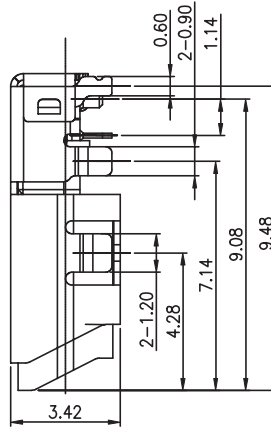
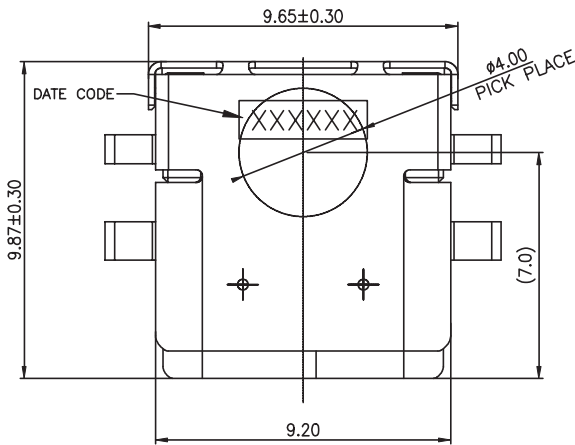


MECHANICAL DRAWING

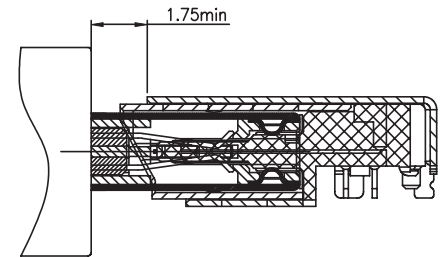
units: mm
 tolerance:
 X.X ±0.2 mm
 X.XX ±0.15 mm



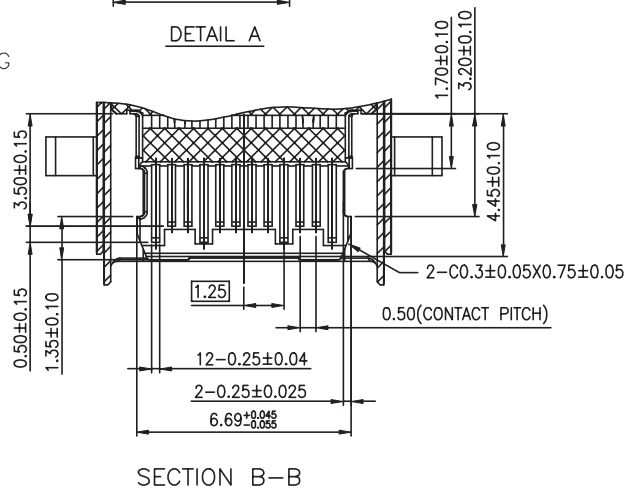
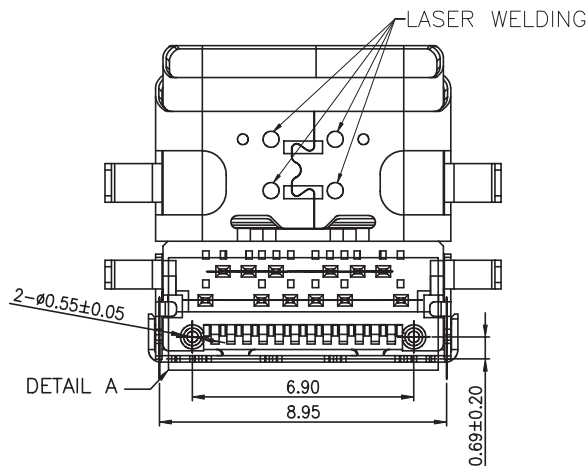
| | MATERIAL | PLATING |
|-------------------|-----------------|--|
| contact terminals | copper alloy | contact: gold flash solder: matte tin |
| ground spring | stainless steel | |
| shell | stainless steel | nickel |
| insulator | LCP | |



SECTION A-A



DETAIL A

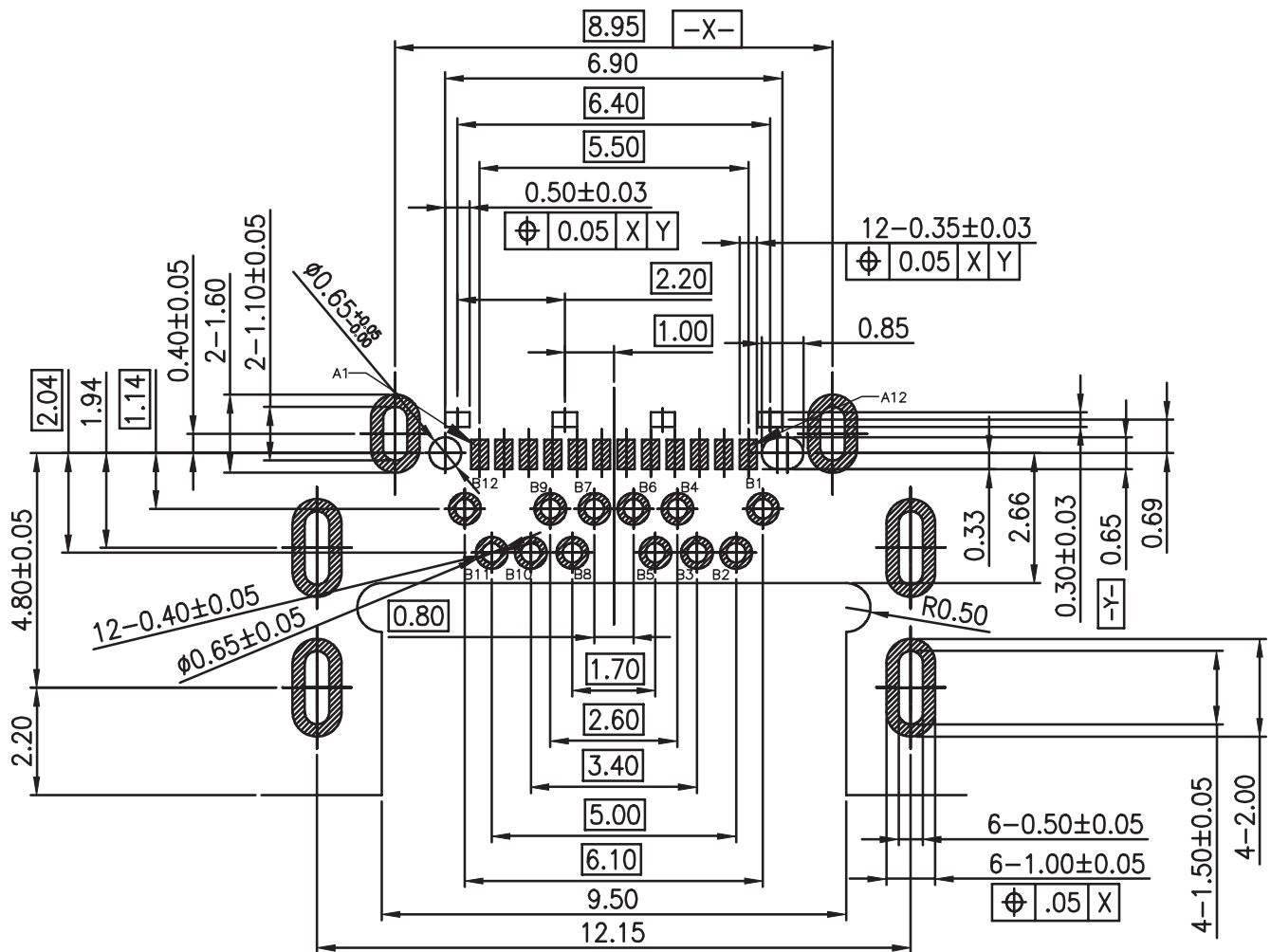


SECTION B-B

MECHANICAL DRAWING (CONTINUED)

units: mm
PCB tolerance: ±0.05 mm

| PIN CONNECTIONS | | | | | |
|-----------------|------------------|-----------------|-------|------------------|-----------------|
| PIN | SIGNAL NAME | MATING SEQUENCE | PIN | SIGNAL NAME | MATING SEQUENCE |
| A1 | GND | FIRST | B12 | GND | FIRST |
| A2 | SSTXp1 | SECOND | B11 | SSRXp1 | SECOND |
| A3 | SSTXn1 | SECOND | B10 | SSRXn1 | SECOND |
| A4 | V _{BUS} | FIRST | B9 | V _{BUS} | FIRST |
| A5 | CC1 | SECOND | B8 | SBU2 | SECOND |
| A6 | Dp1 | SECOND | B7 | Dn2 | SECOND |
| A7 | Dn1 | SECOND | B6 | Dp2 | SECOND |
| A8 | SBU1 | SECOND | B5 | CC2 | SECOND |
| A9 | V _{BUS} | FIRST | B4 | V _{BUS} | FIRST |
| A10 | SSRXn2 | SECOND | B3 | SSTXn2 | SECOND |
| A11 | SSRXp2 | SECOND | B2 | SSTXp2 | SECOND |
| A12 | GND | FIRST | B1 | GND | FIRST |
| SHELL | GND | | SHELL | GND | |



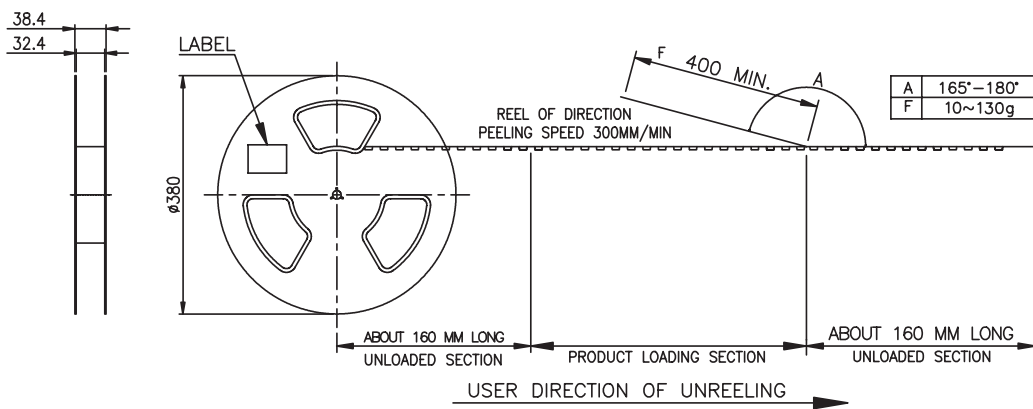
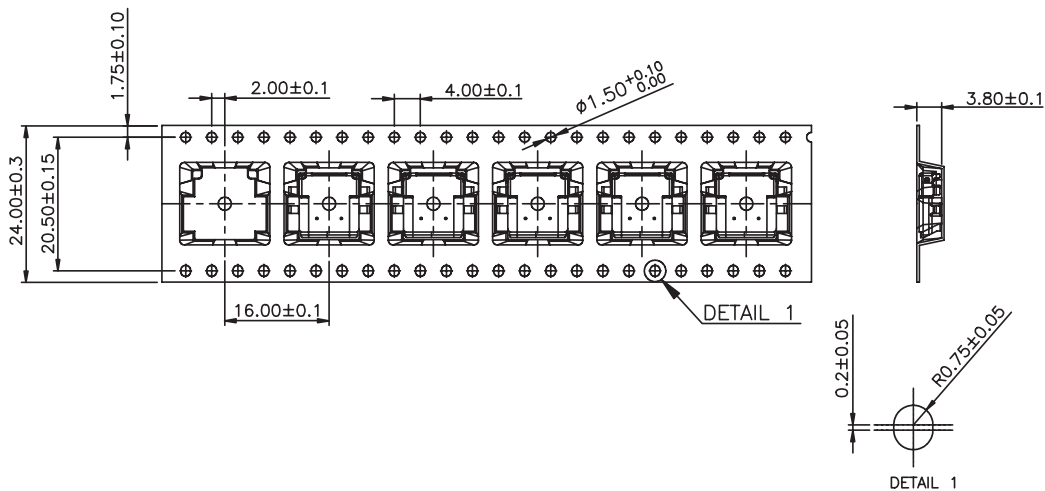
Recommended PCB Layout
Top View

PACKAGING

units: mm

Reel Size: $\varnothing 380$ mm

Reel QTY: 1,250 pcs per reel



REVISION HISTORY

| rev. | description | date |
|------|--|------------|
| 1.0 | initial release | 12/19/2017 |
| 1.01 | updated datasheet | 01/30/2018 |
| 1.02 | added dimension to drawing | 04/24/2018 |
| 1.03 | added 4 laser welding points to bottom of part | 06/11/2019 |
| 1.04 | brand update | 01/28/2020 |

The revision history provided is for informational purposes only and is believed to be accurate.

CUI DEVICES

CUI Devices offers a one (1) year limited warranty. Complete warranty information is listed on our website.

CUI Devices reserves the right to make changes to the product at any time without notice. Information provided by CUI Devices is believed to be accurate and reliable. However, no responsibility is assumed by CUI Devices for its use, nor for any infringements of patents or other rights of third parties which may result from its use.

CUI Devices products are not authorized or warranted for use as critical components in equipment that requires an extremely high level of reliability. A critical component is any component of a life support device or system whose failure to perform can be reasonably expected to cause the failure of the life support device or system, or to affect its safety or effectiveness.