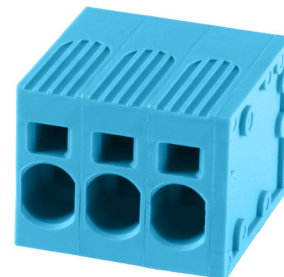


**SERIES:** TBL-0015-750 | **DESCRIPTION:** TERMINAL BLOCK

**FEATURES**

- 1-6 poles
- 7.50 mm pitch
- blue, green, red, white & yellow options
- UL safety approval


**SPECIFICATIONS**

| parameter             | conditions/description   | min | typ   | max         | units |
|-----------------------|--|-----|-------|-------------|-------|
| rated voltage (UL)    | Use Group:<br>B (1P/XP models)                                 |     |       | 300/600     | V     |
|                       | C (1P/XP models)   |     |       | -/600       | V     |
|                       | D (1P/XP models)   |     |       | 300/600     | V     |
| rated current (UL)    | Use Group:<br>B (1P/XP models)                                 |     |       | 40/40       | A     |
|                       | C (1P/XP models)   |     |       | -/40        | A     |
|                       | D (1P/XP models)   |     |       | 10/5        | A     |
| rated voltage (IEC)   | Overvoltage Category/Pollution Degree:<br>III/3 (1P/XP models) |     |       | 630/800     | V     |
|                       | III/2 (1P/XP models)   |     |       | 1,000/1,000 | V     |
|                       | II/2 (1P/XP models)  |     |       | 1,000/1,000 | V     |
| rated current (IEC)   | Overvoltage Category/Pollution Degree:<br>III/3 (1P/XP models) |     |       | 41/41       | A     |
|                       | III/2 (1P/XP models)   |     |       | 41/41       | A     |
|                       | II/2 (1P/XP models)  |     |       | 41/41       | A     |
| withstanding voltage  | for 1 minute (1 pole model)                                    |     | 1,600 |             | Vac   |
|                       | for 1 minute (all other pole models)                           |     | 2,200 |             | Vac   |
| surge voltage         | 1 pole model   |     |       | 6,000       | V     |
|                       | all other pole models  |     |       | 8,000       | V     |
| contact resistance    |  |     |       | 20          | mΩ    |
| insulation resistance | at 500 Vdc   | 500 |       |             | MΩ    |
| operating temperature |  | -40 |       | 105         | °C    |
| safety approvals      | UL 1059 certified, IEC 60947-7-4 compliant                     |     |       |             |       |
| flammability rating   | UL94V-0  |     |       |             |       |
| wave soldering        | for maximum 5 seconds  |     | 260   |             | °C    |
| RoHS                  | yes  |     |       |             |       |

**PART NUMBER KEY**
**TBL - 0015 - 750 - XX XX**

Base Number

No. of Poles:

01 03 05

02 04 06

Body Color:

BE = blue

GR = green

RD = red

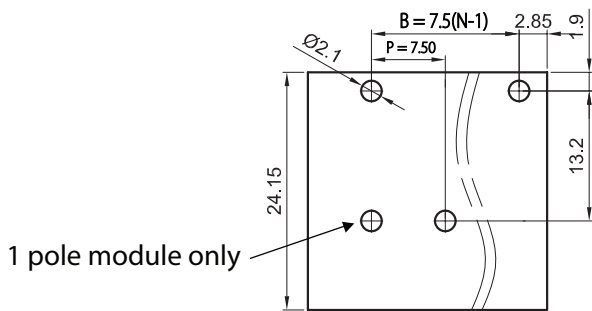
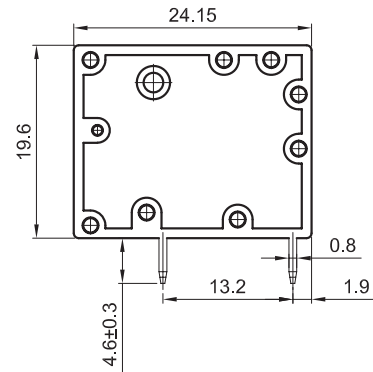
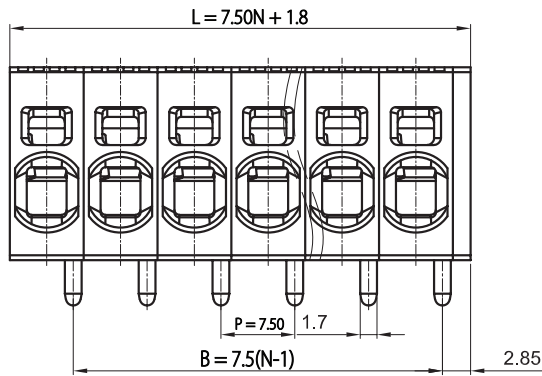
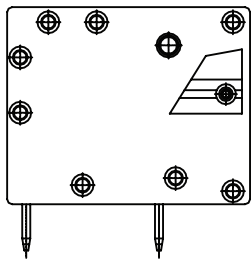
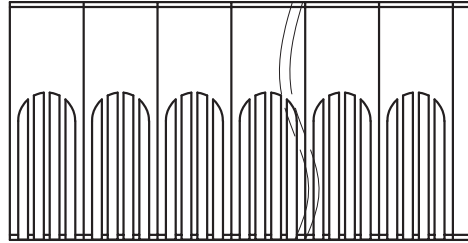
WT = white

YL = yellow

## MECHANICAL DRAWING

units: mm  
 tolerance:  
 $X \leq 6.00$ :  $\pm 0.20$  mm  
 $6.00 < X \leq 10.00$ :  $\pm 0.30$  mm  
 $10.00 < X \leq 30.00$ :  $\pm 0.50$  mm  
 $30.00 < X \leq 60.00$ :  $\pm 0.70$  mm  
 $60.00 < X \leq 100.00$ :  $\pm 1.00$  mm  
 $100.00 < X \leq 160.00$ :  $\pm 1.30$  mm  
 $X > 160.00$ :  $\pm 1.60$  mm  
 unless otherwise noted

| DESCRIPTION | MATERIAL       | PLATING/COLOR |
|-------------|----------------|---------------|
| housing     | PA66 [UL94V-0] |               |
| contacts    | copper alloy   | tin           |



01P 02P ... XXP  
 Recommended PCB Layout  
 Top View

| WIRE ASSEMBLY               |          |   |
|-----------------------------|----------|---|
|                             | UL       | IEC   |
| Wire Range [solid/flexible] | 24-8 AWG | 0.2-10 mm <sup>2</sup> /<br>0.2-6 mm <sup>2</sup> |
| Strip Length                | 15 mm    |   |

This series is constructed of 1 pole modules where L is the total length, P is the pitch, and N is the number of poles.

| N | 01   | 02    | 03    | 04    | 05    | 06    |
|---|------|-------|-------|-------|-------|-------|
| L | 9.30 | 16.80 | 24.30 | 31.80 | 39.30 | 46.80 |
| B | -    | 7.50  | 15.00 | 22.50 | 30.00 | 37.50 |

## REVISION HISTORY

| rev. | description     | date       |
|------|-----------------|------------|
| 1.0  | initial release | 03/18/2024 |

The revision history provided is for informational purposes only and is believed to be accurate.



CUI Devices offers a one (1) year limited warranty. Complete warranty information is listed on our website.

CUI Devices reserves the right to make changes to the product at any time without notice. Information provided by CUI Devices is believed to be accurate and reliable. However, no responsibility is assumed by CUI Devices for its use, nor for any infringements of patents or other rights of third parties which may result from its use.

CUI Devices products are not authorized or warranted for use as critical components in equipment that requires an extremely high level of reliability. A critical component is any component of a life support device or system whose failure to perform can be reasonably expected to cause the failure of the life support device or system, or to affect its safety or effectiveness.

[cuidevices.com](http://cuidevices.com)