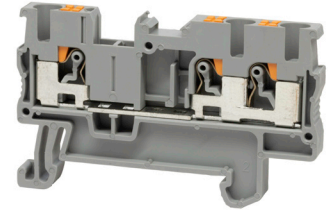


**MODEL:** TBDR-09-25-GY | **DESCRIPTION:** DIN RAIL TERMINAL BLOCK

**FEATURES**

- DIN rail mount
- push-in spring
- 2.5 mm<sup>2</sup> wire size
- feed through
- UL and CE safety approvals

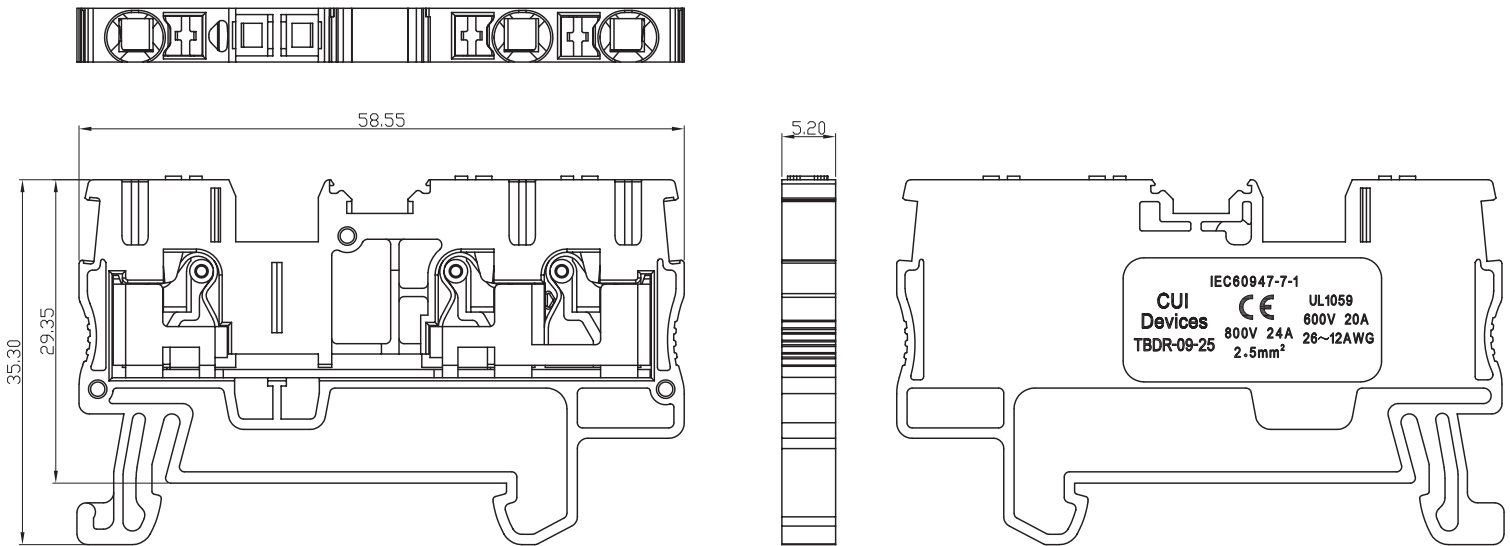

**SPECIFICATIONS**

| parameter             | conditions/description   | min | typ  | max      | units  |
|-----------------------|--|-----|------|----------|--------|
| rated voltage (UL)    | Use Group:<br>B, C, D  |     |      | 600      | V      |
| rated current (UL)    | Use Group:<br>B, C<br>D  |     |      | 20<br>5  | A<br>A |
| rated voltage (IEC)   | Overvoltage Category/Pollution Degree:<br>III/3<br>III/2, II/2 |     |      | 800<br>- | V      |
| rated current (IEC)   | Overvoltage Category/Pollution Degree:<br>III/3<br>III/2, II/2 |     |      | 24<br>-  | A      |
| frequency voltage     |  |     | 2200 |          | Vac    |
| surge voltage         |  |     |      | 6000     | V      |
| voltage drop          |  |     |      | 3.2      | mV     |
| insulation resistance | at 500 Vdc   | 500 |      |          | MΩ     |
| operating temperature |  | -40 |      | 105      | °C     |
| safety approvals      | UL 1059, IEC 60947-7-1   |     |      |          |        |
| flammability rating   | UL94V-0  |     |      |          |        |
| RoHS                  | yes  |     |      |          |        |

## MECHANICAL DRAWING

units: mm  
 tolerance:  
 $X \leq 6.00$ :  $\pm 0.25$  mm  
 $6.00 < X \leq 30.00$ :  $\pm 0.40$  mm  
 $30.00 < X \leq 60.00$ :  $\pm 0.60$  mm  
 unless otherwise noted

| DESCRIPTION | MATERIAL        | PLATING/COLOR |
|-------------|-----------------|---------------|
| housing     | PA66 (UL94V-0)  | gray          |
| contacts    | copper alloy    | tin           |
| spring      | stainless steel |               |



| ASSEMBLY      |               |                         |
|---------------|---------------|-------------------------|
|               | UL            | IEC                     |
| Wire Range    | 26-12 AWG     | 0.2-2.5 mm <sup>2</sup> |
| Strip Length  | 10-12 mm      |                         |
| Mounting Rail | TS 35/7.5, 15 |                         |

## REVISION HISTORY

| rev. | description     | date       |
|------|-----------------|------------|
| 1.0  | initial release | 11/18/2022 |

The revision history provided is for informational purposes only and is believed to be accurate.



CUI Devices offers a one (1) year limited warranty. Complete warranty information is listed on our website.

CUI Devices reserves the right to make changes to the product at any time without notice. Information provided by CUI Devices is believed to be accurate and reliable. However, no responsibility is assumed by CUI Devices for its use, nor for any infringements of patents or other rights of third parties which may result from its use.

CUI Devices products are not authorized or warranted for use as critical components in equipment that requires an extremely high level of reliability. A critical component is any component of a life support device or system whose failure to perform can be reasonably expected to cause the failure of the life support device or system, or to affect its safety or effectiveness.

[cuidevices.com](http://cuidevices.com)