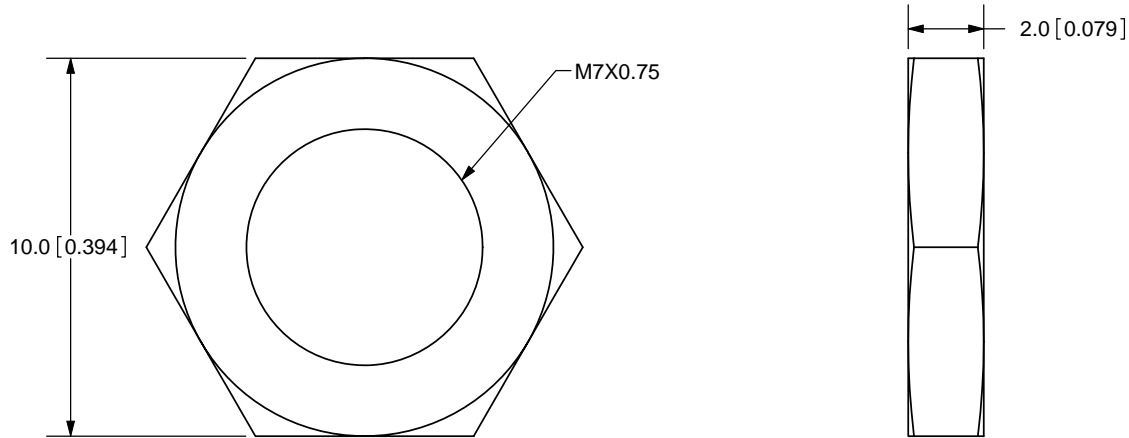


REV.	DESCRIPTION	DATE
A	NEW DRAWING	11/11/2009



TOLERANCE:
±0.1mm UNLESS OTHERWISE
SPECIFIED



CUI INC

20050 SW 112th Ave.
Tualatin, OR 97062
Phone: 503-612-2300
800-275-4899
Fax: 503-612-2383
Website: www.cui.com

TITLE: M7X0.75 NUT		REV: A
PART NO. SJ5-43502PM-nut		UNITS: MM [INCHES]
DRAWN BY: ZRJ	APPROVED BY:	SCALE: 5:1

PC FILE NAME:
SJ5-43502PM-nut

COPYRIGHT 2009
BY CUI INC.

	MATERIAL	PLATING	COLOR
BODY	Steel	Nickel	Silver