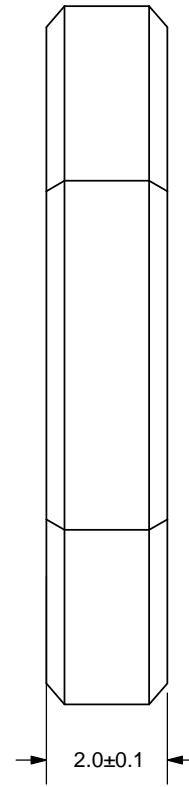
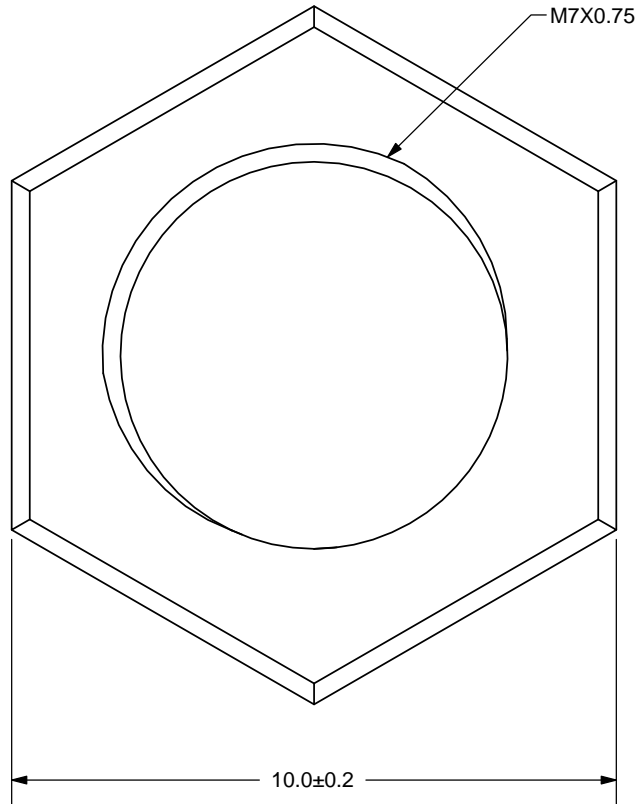


| REV. | DESCRIPTION | DATE |
|------|-----------------|------------|
| A | INITIAL RELEASE | 10/15/2014 |



TOLERANCE:
±0.2mm
UNLESS OTHERWISE
SPECIFIED



CUI INC

20050 SW 112th Ave.
Tualatin, OR 97062
Phone: 503-612-2300
800-275-4899
Fax: 503-612-2383
Website: www.cui.com

| | | |
|--------------------------|-----------------|---------------|
| TITLE: M7X0.75 NUT | | REV: A |
| PART NO. SJ1-43502PM-NUT | UNITS: MM | |
| MATERIAL: Brass | PLATING: Nickel | DRAWN BY: RDS |
| APPROVED BY: | | SCALE: 8:1 |

PC FILE NAME:
SJ1-43502PM-NUT

COPYRIGHT 2014 BY CUI INC.