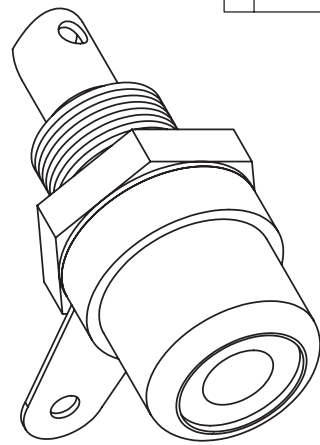
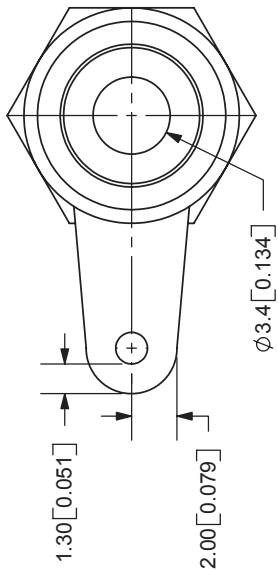
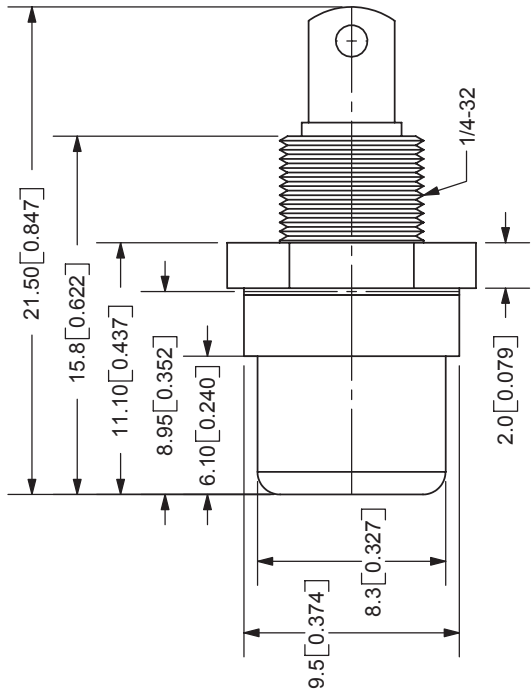


| | | |
|------|-------------|-----------|
| REV. | DESCRIPTION | DATE |
| A | NEW DRAWING | 4/11/2006 |



| COLOR INDEX | |
|-------------|--------|
| PART NO. | COLOR |
| RCJ-031 | Black |
| RCJ-032 | Red |
| RCJ-033 | White |
| RCJ-034 | Yellow |
| RCJ-035 | Blue |
| RCJ-036 | Green |
| RCJ-037 | Orange |

| | |
|-----------|---------|
| MODEL NO. | RCJ-03X |
| SCHEMATIC | |

| MATERIAL | PLATING |
|----------|-----------------|
| Brass | Nickel |
| Brass | Nickel |
| Brass | Nickel |
| Brass | Nickel |
| PBT | See Color Index |
| PBT | See Color Index |

SPECIFICATIONS:
 CONTACT RESISTANCE: 30m OHMS MAX
 INSULATION RESISTANCE: 100M OHMS MIN: 500V DC
 VOLTAGE WITHSTAND: 500V AC R.M.S. FOR 1 MINUTE
 LIFE: 5,000 CYCLES
 OPERATING TEMP: -20° ~ +85°C

PC FILE NAME: RCJ-03X

COPYRIGHT 2006 BY CUI INC.

TOLERANCE: ±0.3mm UNLESS OTHERWISE SPECIFIED

9615 SW Allen Blvd., Ste. 103
 Beaverton, OR 97005
 Phone: 503-643-4899
 800-275-4899
 Fax: 503-372-1266
 Website: www.cui.com

| | | | |
|-----------|-----------------------------|--------------|-------------|
| TITLE: | RCJ JACK, PANEL MOUNT W/NUT | REV: | A |
| PART NO: | RCJ-03X | UNITS: | MM [INCHES] |
| DRAWN BY: | ZRJ | APPROVED BY: | |
| | | SCALE: | 3:1 |