

MODEL: PJ-037A | **DESCRIPTION:** DC POWER JACK

FEATURES

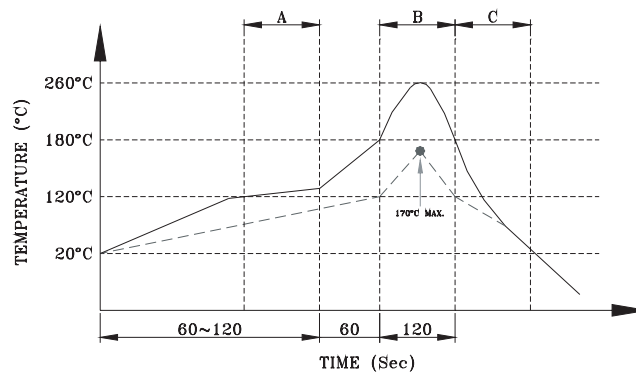
- 2.0 mm center pin
- 2.5 A rating
- right angle orientation
- through hole


SPECIFICATIONS

parameter	conditions/description	min	typ	max	units
rated input voltage			24		Vdc
rated input current				2.5	A
contact resistance	between terminal and mating plug between terminal in a closed circuit			100 30	mΩ mΩ
insulation resistance	at 500 Vdc	100			MΩ
voltage withstand	for 1 minute			500	Vac
insertion/withdrawal force		0.3		2	kg
operating temperature		-25		85	°C
life			5,000		cycles
flammability rating	UL94V-0				
RoHS	yes				

SOLDERABILITY

parameter	conditions/description	min	typ	max	units
wave soldering	for max 5 seconds	255	260	265	°C

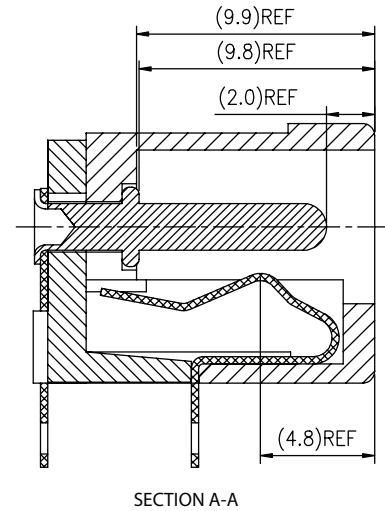
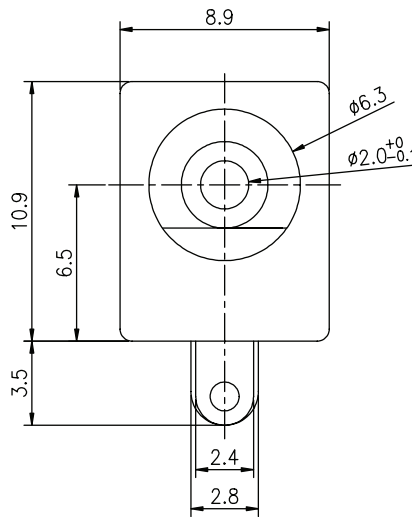
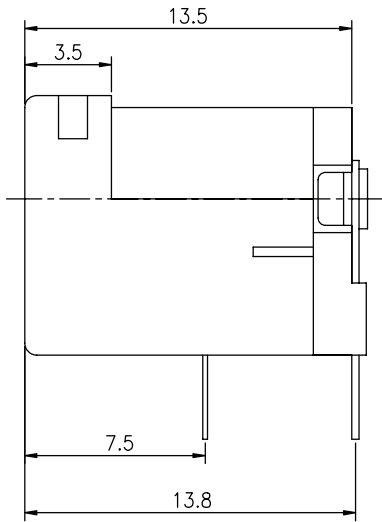


- A. Preheating
 B. Soldering
 C. Cooling
- Pin Temperature
 - - - Component Temperature

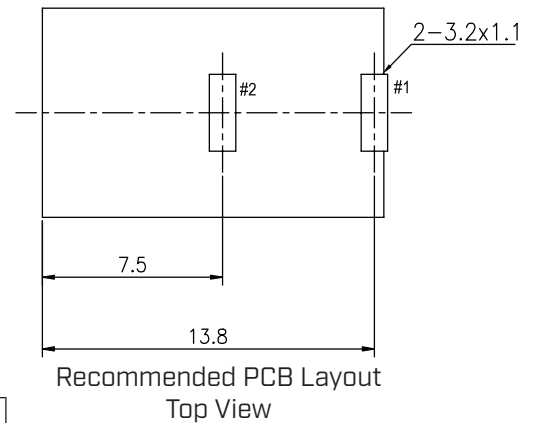
MECHANICAL DRAWING

units: mm
 tolerance:
 X.X ±0.20 mm
 X.XX ±0.15 mm
 X.XXX ±0.10 mm
 PCB: ±0.05 mm
 unless otherwise specified

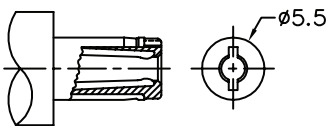
DESCRIPTION	MATERIAL	PLATING/COLOR
center pin	copper alloy	nickel
terminal 1	brass t=0.3 mm	nickel-silver
terminal 2	phosphor bronze t=0.3 mm	nickel-silver
housing	PBT (UL94V-0)	black
cover	PBT (UL94V-0)	black



SECTION A-A



Recommended PCB Layout
Top View



MATING PLUG
Jack Insertion Depth: 9.8 mm

SCHEMATIC	
Model	PJ-037A
Center Pin	∅2.0 mm

REVISION HISTORY

rev.	description	date
1.0	initial release	07/30/2007
1.01	cut away area modified	08/28/2008
1.02	added dimensions	06/23/2011
1.03	applied new spec template	01/17/2014
1.04	increased voltage rating	04/08/2016
1.05	brand update	10/28/2019
1.06	logo, datasheet style update	08/05/2022
1.07	product reengineered for improved manufacturability and production yield, see PCN for details	02/23/2023

The revision history provided is for informational purposes only and is believed to be accurate.



CUI Devices offers a one (1) year limited warranty. Complete warranty information is listed on our website.

CUI Devices reserves the right to make changes to the product at any time without notice. Information provided by CUI Devices is believed to be accurate and reliable. However, no responsibility is assumed by CUI Devices for its use, nor for any infringements of patents or other rights of third parties which may result from its use.

CUI Devices products are not authorized or warranted for use as critical components in equipment that requires an extremely high level of reliability. A critical component is any component of a life support device or system whose failure to perform can be reasonably expected to cause the failure of the life support device or system, or to affect its safety or effectiveness.

cuidevices.com