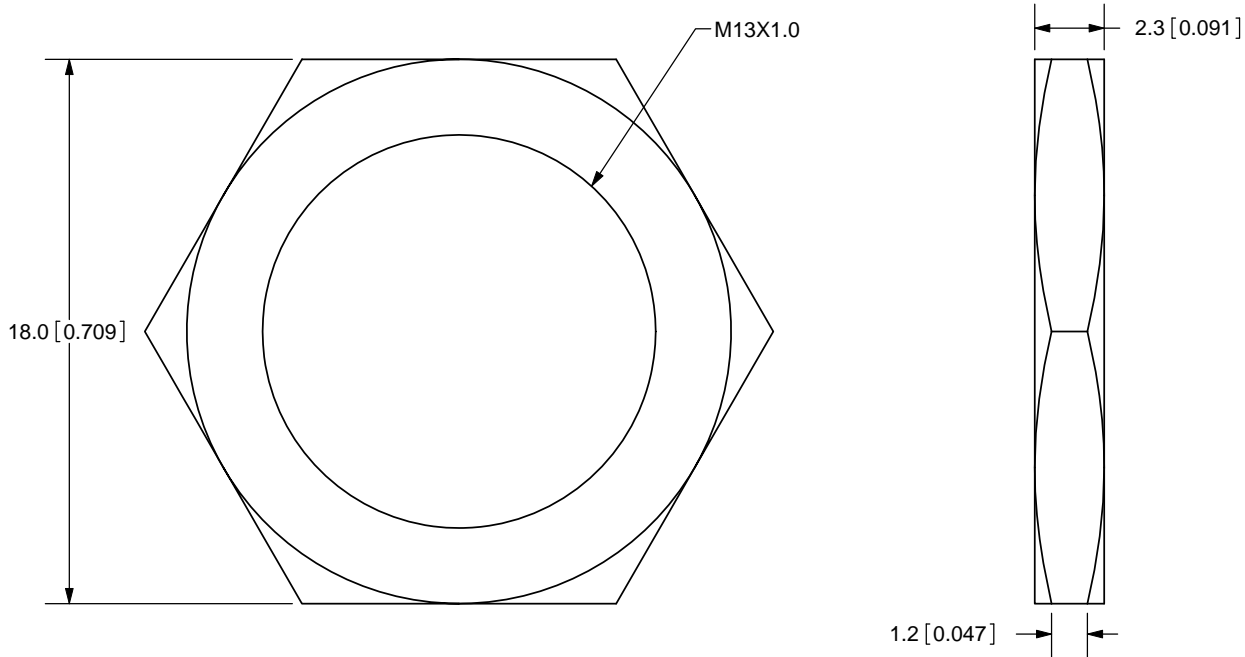


REV.	DESCRIPTION	DATE
A	NEW DRAWING	11/11/2009



TOLERANCE:  
±0.1mm UNLESS OTHERWISE  
SPECIFIED



**CUI INC**

20050 SW 112th Ave.  
Tualatin, OR 97062  
Phone: 503-612-2300  
800-275-4899  
Fax: 503-612-2383  
Website: www.cui.com

TITLE: M13X1.0 NUT		REV: A
PART NO. PJ-011X-nut		UNITS: MM [INCHES]
DRAWN BY: ZRJ	APPROVED BY:	SCALE: 4:1

PC FILE NAME:  
PJ-011X-nut

COPYRIGHT 2009  
BY CUI INC.

	MATERIAL	PLATING	COLOR
NUT	Brass	Nickel	Silver