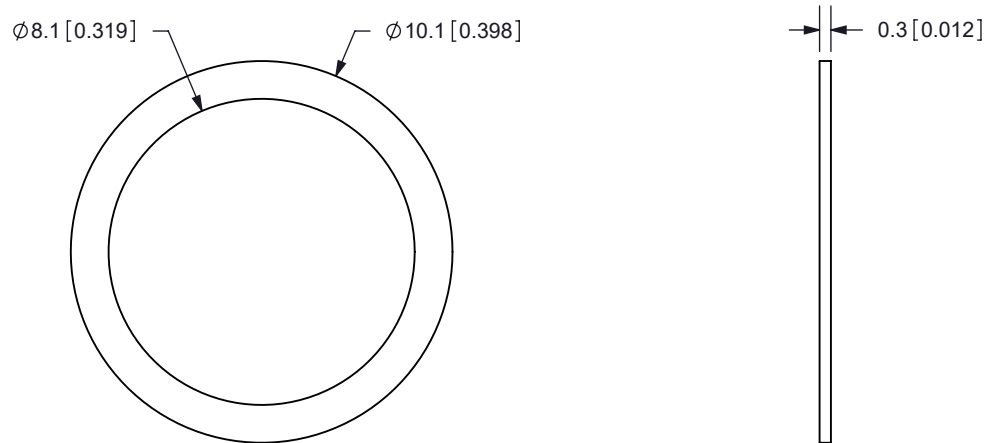
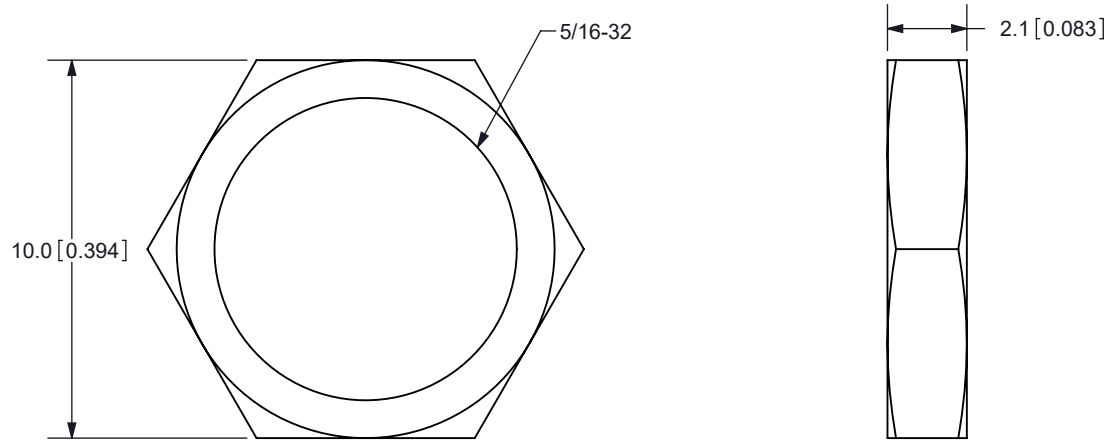


REV.	DESCRIPTION	DATE
A	NEW DRAWING	11/11/2009
B	CORRECTED THREAD SIZE	9/11/2015
C	BRAND UPDATE	1/6/2022



TOLERANCE:  
±0.1 MM  
UNLESS OTHERWISE  
SPECIFIED



**CUI DEVICES**

6405 SW Rosewood St, Suite C  
Lake Oswego, OR 97035  
Phone: 877-323-3576

Website: [www.cuidevices.com](http://www.cuidevices.com)

TITLE: 5/16-32 NUT		REV: C
PART NO. PJ-005X-HDW		UNITS: MM
DRAWN BY: RDS	APPROVED BY:	SCALE: 5:1

PC FILE NAME:  
PJ-005X-HDW

COPYRIGHT 2020 BY CUI DEVICES

	MATERIAL	PLATING	COLOR
NUT	Brass	Nickel	Silver
WASHER	Steel	Nickel	Silver