

MODEL: PDP-40 | **DESCRIPTION:** POWER DIN PLUG**FEATURES**

- 4 pin power DIN plug
- modular connector
- cable mount

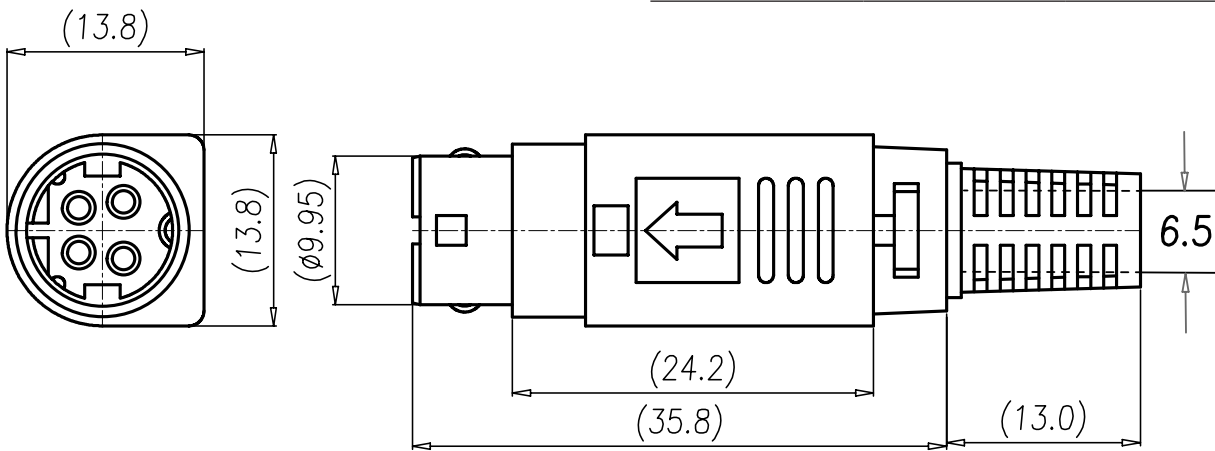
**SPECIFICATIONS**

parameter	conditions/description	min	typ	max	units
rated input voltage			20		Vdc
rated input current	pins 1~4			7.5	A
insulation resistance	at 250 Vdc	50			MΩ
voltage withstand	for 1 minute			250	Vac
insertion force				45	N
withdrawal force		9		30	N
operating temperature		-20		85	°C
life			1,000		cycles
flammability rating	UL94V-0				
RoHS	yes				

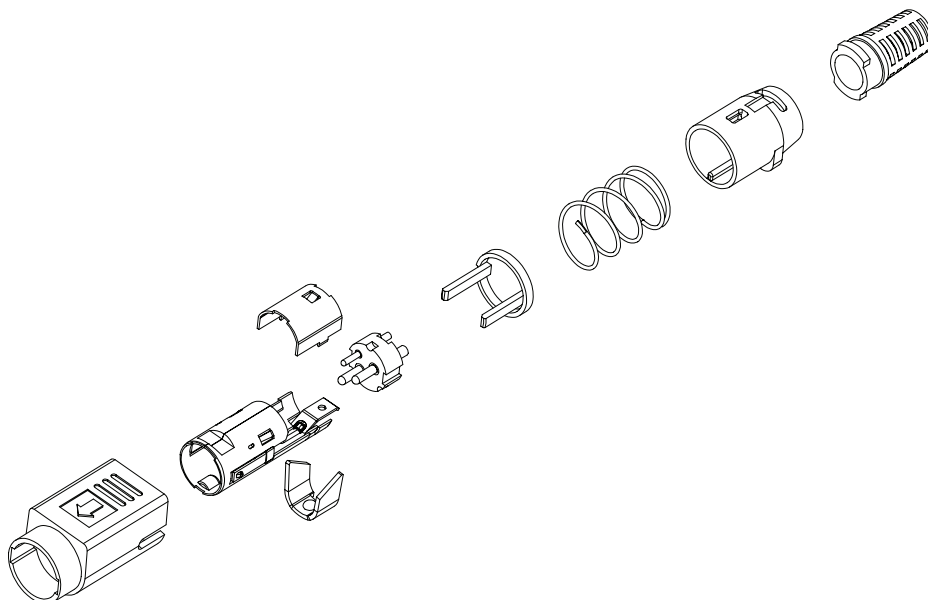
MECHANICAL DRAWING

units: mm
 tolerance:
 X.X ±0.20 mm
 X.XX ±0.10 mm
 X.XXX ±0.05 mm
 X.XXXX ±0.03 mm

	MATERIAL	PLATING
housing	PBT (UL94V-0)	
contacts	copper alloy	silver
plastic cover	ABS	
metal shell	copper alloy	nickel
metal cap	copper alloy	nickel
cable fixer	copper alloy	tin
ring	POM	
spring	steel	nickel
plastic tube	ABS	
SR	PVC	



ASSEMBLY INSTRUCTION



REVISION HISTORY

rev.	description	date
1.0	initial release	12/01/2008
1.01	updated housing, brand update	10/14/2019

The revision history provided is for informational purposes only and is believed to be accurate.

CUI DEVICES

CUI Devices offers a one (1) year limited warranty. Complete warranty information is listed on our website.

CUI Devices reserves the right to make changes to the product at any time without notice. Information provided by CUI Devices is believed to be accurate and reliable. However, no responsibility is assumed by CUI Devices for its use, nor for any infringements of patents or other rights of third parties which may result from its use.

CUI Devices products are not authorized or warranted for use as critical components in equipment that requires an extremely high level of reliability. A critical component is any component of a life support device or system whose failure to perform can be reasonably expected to cause the failure of the life support device or system, or to affect its safety or effectiveness.