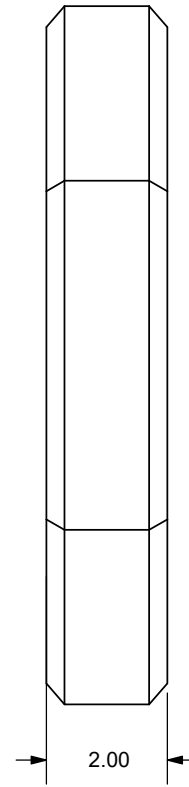
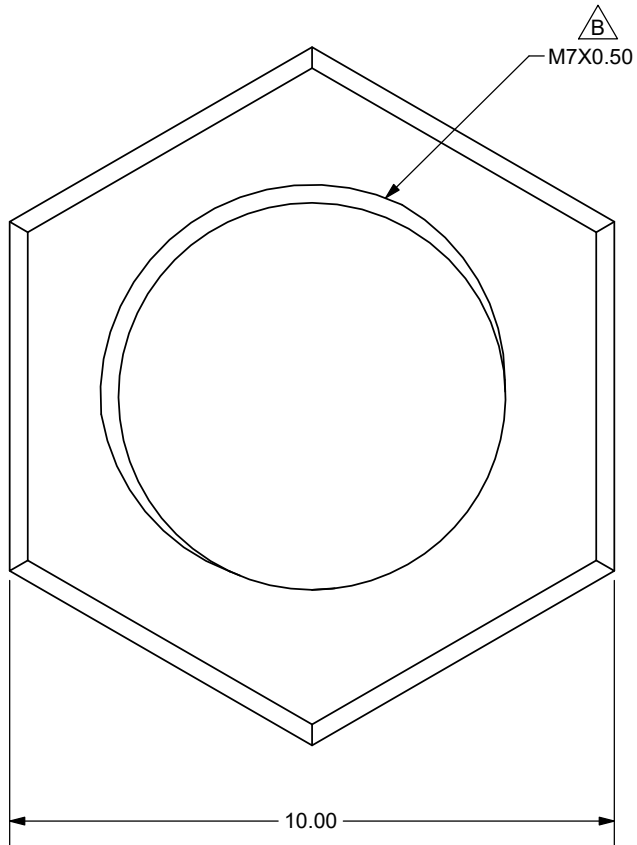


REV.	DESCRIPTION	DATE
A	INITIAL RELEASE	10/15/2014
B	PRODUCT REENGINEERED FOR IMPROVED MANUFACTURABILITY AND PRODUCT YIELD, SEE PCN FOR DETAILS	07/25/2023



TOLERANCE:  
±0.2 MM  
UNLESS OTHERWISE  
SPECIFIED



  
**CUI DEVICES**  
 6405 SW Rosewood St, Suite C  
 Lake Oswego, OR 97035  
 Phone: 877-323-3576  
 Website: [www.cuidevices.com](http://www.cuidevices.com)

TITLE: M7X0.50 NUT		REV: B
PART NO. SJ1-43502PM-NUT	UNITS: MM	
MATERIAL: Brass	PLATING: Nickel	DRAWN BY: RDS
APPROVED BY:		SCALE: 8:1

PC FILE NAME:  
SJ1-43502PM-NUT

COPYRIGHT 2023 BY CUI DEVICES

MATERIAL	PLATING	DRAWN BY:	APPROVED BY:	SCALE:
Brass	Nickel	RDS		8:1