

MODEL: GF1103 | **DESCRIPTION:** SPEAKER

FEATURES

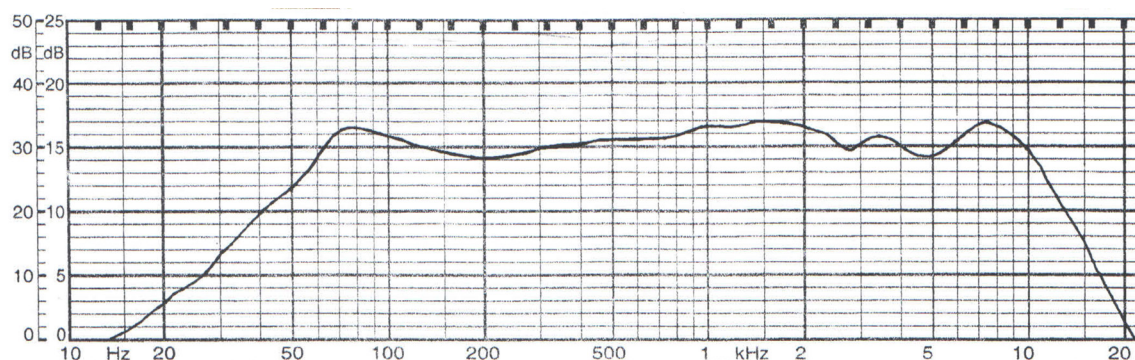
- 114 mm
- square frame
- 25.0 W
- 8 Ohm
- ferrite magnet
- paper cone


SPECIFICATIONS

parameter	conditions/description	min	typ	max	units
nominal size			114		mm
impedance	at 400 Hz, 1 V	6.8	8	9.2	Ω
resonant frequency	at Fo, 1 V	64	80	96	Hz
sound pressure level	1 W, 50 cm ave., at 0.3, 0.4, 0.5, 0.6 kHz	87	90	93	dB
response		Fo		15,000	Hz
input power			25	30	W
operation	must be normal at program source		25		W
buzz, rattle, etc.	must be normal at sine wave		10		V
magnet	size: 70 x 32 x 10, Ferrite				mm
load test	24 hours of white noise at		25		W
heat test	20 ~ 50% RH for 24 hours	68	70	72	$^{\circ}$ C
humidity test	90 ~ 95% RH for 24 hours	38	40	42	$^{\circ}$ C
RoHS	yes				

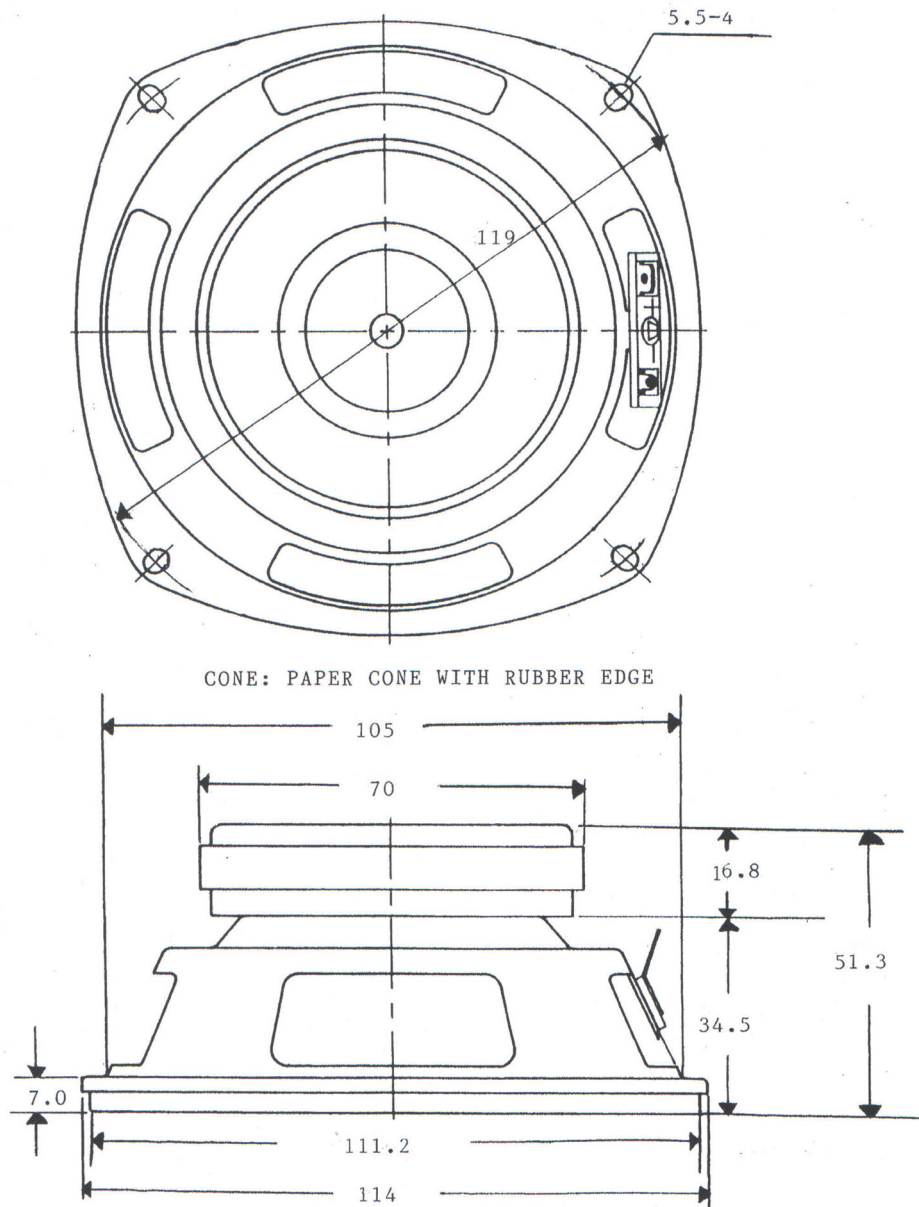
FREQUENCY RESPONSE CURVE

parameter	conditions/description
potentiometer range	50 dB
rectifier	RMS
lower limit frequency	20 Hz
wr. speed	100 mm/sec
zero level	60 dB



MECHANICAL DRAWING

units: mm
tolerance: ± 0.8 mm



REVISION HISTORY

rev.	description	date
1.0	initial release	01/17/2003
1.01	applied new template, updated spec	05/12/2014
1.02	brand update	01/23/2020
1.03	logo, datasheet style update	08/05/2022

The revision history provided is for informational purposes only and is believed to be accurate.



CUI Devices offers a one (1) year limited warranty. Complete warranty information is listed on our website.

CUI Devices reserves the right to make changes to the product at any time without notice. Information provided by CUI Devices is believed to be accurate and reliable. However, no responsibility is assumed by CUI Devices for its use, nor for any infringements of patents or other rights of third parties which may result from its use.

CUI Devices products are not authorized or warranted for use as critical components in equipment that requires an extremely high level of reliability. A critical component is any component of a life support device or system whose failure to perform can be reasonably expected to cause the failure of the life support device or system, or to affect its safety or effectiveness.

cuidevices.com