

MODEL: GF0779TV | **DESCRIPTION:** SPEAKER

FEATURES

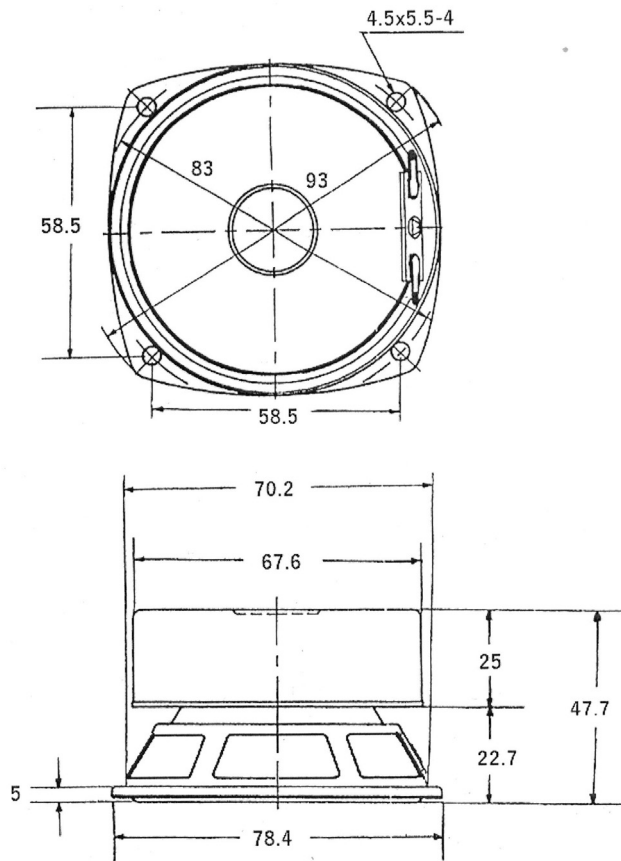
- ferrite magnet
- paper cone
- SPL 94 dB


SPECIFICATIONS

parameter	conditions/description	min	typ	max	units
input power			6	10	W
impedance		6.8	8	9.2	Ω
resonant frequency (Fo)		120	150	180	Hz
frequency response		Fo		18,000	Hz
sound pressure level	at 1.0 W, 50 cm, avg 1.0, 1.4, 1.7, 2.0 kHz	91	94	97	dB
distortion	at 1.0 kHz, 1.0 w			10	%
buzz, rattle, etc.	must be normal at sine wave			6.92	V
dimensions	78.4 x 47.7				mm
magnet	ferrite				
cone material	paper				
terminal	solder eyelets				
weight			361		g
operating temperature		-25		60	$^{\circ}\text{C}$
hand soldering	for maximum 5 seconds	400	420	440	$^{\circ}\text{C}$
RoHS	yes				

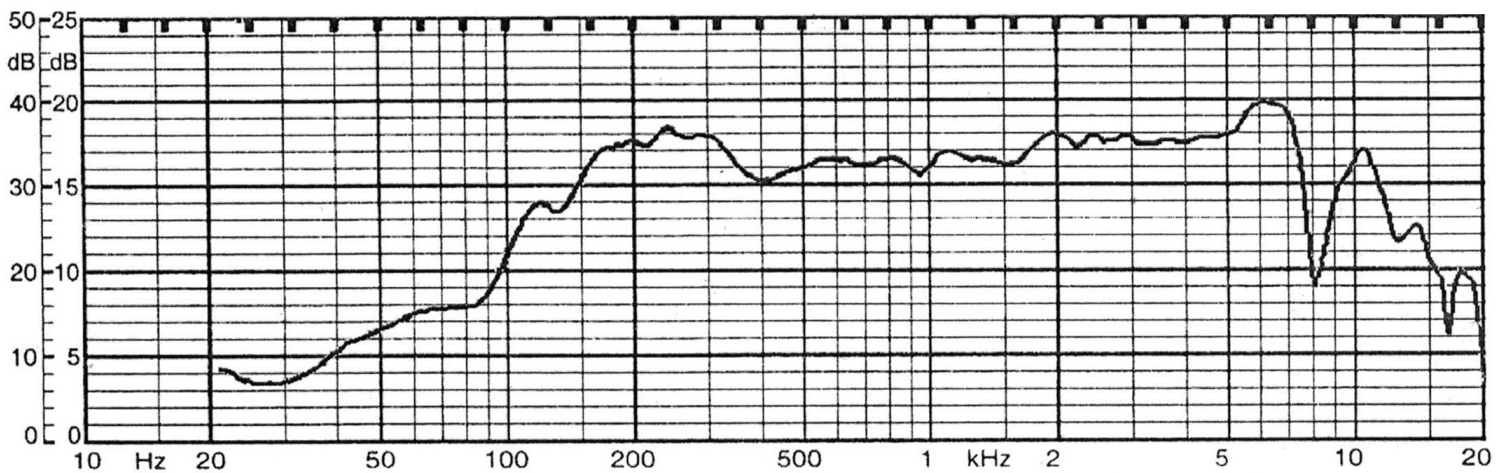
MECHANICAL DRAWING

units: mm
tolerance: ±0.5 mm



FREQUENCY RESPONSE CURVE

parameter	conditions/description
potentiometer range	50 dB
rectifier	RMS
lower limit frequency	20 Hz
wr. speed	100 mm/sec
zero level	60 dB



REVISION HISTORY

rev.	description	date
1.0	initial release	03/12/2003
1.01	tooling changed, resonant frequency, SPL, and dimensions changed	05/02/2019
1.02	brand update	01/23/2020
1.03	logo, datasheet style update	08/05/2022

The revision history provided is for informational purposes only and is believed to be accurate.



CUI Devices offers a one (1) year limited warranty. Complete warranty information is listed on our website.

CUI Devices reserves the right to make changes to the product at any time without notice. Information provided by CUI Devices is believed to be accurate and reliable. However, no responsibility is assumed by CUI Devices for its use, nor for any infringements of patents or other rights of third parties which may result from its use.

CUI Devices products are not authorized or warranted for use as critical components in equipment that requires an extremely high level of reliability. A critical component is any component of a life support device or system whose failure to perform can be reasonably expected to cause the failure of the life support device or system, or to affect its safety or effectiveness.

cuidevices.com