

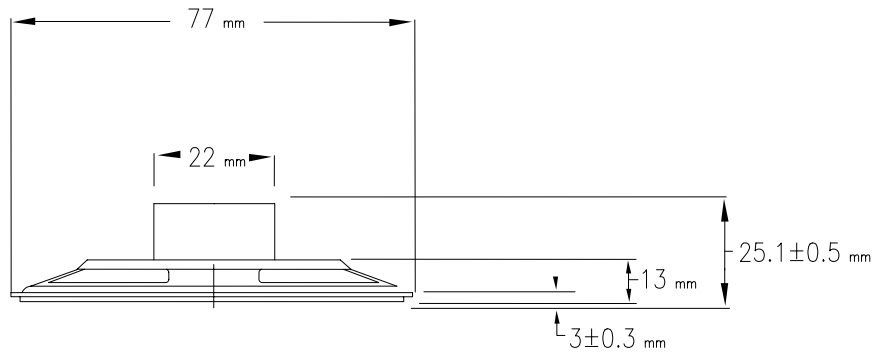
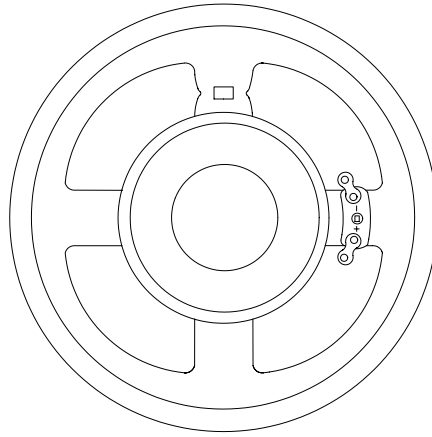

CUI STACK

9615 SW Allen, Suite 103
 Beaverton, OR 97005
 Phone: (503) 643-4899
 800-275-4899
 Fax: (503) 372-1266
 Website: www.cuistack.com

Specifications

1	Part No.	GA0771			
2	Nominal Size	77 mm.	3"	inch	
3	Impedance	8 $\Omega \pm 15\%$	at	800 Hz.	1 V.
4	Resonance	100 Hz. \pm 38 Hz.		F0 Hz.	1 V.
5	S.P. Level	90 dB/w \pm 3 dB		1 w. 50 cm. average at	
6	Response	fo Hz. \sim 3.2K Hz. MAX 10dB		500, 800, 900, 1K Hz.	
7	Crossover Freq.	Hz.	Hz.	dB/OCT	Net work
8	Input Power	Nominal Input	1 w.	Handling Capacity	2 w.
9	Operation	Must be normal at program source			1 w.
10	Buzz, Rattle, etc.	Must be normal at sine wave			2.83 v.
11	Flux Density	Gauss \pm 10%			
12	Total Flux	Max well min			
13	Magnet	Size	13 x 10 mm	gr	oz
14	Total Weight				gr oz
15	Load Test	After test meet item 9 and 10	White noise	1 W.	5 Hours
16	Distortion	% MAX			Hz W.
17	Heat Test	After test meet item 9 and 10	70 \pm 2 \pm °C	20-50 %R.H.	5 Hours
18	Humidity Test	After test meet item 9 and 10	40 \pm 2 \pm °C	90-95 %R.H.	5 Hours

PART NO.	GA0771	UNITS:	mm
DRAWN BY:		PAGE NO:	1 of 2



CUI STACK

9615 SW Allen, Suite 103
 Beaverton, OR 97005
 Phone: (503) 643-4899
 800-275-4899
 Fax: (503) 643-6129
 Website: www.cuistack.com

TITLE:	
PART NO.	UNITS:
GA0771	mm
DRAWN BY:	Page No.
	2 of 2