



Part No: GA0381

Date: 9/28/2006

Unit: mm

Description: speaker

Page No: 1 of 2

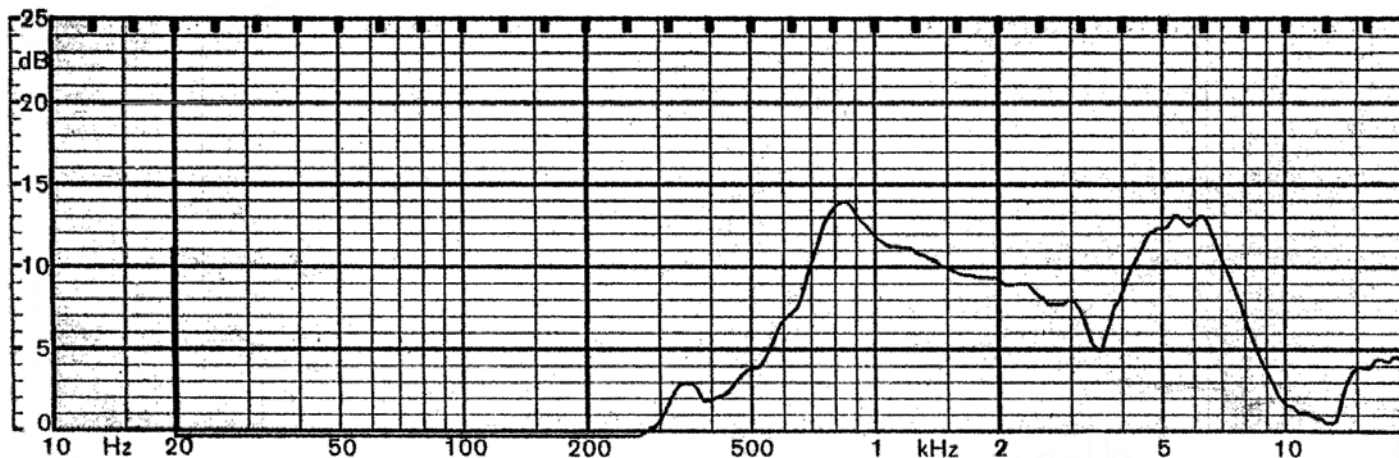


## Specifications

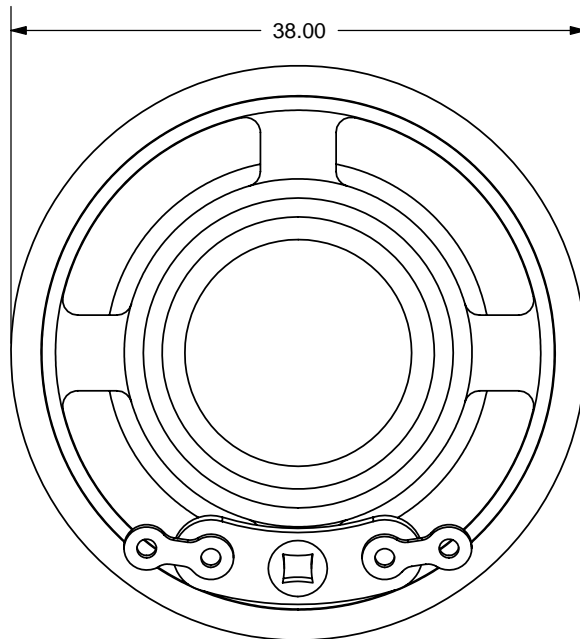
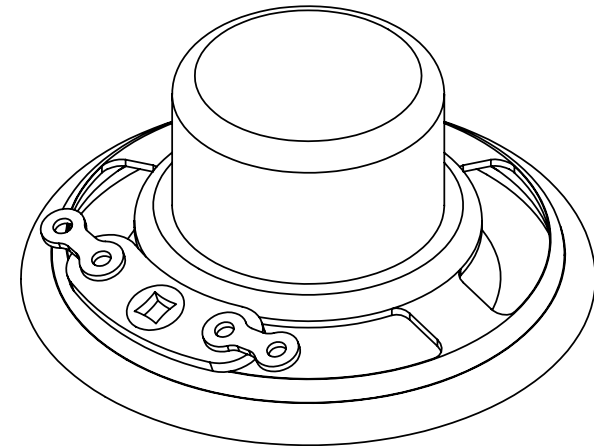
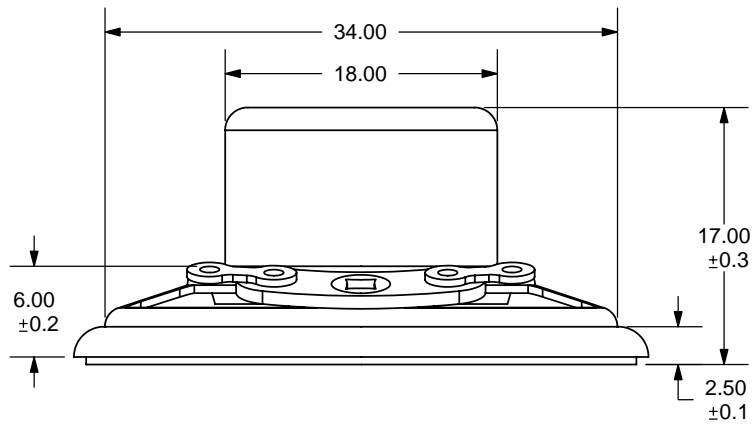
Nominal Size	38 mm (4.00 in)	(See attached drawing)
Impedance	8 Ohm $\pm$ 15%	at 800 Hz 1 V
Resonant frequency	800 Hz $\pm$ 160 Hz	at 1 V
Sound pressure level	80 dB/w $\pm$ 3 dB	0.1 w 50 cm ave. at 1.0K, 1.3K, 1.5K, 1.7K Hz
Response	Fo Hz ~8.5 KHz max 10 dB	
Input power	Nominal 0.1 W	Handling capacity 0.3 W
Operation	must be normal at program source 0.1 W	
Buzz, rattle, etc.	must be normal at sine wave 0.89 V	
Magnet	Size: 13 x 10 mm	
Load test	White noise 0.1 W	for 5 hours
Heat test	70 $\pm$ 2° C	20-50% R.H. 5 hours
Humidity test	40 $\pm$ 2° C	90-95% R.H. 5 hours

## Frequency Response Curve

Potentiometer range	50 dB
Rectifier	RMS
Lower limit frequency	20 Hz
Wr. speed	100 mm/sec

Zero level 60 dB

REV.	DESCRIPTION	DATE
A	NEW DRAWING	9/15/2006



TOLERANCE:  
 ±0.5mm UNLESS OTHERWISE  
 SPECIFIED



20050 SW 112th Ave.  
 Tualatin, OR 97062  
 Phone: 503-643-4899  
 800-275-4899  
 Fax: 503-372-1266  
 Website: www.cui.com

TITLE: Round frame paper cone - alnico magnet		REV: A
PART NO. GA0381	UNITS: MM [INCHES]	
DRAWN BY: ZRJ	APPROVED BY:	SCALE: 2:1

PC FILE NAME:  
 GA0381

COPYRIGHT 2006 BY CUI INC.