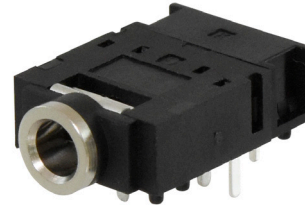
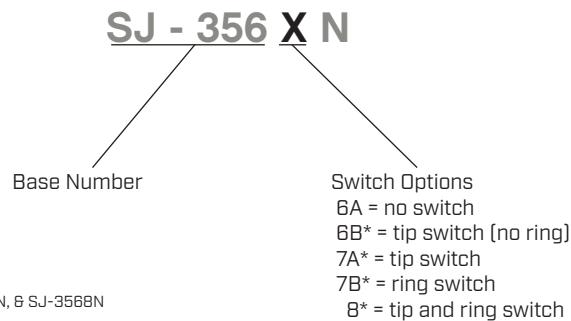


SERIES: SJ-356XN | **DESCRIPTION:** AUDIO JACK**FEATURES**

- low profile design
- switch options include:
 - no switch
 - tip switch
 - ring switch
 - tip and ring switch

**PART NUMBER KEY**

Notes: *Discontinued models SJ-3567AN, SJ-3567BN, SJ-3566BN, & SJ-3568N

SPECIFICATIONS

| parameter | conditions/description | min | typ | max | units |
|----------------------------|---|-----|-------|----------|----------|
| rated input voltage | | | 12 | | Vdc |
| rated input current | | | | 1 | A |
| contact resistance | between terminal and mating plug between terminal in a closed circuit ¹ | | | 50 30 | mΩ mΩ |
| insulation resistance | at 500 Vdc | 100 | | | MΩ |
| voltage withstand | at 50/60Hz for 1 minute | | | 500 | Vac |
| insertion/withdrawal force | | 0.3 | | 3 | kg |
| terminal strength | any direction for 10 seconds | | | 500 | g |
| operating temperature | | -40 | | 85 | °C |
| life | | | 5,000 | | cycles |
| flammability rating | UL94V-0 | | | | |
| RoHS | yes | | | | |

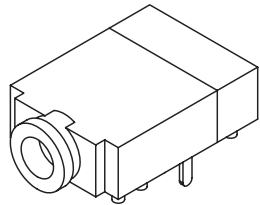
Note: 1. When measured at a current of less than 100 mA / 1 kHz

SOLDERABILITY

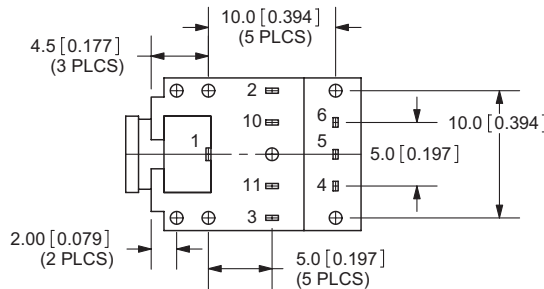
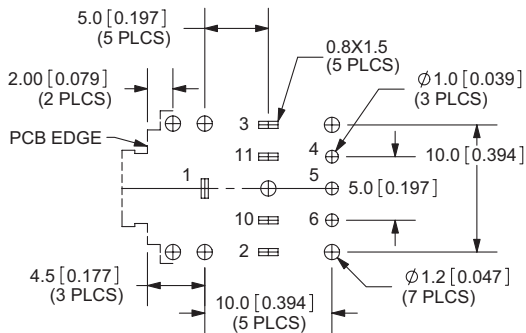
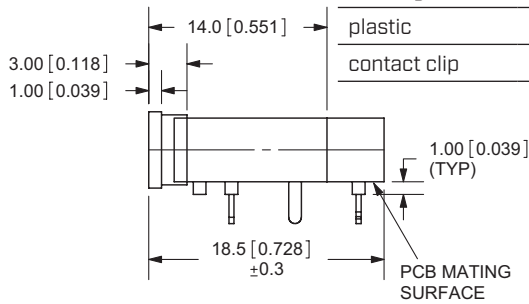
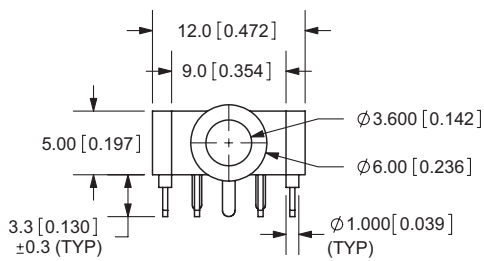
| parameter | conditions/description | min | typ | max | units |
|----------------|---|-----|-----|-----|-------|
| wave soldering | dipped in solder pot for 5±0.5 seconds at | 255 | 260 | 265 | °C |

MECHANICAL DRAWING

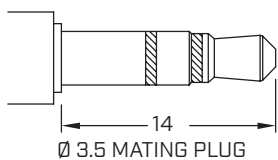
units: mm [inches]
 tolerance: X.X±0.5 mm
 X.XX±0.1 mm
 X.XXX±0.05 mm



| | MATERIAL | PLATING |
|--------------|-----------------|---------|
| terminal 1 | copper alloy | silver |
| terminal 2 | stainless steel | silver |
| terminal 3 | copper alloy | silver |
| terminal 4 | brass | silver |
| terminal 5 | brass | silver |
| terminal 6 | brass | silver |
| terminal 10 | brass | silver |
| terminal 11 | brass | silver |
| bushing | brass | nickel |
| plastic | PAB6 | |
| contact clip | C5210 | silver |



PCB LAYOUT TOP VIEW



| Model No. | SJ-3566AN | SJ-3566BN | SJ-3567AN | SJ-3567BN | SJ-3568N |
|-----------|-------------------|-------------------|-------------------|-------------------|-------------------|
| Schematic | | | | | |
| | | | | | |
| | Plug Not Inserted | Plug Not Inserted | Plug Not Inserted | Plug Not Inserted | Plug Not Inserted |
| | Plug Inserted | Plug Inserted | Plug Inserted | Plug Inserted | Plug Inserted |
| PIN | | | | | |
| 1 | sleeve | sleeve | sleeve | sleeve | sleeve |
| 2 | tip | tip | tip | tip | tip |
| 3 | ring | NP | ring | ring | ring |
| 10 | NP | tip switch | tip switch | NP | tip switch |
| 11 | NP | NP | NP | ring switch | ring switch |

Note: 1. All specifications measured at 10-35°C, humidity at 45-85%, under standard atmospheric pressure, unless otherwise noted.

REVISION HISTORY

| rev. | description | date |
|------|---|------------|
| 1.0 | initial release | 09/13/2006 |
| 1.01 | new template applied | 12/13/2011 |
| 1.02 | widened operating temperature range | 09/25/2013 |
| 1.03 | updated drawing | 02/20/2015 |
| 1.04 | changed material of terminal 2 to be stainless steel | 04/05/2016 |
| 1.05 | changed terminal plating to silver | 02/13/2019 |
| 1.06 | brand update | 10/10/2019 |
| 1.07 | discontinued models SJ-3567AN, SJ-3567BN, SJ-3566BN, & SJ-3568N; logo, datasheet style update | 08/15/2022 |

The revision history provided is for informational purposes only and is believed to be accurate.



CUI Devices offers a one (1) year limited warranty. Complete warranty information is listed on our website.

CUI Devices reserves the right to make changes to the product at any time without notice. Information provided by CUI Devices is believed to be accurate and reliable. However, no responsibility is assumed by CUI Devices for its use, nor for any infringements of patents or other rights of third parties which may result from its use.

CUI Devices products are not authorized or warranted for use as critical components in equipment that requires an extremely high level of reliability. A critical component is any component of a life support device or system whose failure to perform can be reasonably expected to cause the failure of the life support device or system, or to affect its safety or effectiveness.

cuidevices.com