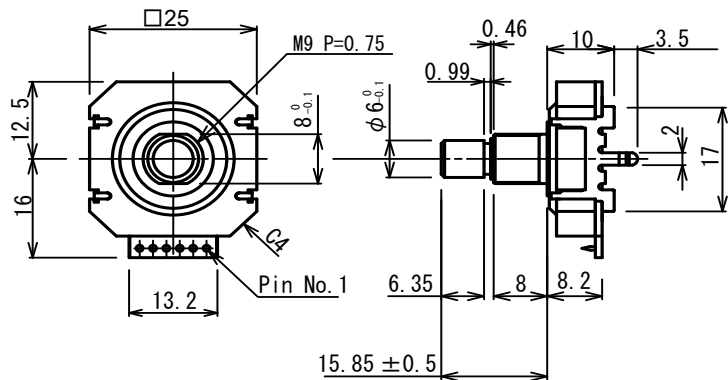
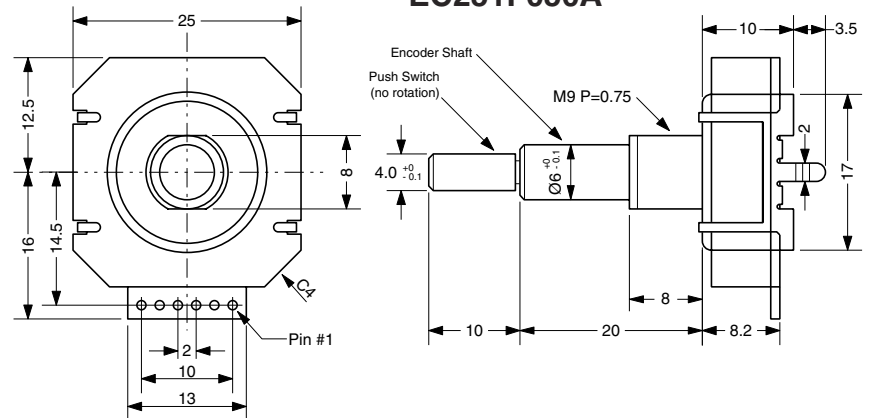


© CUI Devices, 2020

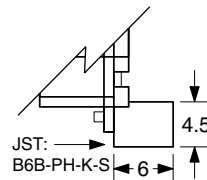
EC251E050A



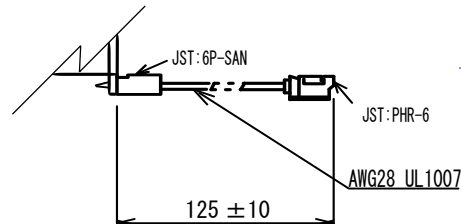
EC251F050A



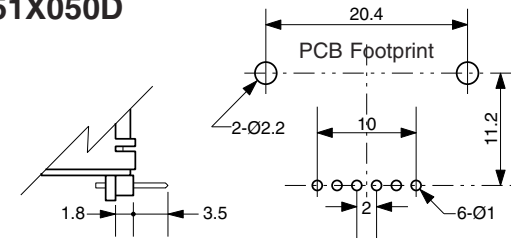
EC251X050B



EC251X050C



EC251X050D



SPECIFICATIONS

ELECTRICAL

1. Input Voltage: 5.0 VDC $\pm 5\%$
2. Resolution: 50PPR
3. Current Consumption: 30mA max.
4. Output Voltage: High: VCC-0.5Vmin
Low: 0.7Vmax
5. Max. Freq. Response: 100Hz

MECHANICAL

1. Max Shaft Load, radial: 1.0 kgf
axial: 1.0 kgf
2. Rotational Angle: 360° continuous
3. Detent Torque: 0.4 \pm 0.3 N-cm
4. Maximum Speed: 120 RPM
5. Rotational Life: 1,000,000 cycles

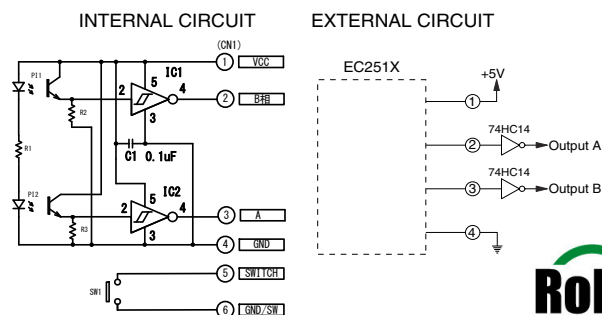
ENVIRONMENTAL

1. Operating Temp: 0° to +60° C
2. Storage Temp: -20° to +80° C
3. Humidity: 85% RH, no condensation
4. Vibration: 10 - 55 Hz, 1.5 mm, 2 hrs
5. Shock: 50G, 6ms, 3 axes, 3 reps

PUSH SWITCH

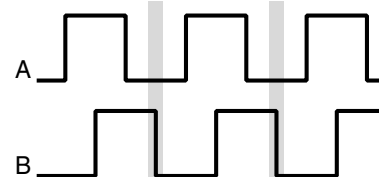
1. Rating: 12VDC, 50mA
2. Contact Resistance: 200m Ω max.
3. Insulation Resistance: 100M Ω min.
4. Voltage Withstand: 250VAC, 1 min.
5. Operating Force: 306~612gf
6. Travel: 0.7mm \pm 0.3mm
7. Bounce: 10ms
8. Life: 1,000,000 cycles

OUTPUT CIRCUIT



LOGIC PATTERN

(Clockwise rotation viewed from front) ←
Detent Position



ORDERING INSTRUCTIONS

EC251X050XX

Shaft style:

- E = Single shaft
- F = Dual concentric shaft

Termination options:

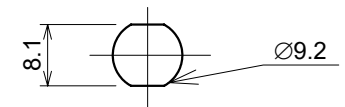
- A = Solder holes
- B = Connector
- C = Cable
- D = PC board mount

Jumper:

- 1 = With JMP1
- 2 = Without JMP1

CUT-OUT DIMENSIONS

Mounting Panel Thickness:
1.6~2.0mm



CUI Devices
6405 SW Rosewood St, Suite C
Lake Oswego, OR 97035
www.cuidevices.com

DRAWN BY J RH	UPDATED 02/24/2021	CHECKED 02/24/2021	UNIT MM
PART NO. EC251X050XX			REV. C

