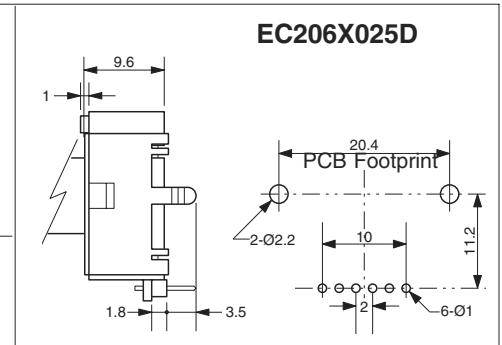
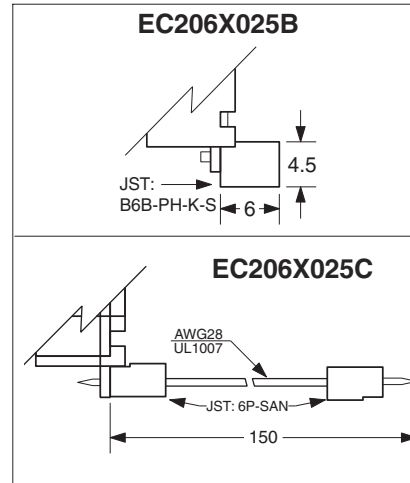
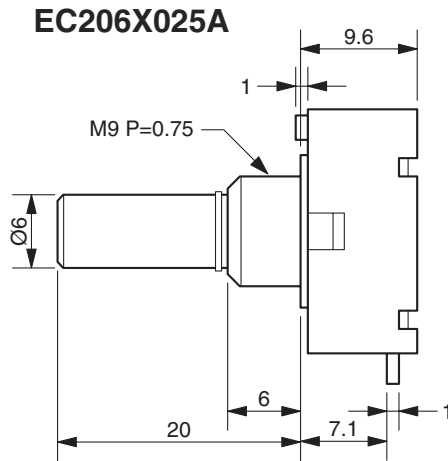
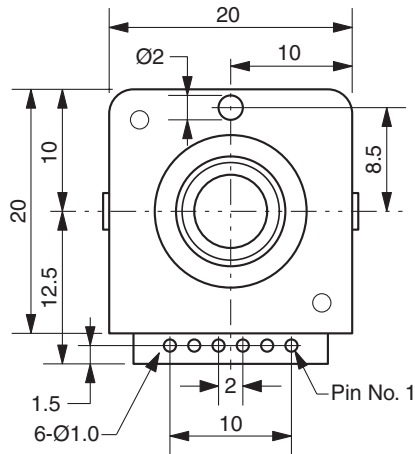


REV.	DESCRIPTION	DATE
A	NEW DRAWING	6/17/2008



SPECIFICATIONS

ELECTRICAL

1. Input Voltage: 5.0 VDC \pm 5%
2. Resolution: 25PPR
3. Current Consumption: 20mA max.
4. Output Voltage: High: VCC-0.5Vmin
Low: 0.7Vmax
5. Max. Freq. Response: 100Hz

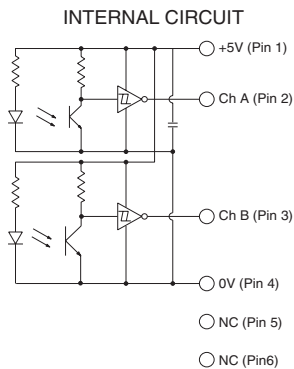
MECHANICAL

1. Max Shaft Load, radial: 1.0 kgf
axial: 1.0 kgf
2. Rotational Angle: 360° continuous
3. Detent Torque: 40 \pm 20 gf cm max.
4. Maximum Speed: 240RPM
5. Rotational Life: 1,000,000 cycles

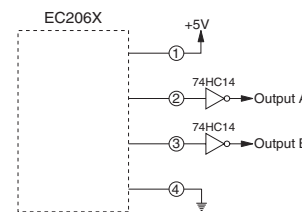
ENVIRONMENTAL

1. Operating Temp: 0° to +60° C
2. Storage Temp: -20° to +80° C
3. Humidity: 85% RH, no condensation
4. Vibration: 10 - 55 Hz, 1.5 mm, 2 hrs
5. Shock: 50G, 6ms, 3 axes, 3 reps

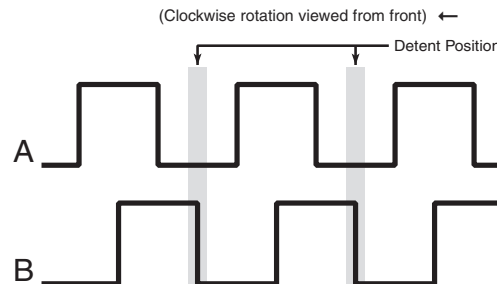
OUTPUT CIRCUIT



EXTERNAL CIRCUIT



OUTPUT WAVEFORM



ORDERING INSTRUCTIONS

EC206X025X

Detent:
A = Without detent
B = With detent

Termination options:
A = Solder holes
B = Connector
C = Cable
D = PC board mount



20050 SW 112th Ave.
Tualatin, OR 97062
Phone: 503-612-2300
800-275-4899
Fax: 503-612-2383
Website: www.cui.com

TITLE: optical encoder		REV: A
PART NO. EC206X025X		UNITS: MM
DRAWN BY: JRH	APPROVED BY:	SCALE:

