



## SERIES: TS24 | DESCRIPTION: TACTILE SWITCH

### FEATURES

- IP67
- blue or clear actuators



### SPECIFICATIONS

parameter	conditions/description	min	typ	max	units
rated voltage		1		12	Vdc
rated current		0.01		50	mA
withstanding voltage	for 1 minute		250		Vac
contact resistance	applying load of 2 times operating force at 5 Vdc, 10 mA			100	mΩ
insulation resistance	for 1 minute at 100 Vdc	100			MΩ
operating force	see force table				
actuator travel		0.35	0.50	0.165	mm
operating temperature		-30		80	°C
storage temperature		-40		90	°C
life	at 5 Vdc, 5 mA, 2 cycles/second, 1.5 times operating force		100,000		cycles
vibration	10~55~10 Hz, 1.5 mm amplitude, 2 hours on each XYZ				
flammability rating	see material table				
RoHS	yes				
IP level	IP67				

### PART NUMBER KEY

**TS24 - 62 - 14 - XX - XXX - SMT - TR - 67**

Base Number

Actuator Color:

CL = clear

BL = blue

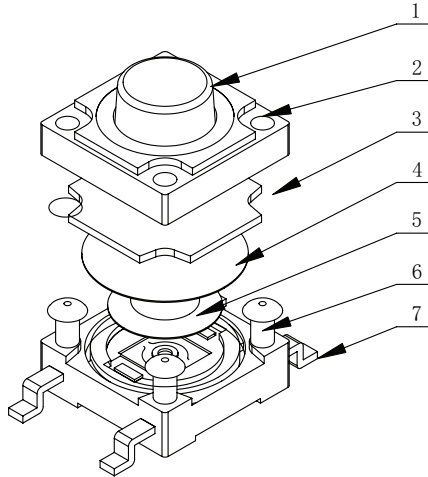
Push Force:

200 = 200 gf

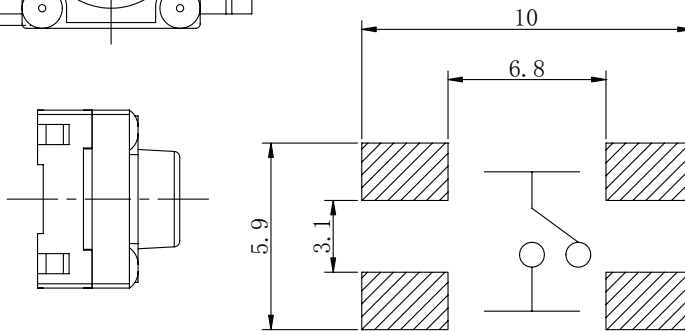
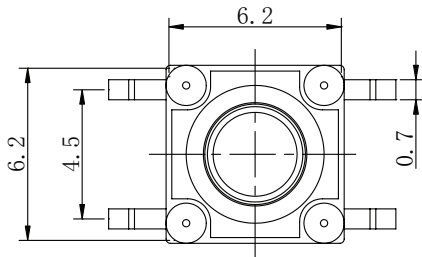
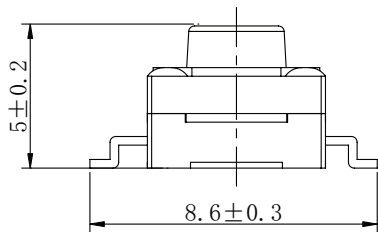
250 = 250 gf

## MECHANICAL DRAWING

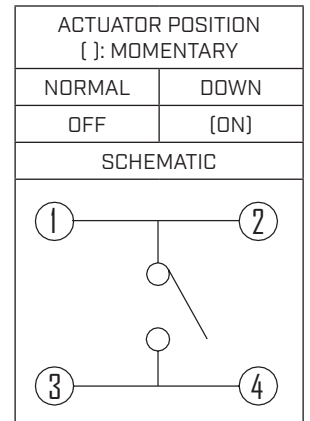
units: mm  
tolerance: ±0.2 mm  
unless otherwise noted



ITEM	DESCRIPTION	MATERIAL	PLATING/COLOR
1	stem	silica gel	
2	cover	PPA	black
3	waterproof gasket	silica gel	black
4	waterproof membrane	PI	yellow
5	contact	SUS	silver
6	case	PPA	black
7	terminal	brass	silver



Recommended PCB Layout  
Top View

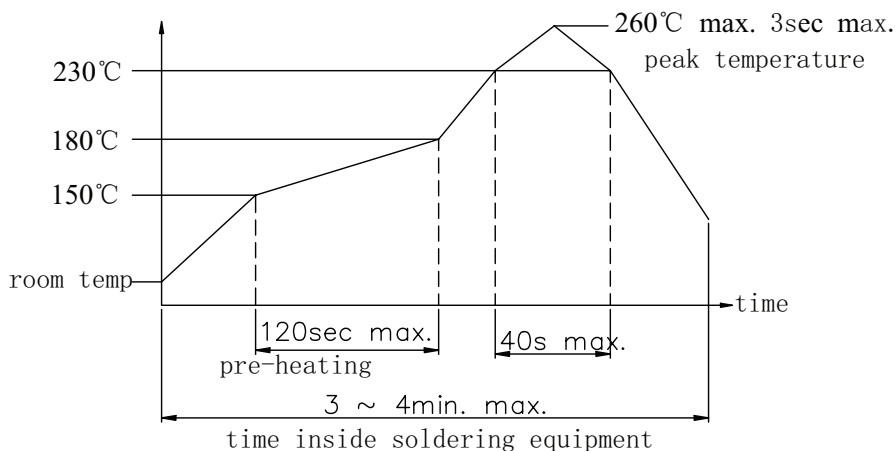


Operating Force Table		
Model	Press Force [gf]	Return Force [gf]
200	200±70	>20
250	250±70	>20

## SOLDERABILITY

parameter	conditions/description	min	typ	max	units
hand soldering	for maximum 3 seconds			350	°C
reel storage	-5~35°C, 25~80% humidity reel opened: use within 1 month reel unopened: use within 6 months				
reflow soldering	see reflow profile			260	°C

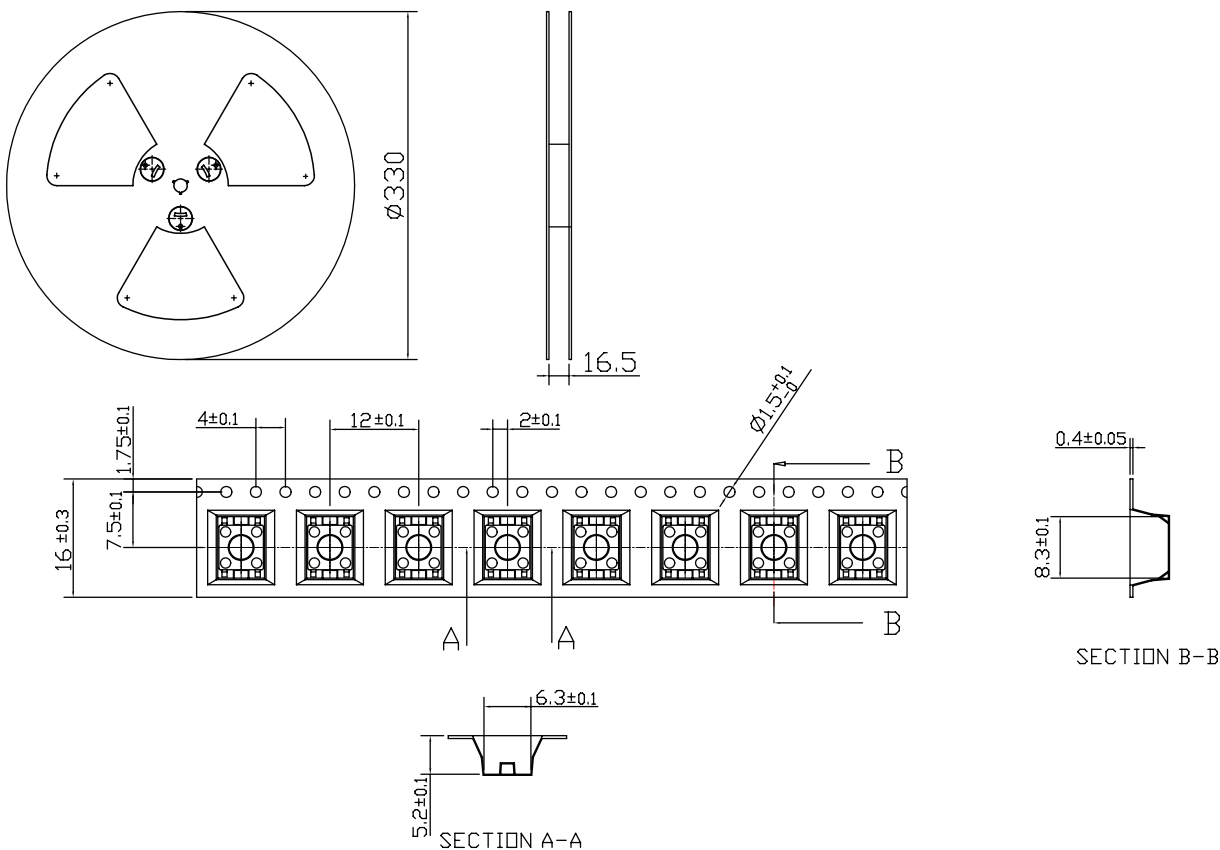
Note: 1. CUI Devices recommends usage of the product within 2 hours after T&R is opened. After 6 hours, CUI Devices recommends drying the parts prior to use.



## PACKAGING

units: mm

Reel Size:  $\varnothing 330$  mm  
 Reel QTY: 1,000 pcs per reel  
 Carton Size: 430 x 340 x 340 mm  
 Carton QTY: 20,000 pcs per carton



## REVISION HISTORY

rev.	description	date
1.0	initial release	06/14/2023
1.01	changed part numbers	02/29/2024

The revision history provided is for informational purposes only and is believed to be accurate.



CUI Devices offers a one (1) year limited warranty. Complete warranty information is listed on our website.

CUI Devices reserves the right to make changes to the product at any time without notice. Information provided by CUI Devices is believed to be accurate and reliable. However, no responsibility is assumed by CUI Devices for its use, nor for any infringements of patents or other rights of third parties which may result from its use.

CUI Devices products are not authorized or warranted for use as critical components in equipment that requires an extremely high level of reliability. A critical component is any component of a life support device or system whose failure to perform can be reasonably expected to cause the failure of the life support device or system, or to affect its safety or effectiveness.

[cuidevices.com](http://cuidevices.com)