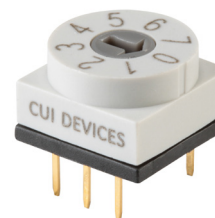


SERIES: RDS1-1065-D-67 | **DESCRIPTION:** ROTARY DIP SWITCH**FEATURES**

- 4, 8, 10, & 16 positions
- through hole
- IP67

**SPECIFICATIONS**

| parameter | conditions/description | min | typ | max | units |
|-----------------------|--|-----|--------|-----|---------|
| rated voltage | switching | | | 42 | Vdc |
| | non-switching | | | 42 | Vdc |
| rated current | switching | | | 150 | mA |
| | non-switching | | | 200 | mA |
| withstanding voltage | for 1 minute | | 250 | | Vac |
| contact resistance | | | | 80 | mΩ |
| insulation resistance | for 1 minute at 250 Vdc | 100 | | | MΩ |
| operating torque | | | | 700 | gf*cm |
| actuator travel | continuous rotation | | 360 | | degrees |
| operating temperature | | -40 | | 85 | °C |
| storage temperature | | -40 | | 85 | °C |
| life | at 42 Vdc, 150 mA, 15~20 cycles/minute | | 10,000 | | steps |
| flammability rating | see material tables | | | | |
| RoHS | yes | | | | |
| IP level | IP67 | | | | |

SOLDERABILITY

| parameter | conditions/description | min | typ | max | units |
|----------------|------------------------|-----|-----|-----|-------|
| hand soldering | for maximum 3 seconds | | | 350 | °C |
| wave soldering | for maximum 5 seconds | | | 260 | °C |

PART NUMBER KEY

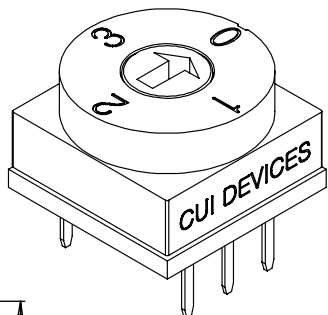
RDS1 - XXS - 1065 - D - 67

Base Number

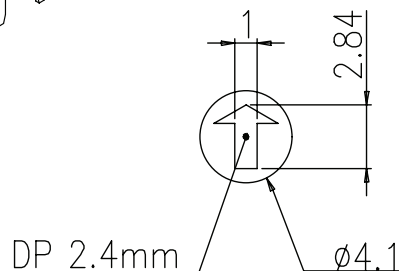
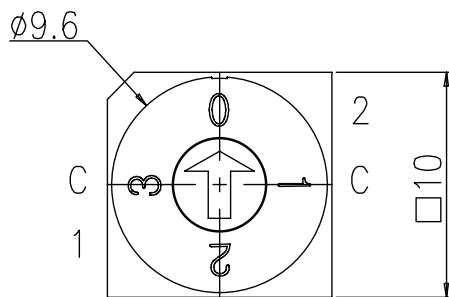
No. of Positions:
 4 = 4 Positions
 8 = 8 Positions
 10 = 10 Positions
 16 = 16 Positions

MECHANICAL DRAWING (4 POSITION)

units: mm
tolerance: ±0.3 mm
unless otherwise specified

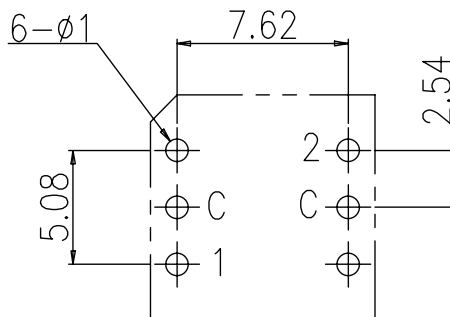
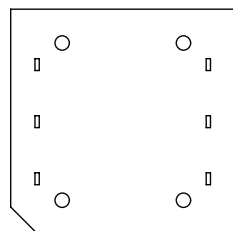
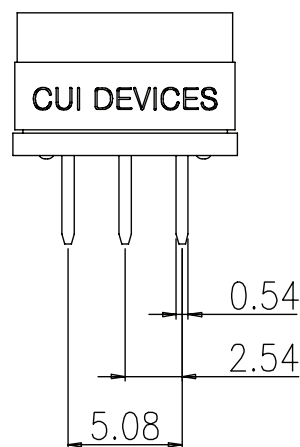
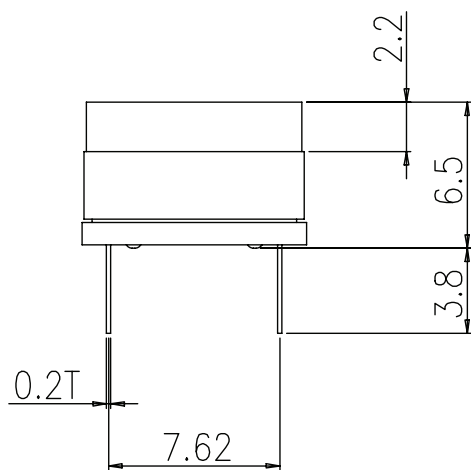


| DESCRIPTION | MATERIAL | PLATING/COLOR |
|-------------|-------------------|---------------|
| actuator | POM (UL94HB) | gray |
| cover | PA66 (UL94V-0) | light white |
| base | PA66 (UL94V-0) | black |
| terminals | phosphorus bronze | Ni/Au |



ACTUATOR

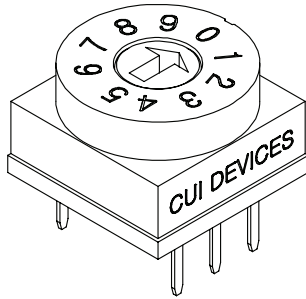
| TYPE | POS | CODE | | |
|------------|-----|------|---|---|
| | | C | 1 | 2 |
| 4 POSITION | 0 | ● | ○ | ○ |
| | 1 | ● | ● | ○ |
| | 2 | ● | ○ | ● |
| | 3 | ● | ● | ● |



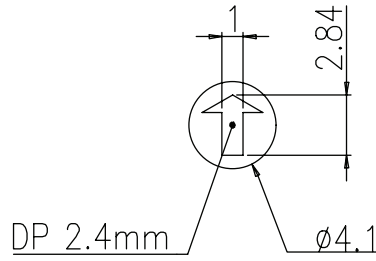
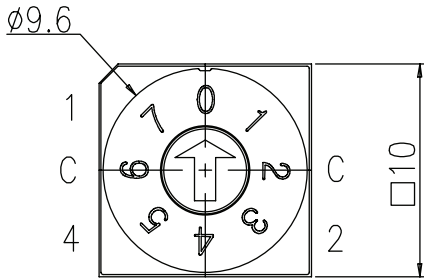
Recommended PCB Layout
Top View

MECHANICAL DRAWING (8 POSITION)

units: mm
tolerance: ±0.3 mm
unless otherwise specified

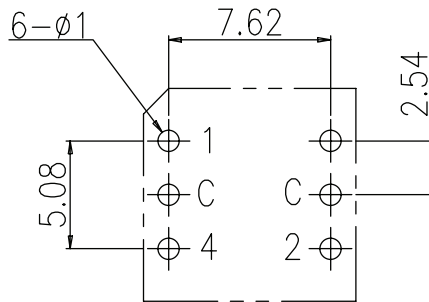
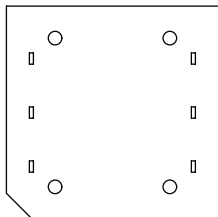
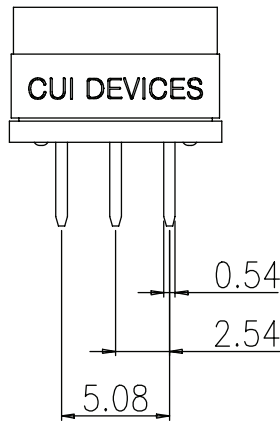
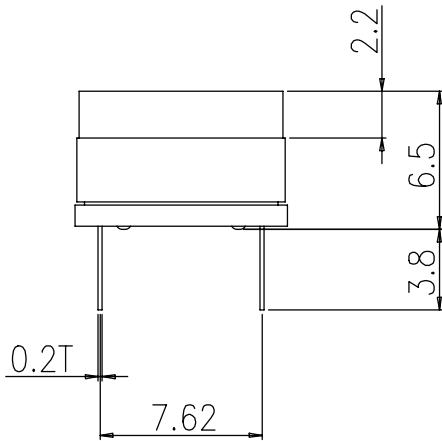


| DESCRIPTION | MATERIAL | PLATING/COLOR |
|-------------|-------------------|---------------|
| actuator | POM (UL94HB) | gray |
| cover | PA66 (UL94V-0) | light white |
| base | PA66 (UL94V-0) | black |
| terminals | phosphorus bronze | Ni/Au |



ACTUATOR

| TYPE | POS | CODE | | | |
|------------|-----|------|---|---|---|
| | | C | 1 | 2 | 4 |
| 8 POSITION | 0 | ● | ○ | ○ | ○ |
| | 1 | ● | ● | ○ | ○ |
| | 2 | ● | ○ | ● | ○ |
| | 3 | ● | ● | ● | ○ |
| | 4 | ● | ○ | ○ | ● |
| | 5 | ● | ● | ○ | ● |
| | 6 | ● | ○ | ● | ● |
| | 7 | ● | ● | ● | ● |

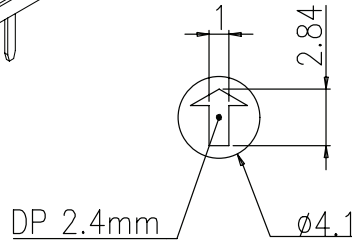
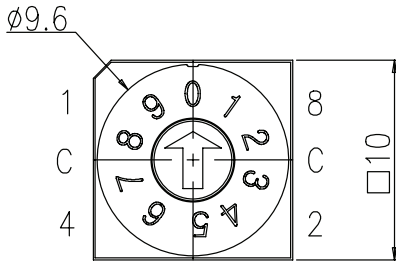
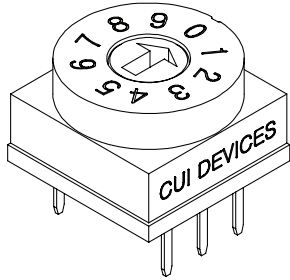


Recommended PCB Layout
Top View

MECHANICAL DRAWING (10 POSITION)

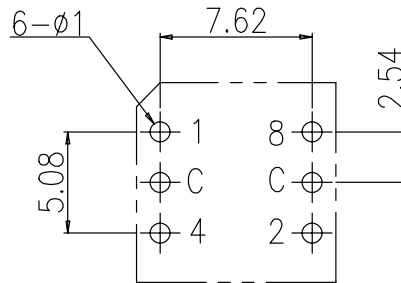
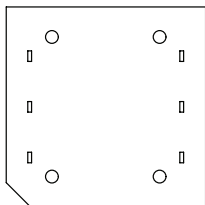
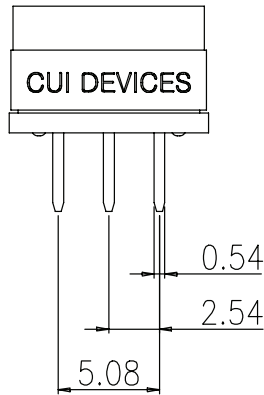
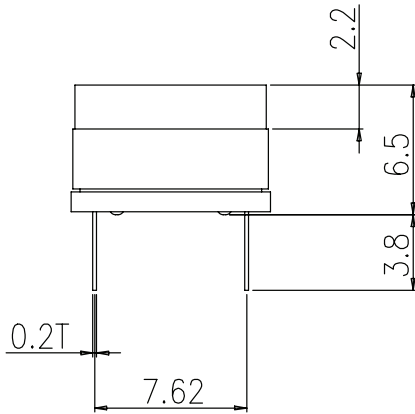
units: mm
 tolerance: ±0.3 mm
 unless otherwise specified

| DESCRIPTION | MATERIAL | PLATING/COLOR |
|-------------|-------------------|---------------|
| actuator | POM (UL94HB) | gray |
| cover | PA66 (UL94V-0) | light white |
| base | PA66 (UL94V-0) | black |
| terminals | phosphorus bronze | Ni/Au |



ACTUATOR

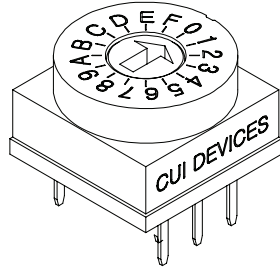
| ON ● | | | | | | |
|-------------|------|---|---|---|---|---|
| OFF ○ | CODE | | | | | |
| TYPE | POS | C | 1 | 2 | 4 | 8 |
| 10 POSITION | 0 | ● | ○ | ○ | ○ | ○ |
| | 1 | ● | ● | ○ | ○ | ○ |
| | 2 | ● | ○ | ● | ○ | ○ |
| | 3 | ● | ● | ● | ○ | ○ |
| | 4 | ● | ○ | ○ | ● | ○ |
| | 5 | ● | ● | ○ | ● | ○ |
| | 6 | ● | ○ | ● | ● | ○ |
| | 7 | ● | ● | ● | ● | ○ |
| | 8 | ● | ○ | ○ | ○ | ● |
| | 9 | ● | ● | ○ | ○ | ● |



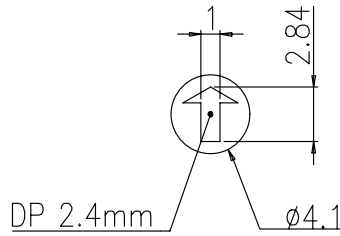
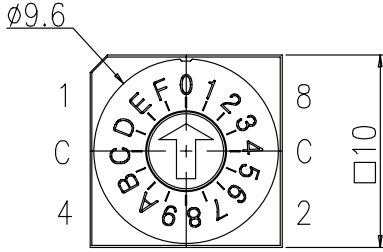
Recommended PCB Layout
 Top View

MECHANICAL DRAWING (16 POSITION)

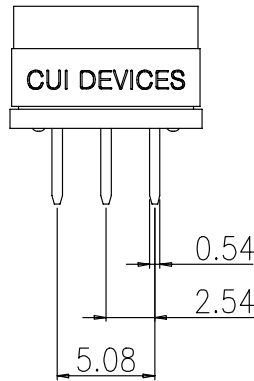
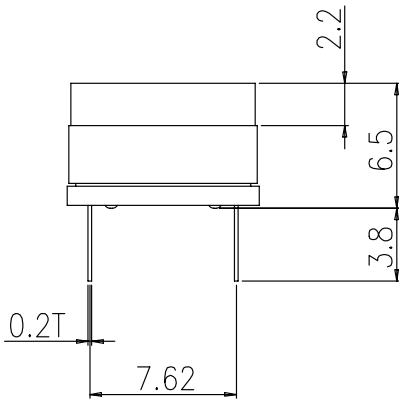
units: mm
 tolerance: ±0.3 mm
 unless otherwise specified



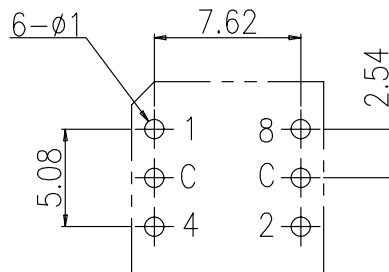
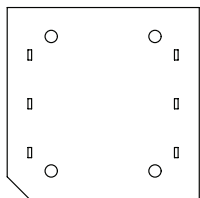
| DESCRIPTION | MATERIAL | PLATING/COLOR |
|-------------|-------------------|---------------|
| actuator | POM (UL94HB) | gray |
| cover | PA66 (UL94V-0) | light white |
| base | PA66 (UL94V-0) | black |
| terminals | phosphorus bronze | Ni/Au |



ACTUATOR



| TYPE | POS | CODE | | | | |
|-------------|-----|------|---|---|---|---|
| | | C | 1 | 2 | 4 | 8 |
| 16 POSITION | 0 | ● | ○ | ○ | ○ | ○ |
| | 1 | ● | ● | ○ | ○ | ○ |
| | 2 | ● | ○ | ● | ○ | ○ |
| | 3 | ● | ● | ● | ○ | ○ |
| | 4 | ● | ○ | ○ | ● | ○ |
| | 5 | ● | ● | ○ | ● | ○ |
| | 6 | ● | ○ | ● | ● | ○ |
| | 7 | ● | ● | ● | ● | ○ |
| | 8 | ● | ○ | ○ | ○ | ● |
| | 9 | ● | ● | ○ | ○ | ● |
| | A | ● | ○ | ● | ○ | ● |
| | B | ● | ● | ● | ○ | ● |
| | C | ● | ○ | ○ | ● | ● |
| | D | ● | ● | ○ | ● | ● |
| | E | ● | ○ | ● | ● | ● |
| | F | ● | ● | ● | ● | ● |



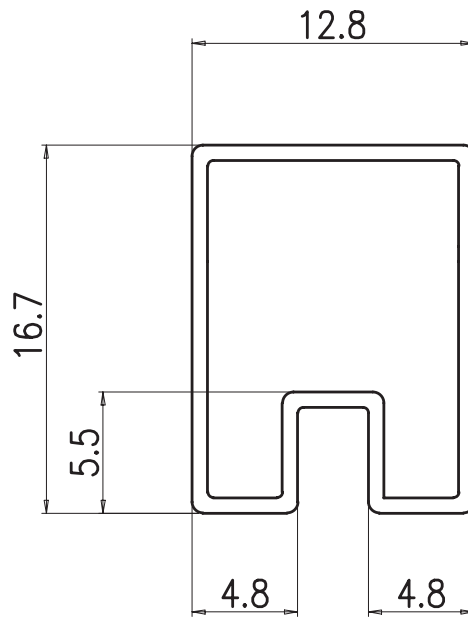
Recommended PCB Layout
 Top View

PACKAGING

units: mm

Tube Size: 16.7 x 12.8 x 540 mm

Tube QTY: 50 pcs per tube



REVISION HISTORY

| rev. | description | date |
|------|-----------------|------------|
| 1.0 | initial release | 05/31/2023 |

The revision history provided is for informational purposes only and is believed to be accurate.



CUI Devices offers a one (1) year limited warranty. Complete warranty information is listed on our website.

CUI Devices reserves the right to make changes to the product at any time without notice. Information provided by CUI Devices is believed to be accurate and reliable. However, no responsibility is assumed by CUI Devices for its use, nor for any infringements of patents or other rights of third parties which may result from its use.

CUI Devices products are not authorized or warranted for use as critical components in equipment that requires an extremely high level of reliability. A critical component is any component of a life support device or system whose failure to perform can be reasonably expected to cause the failure of the life support device or system, or to affect its safety or effectiveness.

cuidevices.com