

**MODEL:** PJ-014D | **DESCRIPTION:** DC POWER JACK

**FEATURES**

- 1.3 mm center pin
- 2.5 A rating
- right angle orientation
- through hole mounting


**SPECIFICATIONS**

parameter	conditions/description	min	typ	max	units
rated input voltage			24		Vdc
rated input current				2.5	A
contact resistance				50	mΩ
insulation resistance	at 500 Vdc	100			MΩ
voltage withstand				500	Vac
insertion/withdrawal force		0.3		3	kg
operating temperature		-25		85	°C
life			5,000		cycles
flammability rating	UL94V-0				
RoHS	yes				

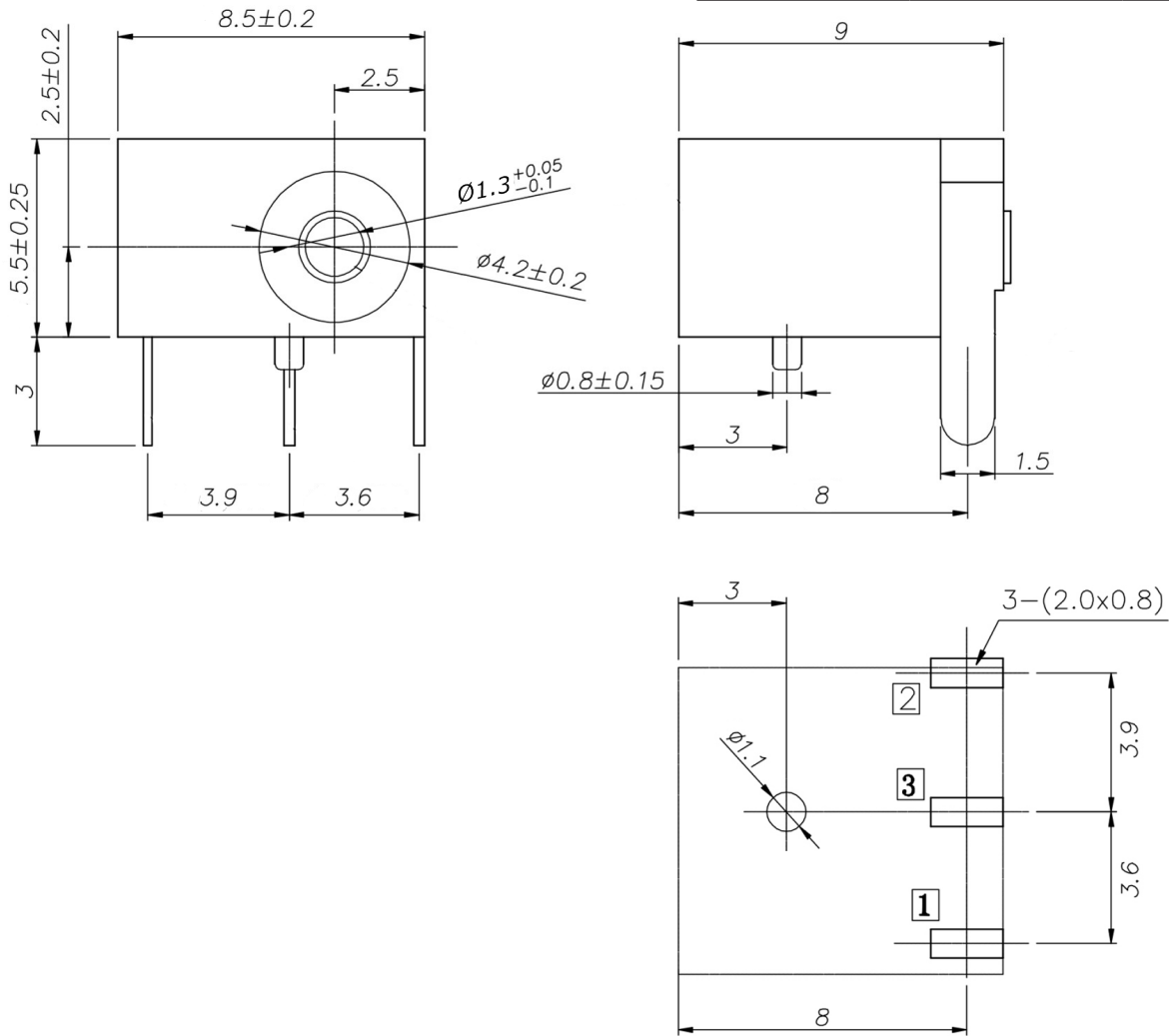
**SOLDERABILITY**

parameter	conditions/description	min	typ	max	units
wave soldering	dipped in solder pot for 5 ±0.5 seconds	255	260	265	°C

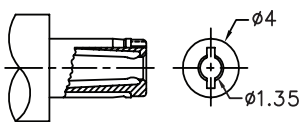
## MECHANICAL DRAWING

units: mm  
 tolerance:  
 X.X ±0.25 mm  
 X.XX ±0.15 mm  
 X.XXX ±0.050 mm  
 PCB: ±0.05 mm  
 unless otherwise specified

DESCRIPTION	MATERIAL	PLATING/COLOR
center pin	brass	silver
terminal 1	brass t=0.30	silver
terminal 2	stainless steel t=0.25	silver
terminal 3	brass t=0.30	silver
housing	PA66 (UL94V-0)	black



Recommended PCB Layout  
Top View



MATING PLUG  
Jack Insertion Depth: 7.5 mm

SCHEMATIC	
Model	PJ-014D
Center Pin	$\varnothing 1.3$ mm

## REVISION HISTORY

rev.	description	date
1.0	initial release	10/19/2005
1.01	added dimensions	12/21/2007
1.02	applied new spec template	06/29/2015
1.03	increased voltage rating	05/18/2016
1.04	brand update	10/24/2019
1.05	logo, datasheet style update	08/05/2022
1.06	product reengineered for improved manufacturability and production yield, see PCN for details	01/05/2023

The revision history provided is for informational purposes only and is believed to be accurate.



CUI Devices offers a one (1) year limited warranty. Complete warranty information is listed on our website.

CUI Devices reserves the right to make changes to the product at any time without notice. Information provided by CUI Devices is believed to be accurate and reliable. However, no responsibility is assumed by CUI Devices for its use, nor for any infringements of patents or other rights of third parties which may result from its use.

CUI Devices products are not authorized or warranted for use as critical components in equipment that requires an extremely high level of reliability. A critical component is any component of a life support device or system whose failure to perform can be reasonably expected to cause the failure of the life support device or system, or to affect its safety or effectiveness.

[cuidevices.com](http://cuidevices.com)