



## SERIES: CDM519 | DESCRIPTION: M5 CABLE

### FEATURES

- M5 molded female cable connector
- A Code
- angled
- IP67
- 1, 2 & 3 meter length options



### SPECIFICATIONS

parameter	conditions/description	min	typ	max	units
rated voltage				60	V
rated current				1	A
withstanding voltage	for 1 minute		600		Vac
contact resistance				5	mΩ
insulation resistance	at 500 Vdc for 1 minute	100			MΩ
insertion/withdrawal force		0.3		1.5	kgf
operating temperature		-25		80	°C
life		100			cycles
safety approvals	compliant with IEC61076-2-105				
flammability rating	see material table				
RoHS	yes				
IP level	IP67 (in mated condition)				

### PART NUMBER KEY

**CDM519 - XXX - 01FRA - XX - 67**

Base Number

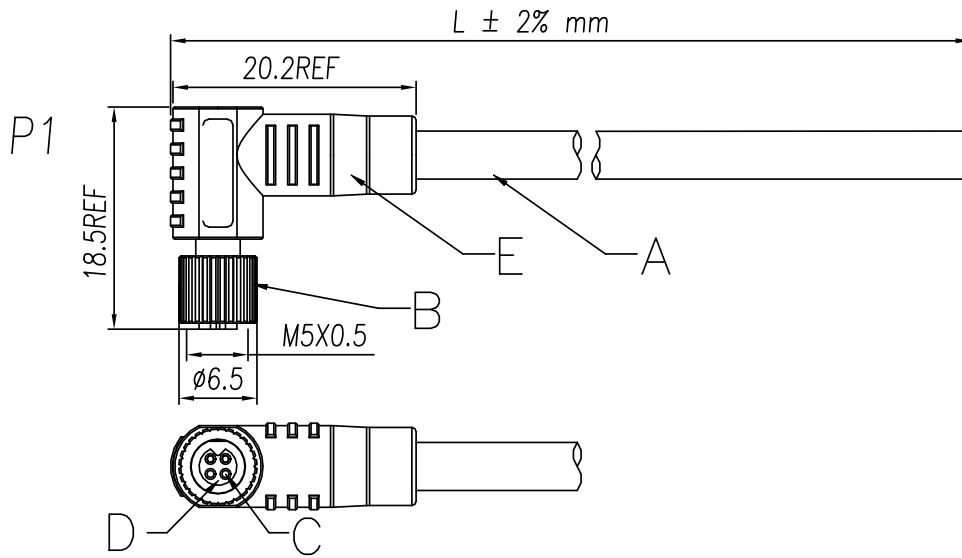
No. of Poles:  
03A = 3 [A-Coding]  
04A = 4 [A-Coding]

Cable Length:  
1M = 1 m  
2M = 2 m  
3M = 3 m

## MECHANICAL DRAWING

units: mm  
 tolerance:  
 0.5<X≤6.0: ±0.1 mm  
 6.0<X≤30.0: ±0.2 mm  
 unless otherwise noted

ITEM	DESCRIPTION	MATERIAL	PLATING/COLOR
A	cable	UL 2464 PVC	black
B	M5x0.5 screw	brass	nickel
C	terminals; female	brass	gold
D	housing; female	PA66 [UL94V-0]	black
E	overmold	TPU [UL94V-0]	black



No. of Poles		3	4
Coding		 A-Coding	 A-Coding
Pin#	Cable	26 AWG X 3C OD: 4.0±0.2 mm	26 AWG X 4C OD: 4.3±0.2 mm
1		brown	brown
2		---	white
3		blue	blue
4		black	black

## REVISION HISTORY

rev.	description	date
1.0	initial release	12/18/2023

The revision history provided is for informational purposes only and is believed to be accurate.



CUI Devices offers a one (1) year limited warranty. Complete warranty information is listed on our website.

CUI Devices reserves the right to make changes to the product at any time without notice. Information provided by CUI Devices is believed to be accurate and reliable. However, no responsibility is assumed by CUI Devices for its use, nor for any infringements of patents or other rights of third parties which may result from its use.

CUI Devices products are not authorized or warranted for use as critical components in equipment that requires an extremely high level of reliability. A critical component is any component of a life support device or system whose failure to perform can be reasonably expected to cause the failure of the life support device or system, or to affect its safety or effectiveness.

[cuidevices.com](http://cuidevices.com)