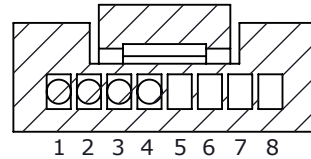
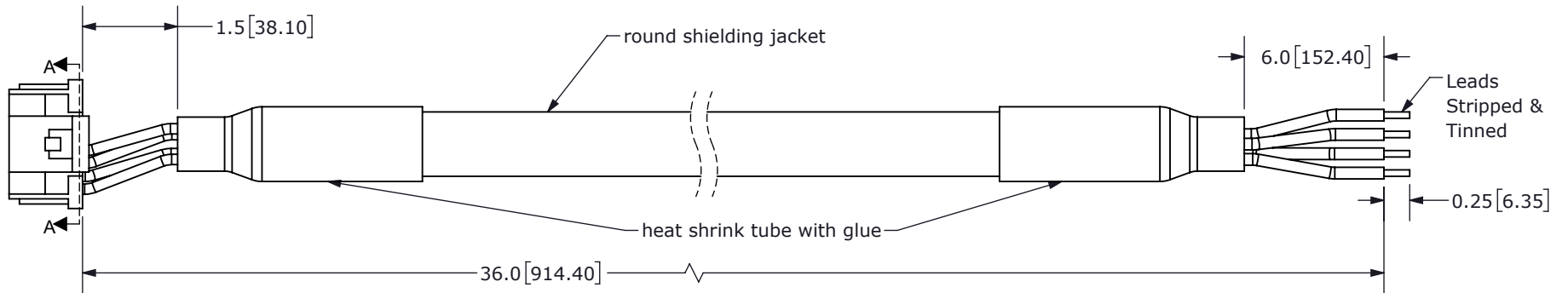
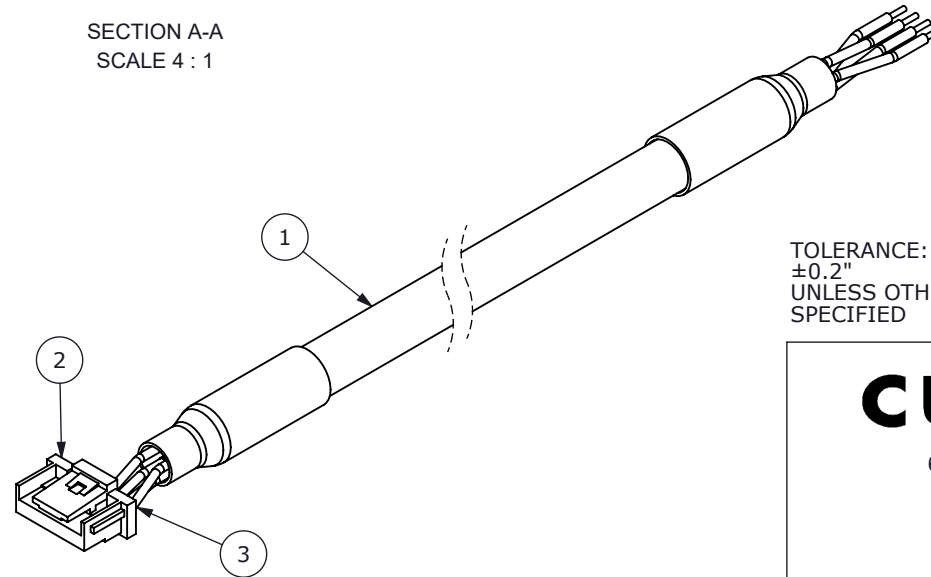


REV.	DESCRIPTION	DATE
A	INITIAL RELEASE	08/18/2020



SECTION A-A  
SCALE 4 : 1

Connector Pinout			
#	Function	Color	
		Primary	Stripe
1	+5 V	Orange	White
2	GND	White	Orange
3	A	White	Blue
4	B	Blue	White
5	Not Populated		
6	Not Populated		
7	Not Populated		
8	Nop Populated		



TOLERANCE:  
±0.2"  
UNLESS OTHERWISE  
SPECIFIED



# CUI DEVICES

6405 SW Rosewood St, Suite C  
Lake Oswego, OR 97035  
Phone: 877-323-3576

Website: [www.cuidevices.com](http://www.cuidevices.com)

ITEM NO:	977-7244R	REV:	A
PART NO:	AMT-08C-2-036	UNITS:	INCHES[MM]
DRAWN BY:	RDS	APPROVED BY:	
		SCALE:	2:1

	Part	QTY	Part#
1	Cable	1	Belden 8133 or EQV.
2	Connector	1	JST NSHR-08V-S
3	Crimp Pins	4	JST SSSL-003T-P0.2

PC FILE NAME:  
AMT-08C-2-036

COPYRIGHT 2020 BY CUI DEVICES