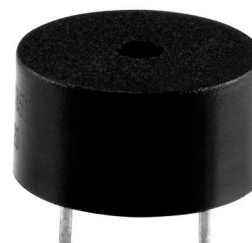


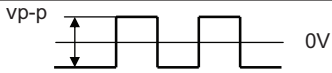
MODEL: CPT-147-85T | DESCRIPTION: PIEZO BUZZER TRANSDUCER

FEATURES

- 10 Vp-p
- 85 dB
- through hole



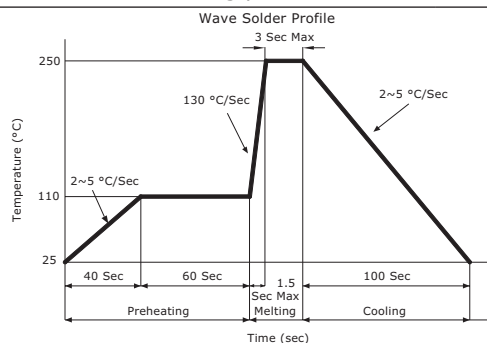
SPECIFICATIONS

parameter	conditions/description	min	typ	max	units
rated voltage	vp-p 		10		Vp-p
operating voltage				20	Vp-p
current consumption	at rated voltage, 4,000 Hz, 1/2 duty square wave			7	mA
rated frequency			4,000		Hz
sound pressure level	at 10 cm, rated voltage, 4,000 Hz, 1/2 duty square wave	85			dB
electrostatic capacitance	at 1.0 V, 120 Hz	9,100	13,000	16,900	pF
dimensions	Ø14.0 x 7.0				mm
weight			1.0		g
material	PBT				
terminal	pins (tin plating)				
operating temperature		-40		85	°C
storage temperature		-40		85	°C
washable	yes				
RoHS	yes				

Notes: 1. All specifications measured at 5~35°C, humidity at 45~85%, under 86~106kPa pressure, unless otherwise noted.

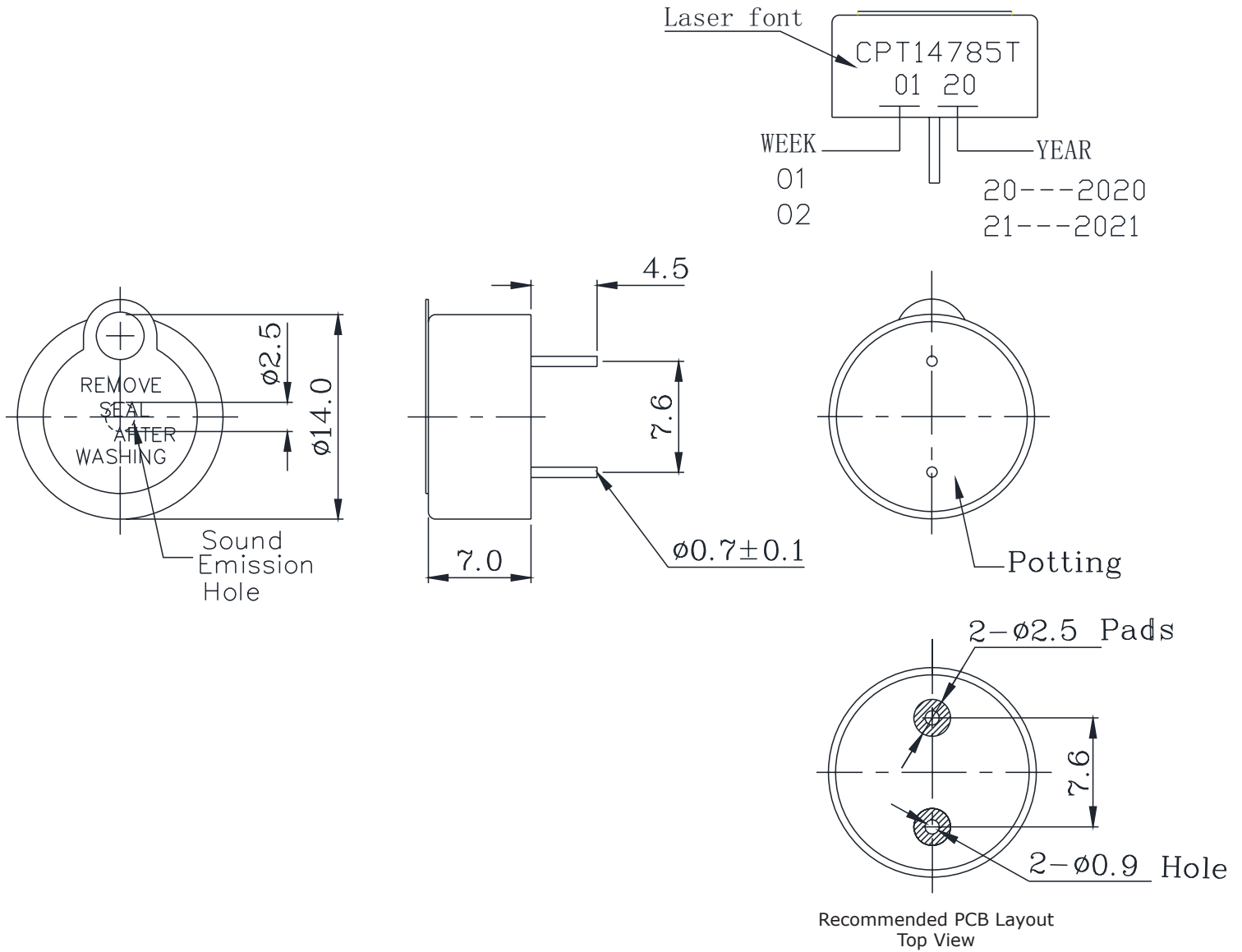
SOLDERABILITY

parameter	conditions/description	min	typ	max	units
hand soldering	maximum 2 seconds	330		380	°C
wave soldering	see recommended wave soldering profile			250	°C

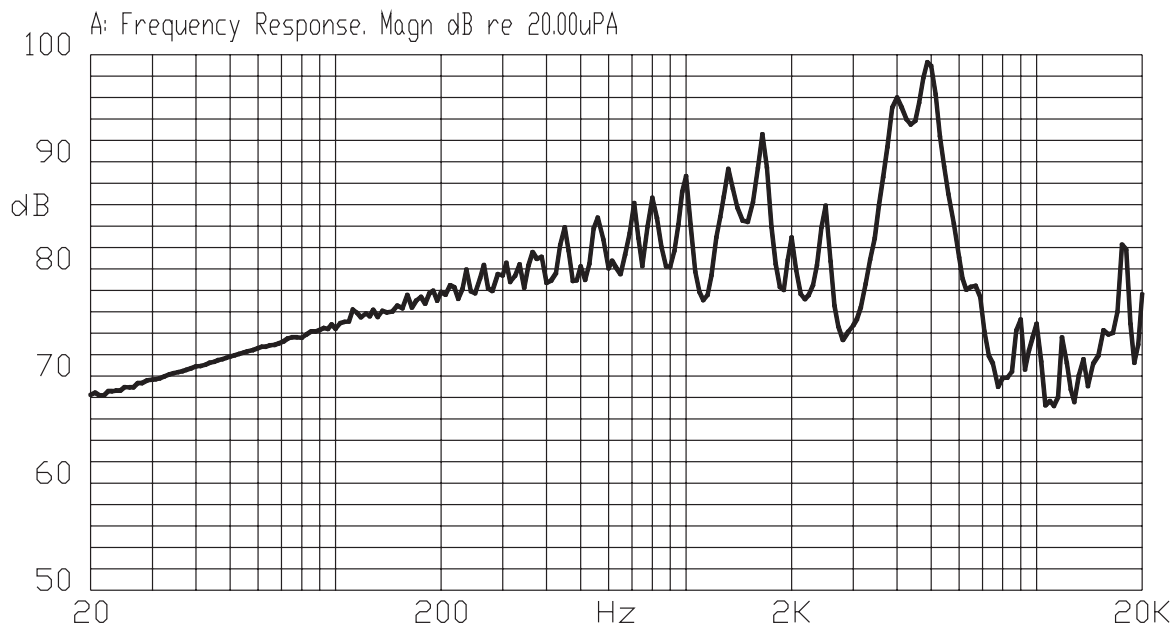


MECHANICAL DRAWING

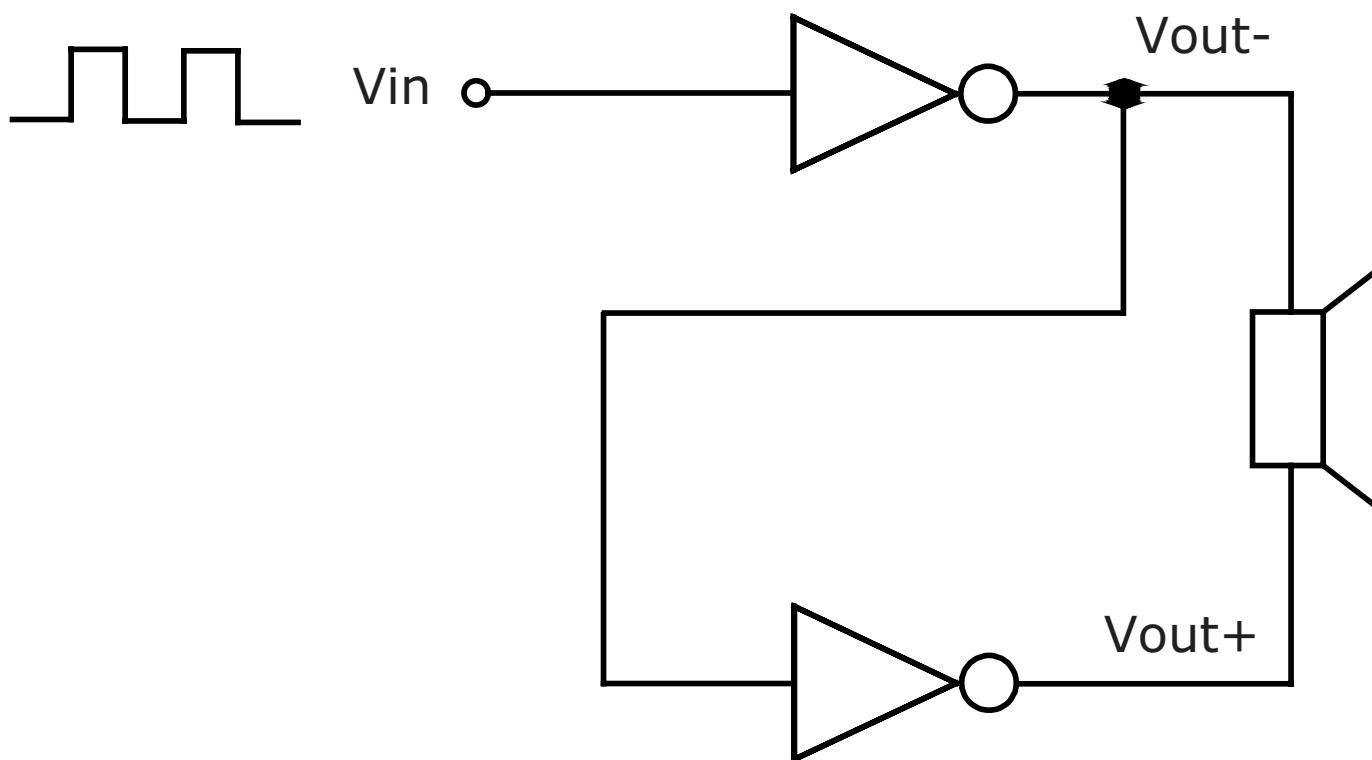
units: mm
tolerance: ± 0.5 mm



FREQUENCY RESPONSE CURVE



APPLICATION CIRCUIT

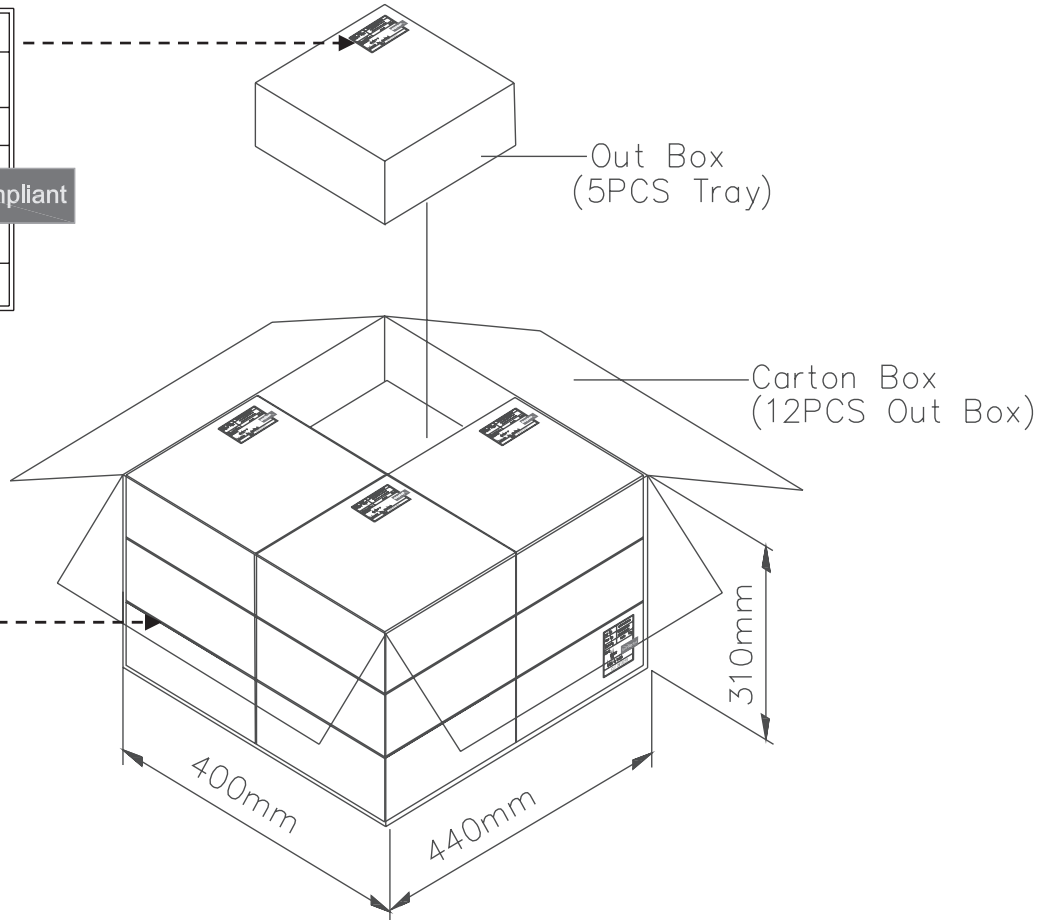


PACKAGING

units: mm

Tray Size: 184 x 180 x 23 mm
 Carton Size: 440 x 400 x 310 mm
 Tray QTY: 100 pcs per tray
 Carton QTY: 6,000 pcs per carton

Lot No.	XXXXXXXXXX
Part No.	XXXXXXXXXX XXXXXXXXXX
Quantity.	XXXX Pcs
Date:	
	WWYY
	RoHs Compliant
	MADE IN CHINA
	CUI DEVICES



REVISION HISTORY

rev.	description	date
1.0	initial release	09/15/2020

The revision history provided is for informational purposes only and is believed to be accurate.

CUI DEVICES

CUI Devices offers a one (1) year limited warranty. Complete warranty information is listed on our website.

CUI Devices reserves the right to make changes to the product at any time without notice. Information provided by CUI Devices is believed to be accurate and reliable. However, no responsibility is assumed by CUI Devices for its use, nor for any infringements of patents or other rights of third parties which may result from its use.

CUI Devices products are not authorized or warranted for use as critical components in equipment that requires an extremely high level of reliability. A critical component is any component of a life support device or system whose failure to perform can be reasonably expected to cause the failure of the life support device or system, or to affect its safety or effectiveness.