



**MODEL:** CPS-4013-110T | **DESCRIPTION:** PIEZO BUZZER TRANSDUCER

**FEATURES**

- 9 V rated
- externally driven
- through hole



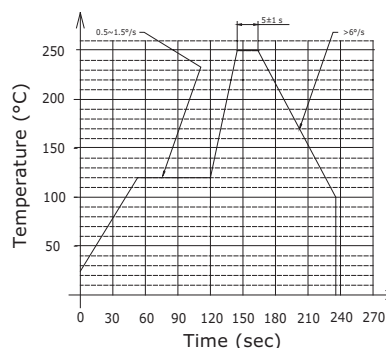
**SPECIFICATIONS**

| parameter             | conditions/description             | min   | typ   | max   | units |
|-----------------------|------------------------------------|-------|-------|-------|-------|
| rated voltage         |                                    |       | 9     |       | Vdc   |
| operating voltage     |                                    | 6     |       | 12    | Vdc   |
| current consumption   | at rated voltage                   |       |       | 50    | mA    |
| rated frequency       |                                    | 2,900 | 3,200 | 3,500 | Hz    |
| sound pressure level  | at 30 cm, rated voltage            | 110   | 115   |       | dB    |
| tone                  | single                             |       |       |       |       |
| dimensions            | Ø40.0 x 12.6                       |       |       |       | mm    |
| weight                |                                    |       | 9.6   |       | g     |
| material              | ABS777D                            |       |       |       |       |
| terminal              | pins (red copper with tin plating) |       |       |       |       |
| operating temperature |                                    | -20   |       | 60    | °C    |
| storage temperature   |                                    | -30   |       | 70    | °C    |
| washable              | no                                 |       |       |       |       |
| RoHS                  | yes                                |       |       |       |       |

Notes: 1. All specifications measured at 5-35°C, humidity at 45-85%, under 86-106 kPa pressure, unless otherwise noted.

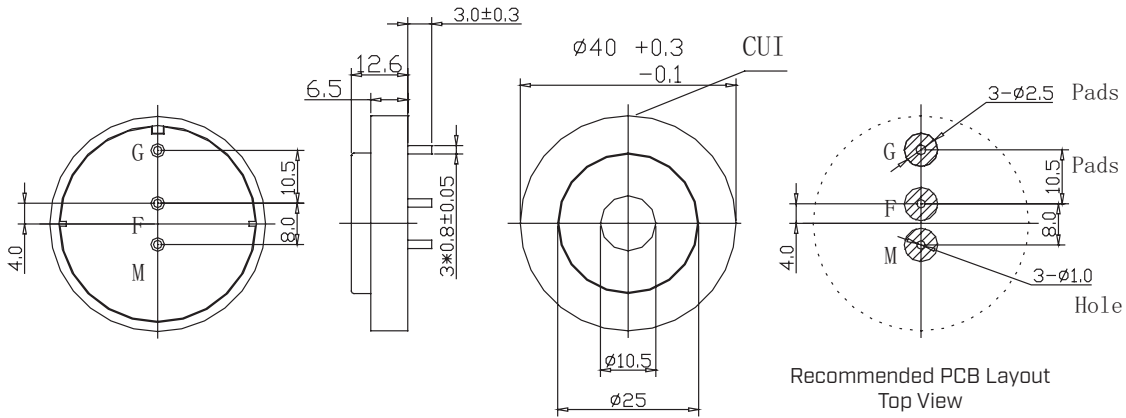
**SOLDERABILITY**

| parameter      | conditions/description | min | typ | max | units |
|----------------|------------------------|-----|-----|-----|-------|
| hand soldering |                        | 360 | 380 | 400 | °C    |
| wave soldering | see graph below        |     |     |     |       |



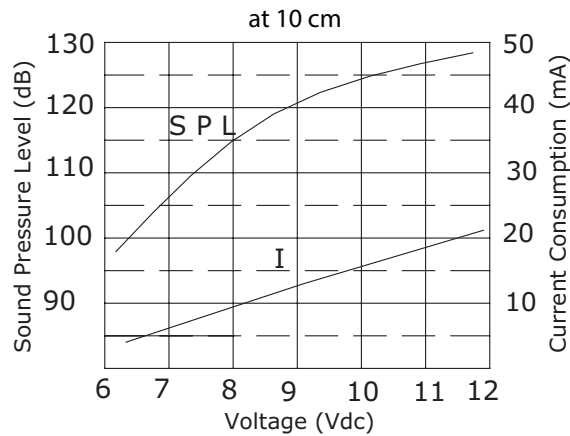
## MECHANICAL DRAWING

units: mm  
tolerance:  $\pm 0.5$  mm

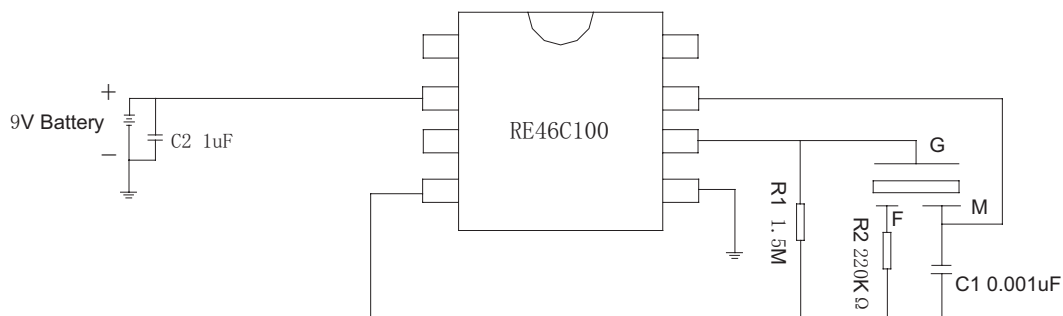


## PERFORMANCE CURVES

SPL: Voltage vs. Sound Pressure Level  
I: Voltage vs. Current Consumption



## DRIVING CIRCUIT

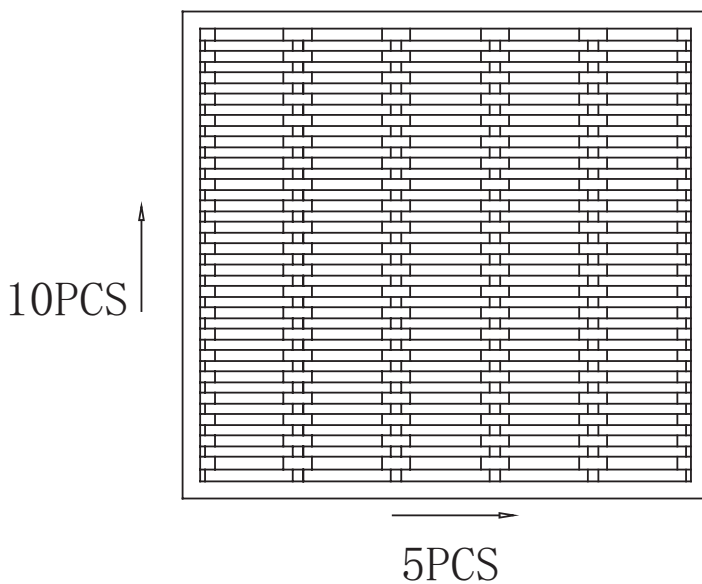


Notes: 1. The current consumption and the sound pressure level are measured by using the recommended driving circuit shown above.

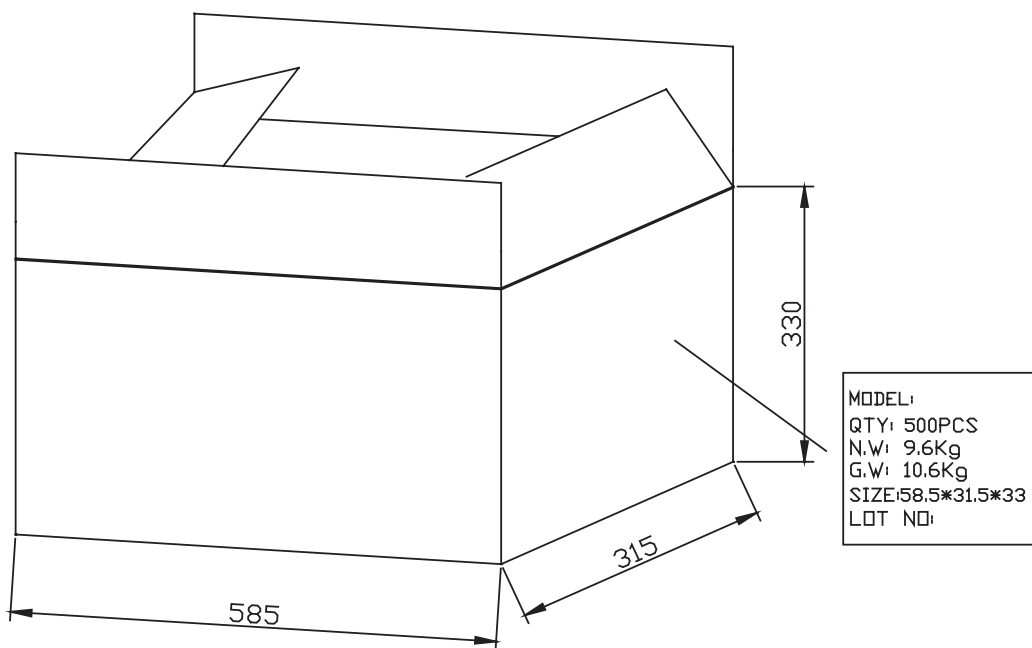
## PACKAGING

units: mm

Carton Size: 585 x 315 x 330 mm  
Carton QTY: 500 pcs per carton



50 PCS/PACKING BOX



500 PCS/CTN

## REVISION HISTORY

| rev. | description                  | date       |
|------|------------------------------|------------|
| 1.0  | initial release              | 01/08/2020 |
| 1.01 | updated datasheet            | 06/15/2020 |
| 1.02 | updated drawing              | 01/14/2022 |
| 1.03 | logo, datasheet style update | 08/05/2022 |

The revision history provided is for informational purposes only and is believed to be accurate.



CUI Devices offers a one (1) year limited warranty. Complete warranty information is listed on our website.

CUI Devices reserves the right to make changes to the product at any time without notice. Information provided by CUI Devices is believed to be accurate and reliable. However, no responsibility is assumed by CUI Devices for its use, nor for any infringements of patents or other rights of third parties which may result from its use.

CUI Devices products are not authorized or warranted for use as critical components in equipment that requires an extremely high level of reliability. A critical component is any component of a life support device or system whose failure to perform can be reasonably expected to cause the failure of the life support device or system, or to affect its safety or effectiveness.

[cuiddevices.com](http://cuiddevices.com)