

**MODEL:** CPS-105110-108SPM | **DESCRIPTION:** SIREN**FEATURES**

- warble tone
- internally driven
- mounting bracket

**SPECIFICATIONS**

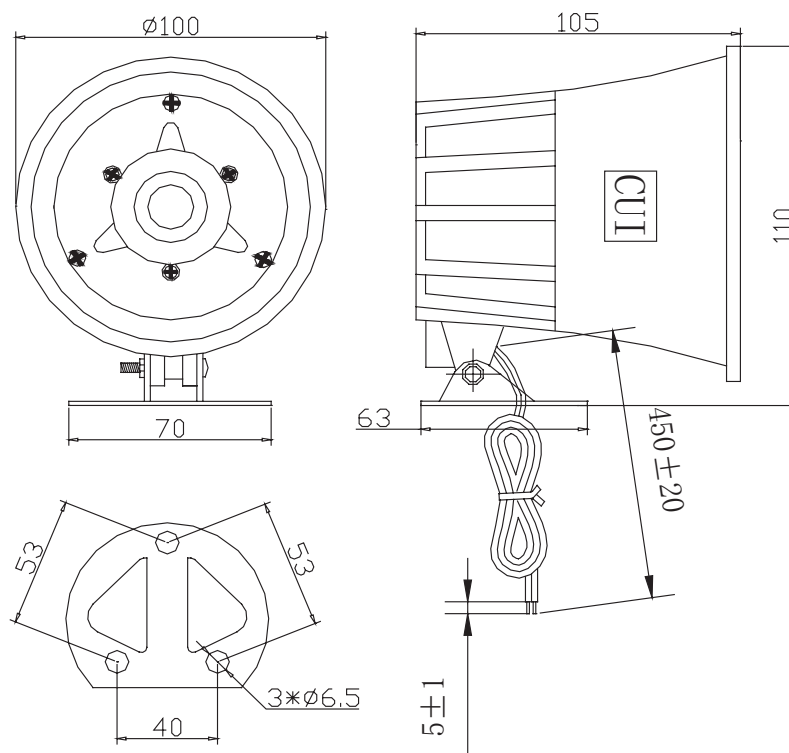
parameter	conditions/description	min	typ	max	units
rated voltage	with reverse polarity protection		12		Vdc
operating voltage	with reverse polarity protection	9		15	Vdc
power			15		W
current consumption	at rated voltage			600	mA
sound pressure level	at 1 m, rated voltage	103	108	113	dB
coil impedance			6		Ω
tone	warble				
dimensions	Ø100 x 105				mm
weight			375.0		g
material	ABS (UL94HB)				
terminal	wire leads				
operating temperature		-20		70	°C
storage temperature		-30		80	°C
washable	no				
RoHS	yes				

Notes: 1. All specifications measured at 25±3°C, humidity at 60~70%, under 86~106 kPa pressure, unless otherwise noted.

## MECHANICAL DRAWING

units: mm  
tolerance:  $\pm 3$  mm

wire: UL 1007 24 AWG



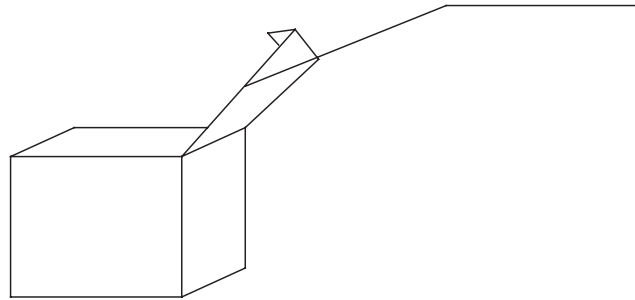
Bottom Bracket

## PACKAGING

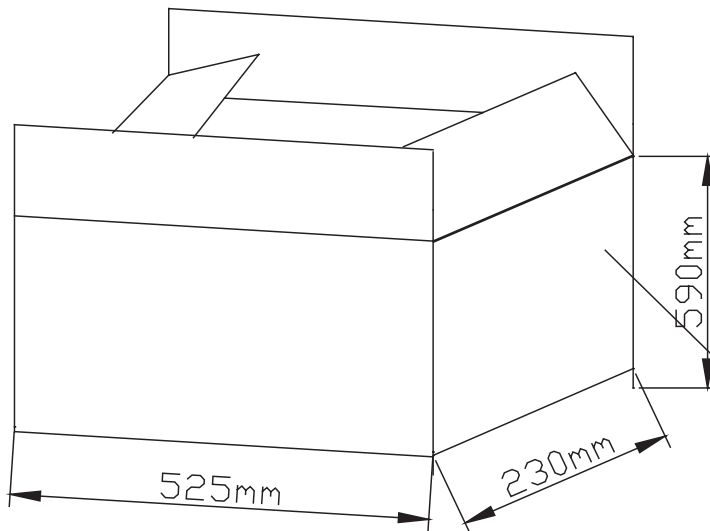
units: mm

Carton Size: 525 x 230 x 590 mm  
Carton QTY: 50 pcs per carton

White Box



1 PCS One BOX



MODEL:  
QTY: 50PCS  
N.W: 18.75Kg  
G.W: 23.5Kg  
SIZE:52.5\*23\*59cm  
LOT NO:

## REVISION HISTORY

---

rev.	description	date
1.0	initial release	01/22/2020
1.01	updated datasheet	01/07/2021

The revision history provided is for informational purposes only and is believed to be accurate.

---

# CUI DEVICES

CUI Devices offers a one (1) year limited warranty. Complete warranty information is listed on our website.

CUI Devices reserves the right to make changes to the product at any time without notice. Information provided by CUI Devices is believed to be accurate and reliable. However, no responsibility is assumed by CUI Devices for its use, nor for any infringements of patents or other rights of third parties which may result from its use.

CUI Devices products are not authorized or warranted for use as critical components in equipment that requires an extremely high level of reliability. A critical component is any component of a life support device or system whose failure to perform can be reasonably expected to cause the failure of the life support device or system, or to affect its safety or effectiveness.