

**MODEL:** CPI-2207-95-SMT-TR | **DESCRIPTION:** PIEZO BUZZER INDICATOR

**FEATURES**

- internally driven
- continuous tone
- surface mount

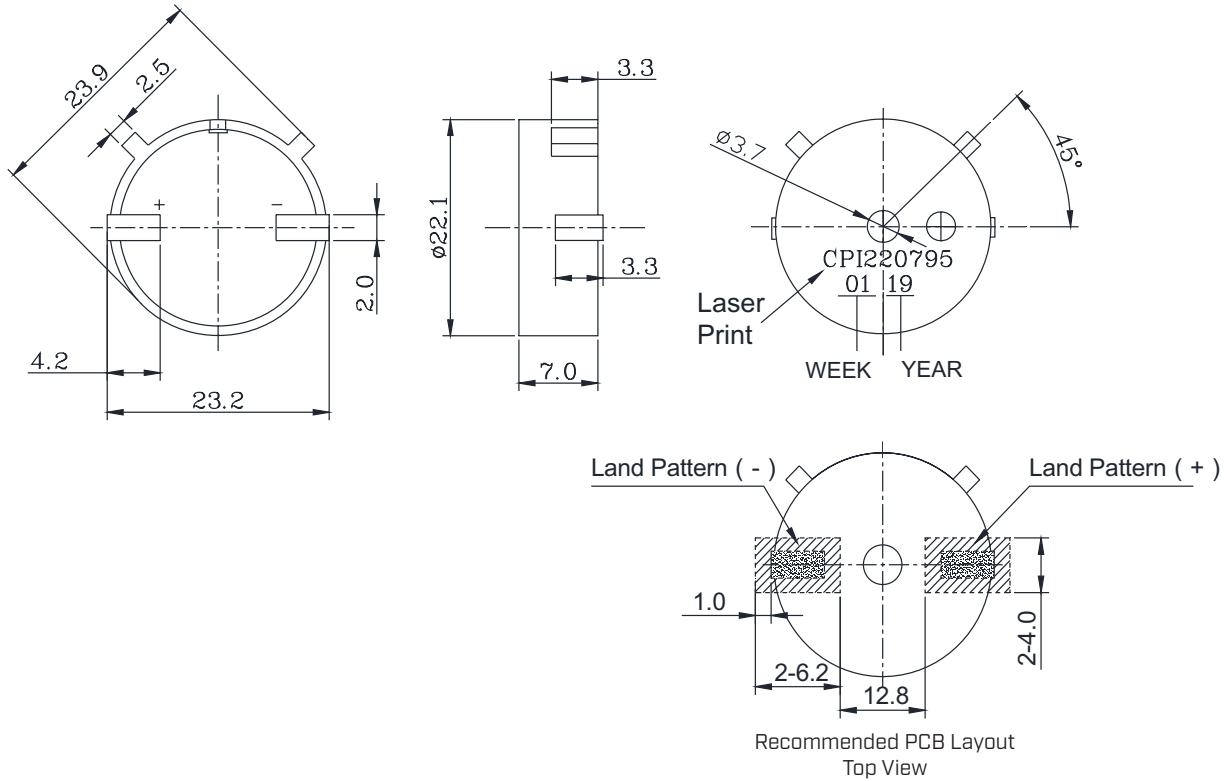

**SPECIFICATIONS**

| parameter             | conditions/description      | min   | typ   | max   | units |
|-----------------------|-----------------------------|-------|-------|-------|-------|
| rated voltage         |                             |       | 12    |       | Vdc   |
| operating voltage     |                             | 3     |       | 15    | Vdc   |
| current consumption   | at rated voltage            |       |       | 12    | mA    |
| rated frequency       |                             | 3,500 | 4,000 | 4,500 | Hz    |
| sound pressure level  | at 10 cm, rated voltage     | 95    |       |       | dB    |
| tone                  | continuous                  |       |       |       |       |
| dimensions            | Ø22.1 x 7.0                 |       |       |       | mm    |
| weight                |                             |       |       | 2.8   | g     |
| material              | PPS                         |       |       |       |       |
| terminal              | surface mount (tin plating) |       |       |       |       |
| operating temperature |                             | -40   |       | 85    | °C    |
| storage temperature   |                             | -40   |       | 90    | °C    |
| washable              | no                          |       |       |       |       |
| RoHS                  | yes                         |       |       |       |       |

Notes: 1. All specifications measured at 5-35°C, humidity at 45-85%, under 86-106 kPa pressure, unless otherwise noted.

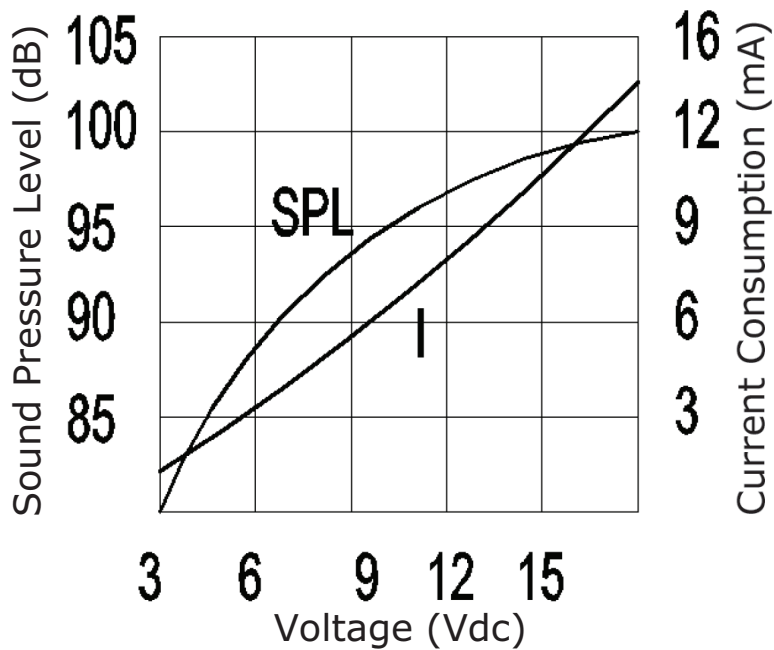
## MECHANICAL DRAWING

units: mm  
tolerance: ±0.5 mm



## PERFORMANCE CURVES

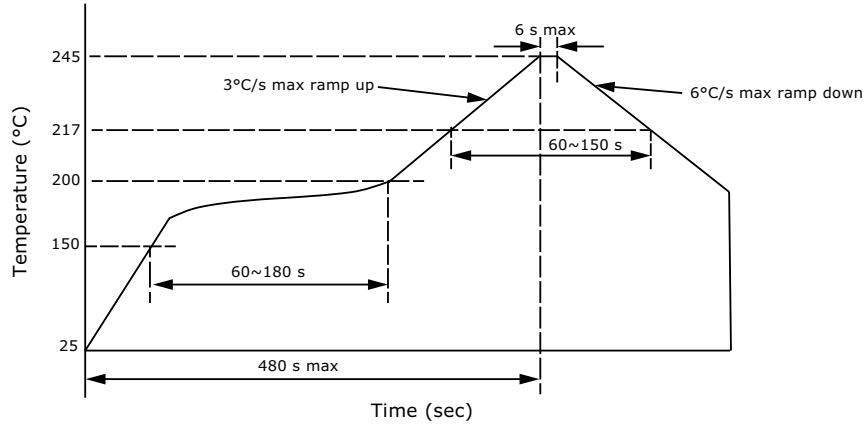
SPL: Voltage vs. Sound Pressure Level  
I: Voltage vs. Current Consumption  
at 10 cm



## SOLDERABILITY

| parameter                      | conditions/description      | min | typ | max | units |
|--------------------------------|-----------------------------|-----|-----|-----|-------|
| reflow soldering <sup>4</sup>  | as per IPC/JEDEC J-STD-020C |     | 240 | 245 | °C    |
| drying conditions <sup>5</sup> | bake at 40°C for 24 hours   |     |     |     |       |

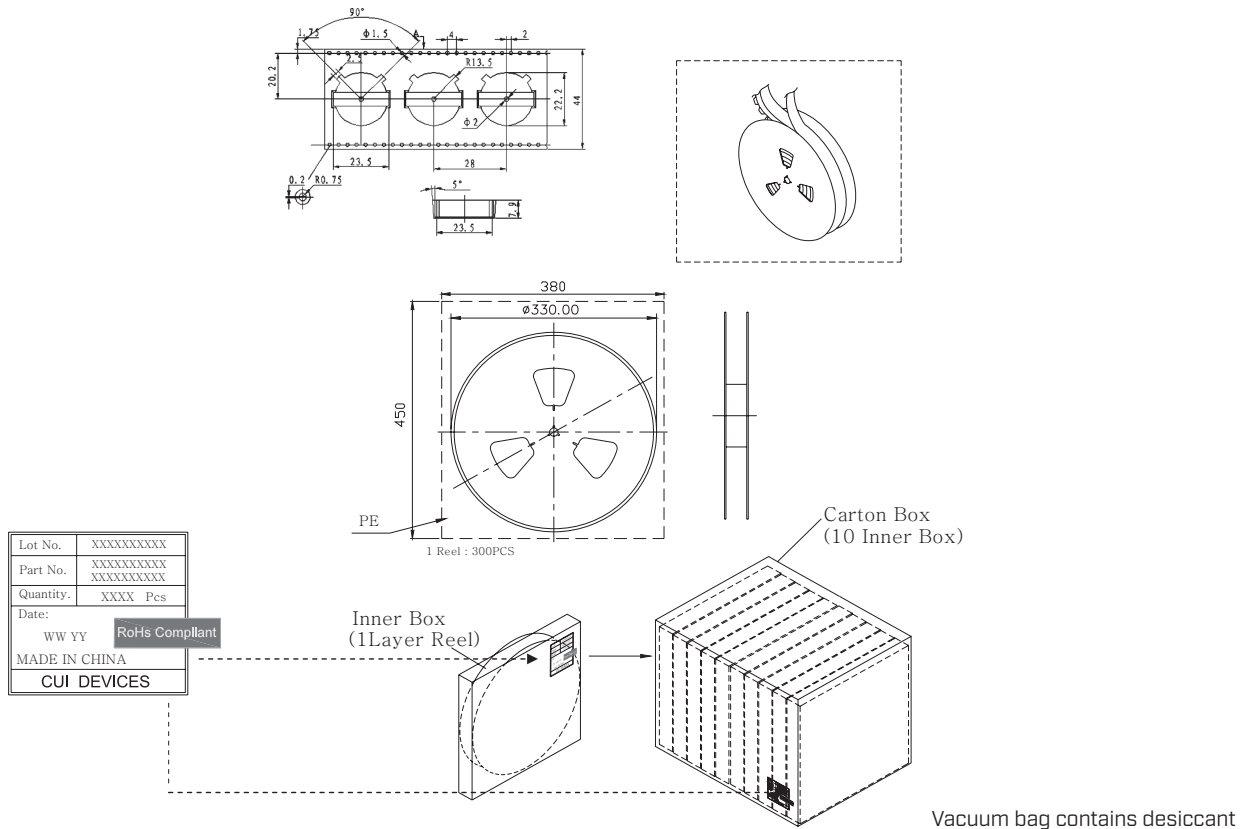
- Note:
- Not suitable for wash process.
  - It is recommended to reflow solder only once.
  - It is recommended to reflow solder within 48 hours from opening vacuum packaging at a temperature <30°C & relative humidity <60%.
  - When out of packaging for more than 48 hours.



## PACKAGING

| parameter                 | conditions/description      | min | typ | max | units |
|---------------------------|-----------------------------|-----|-----|-----|-------|
| reel storage <sup>6</sup> | at relative humidity 15~85% | -10 |     | 40  | °C    |
| reel QTY                  | 300                         |     |     |     |       |
| carton QTY                | 3,000                       |     |     |     |       |

- Note:
- Recommended storage period no more than 6 months. Floor life (out of bag) use immediately.



## REVISION HISTORY

| rev. | description                  | date       |
|------|------------------------------|------------|
| 1.0  | initial release              | 12/12/2019 |
| 1.01 | updated packaging            | 01/08/2020 |
| 1.02 | updated packaging            | 10/06/2020 |
| 1.03 | logo, datasheet style update | 08/05/2022 |

The revision history provided is for informational purposes only and is believed to be accurate.



CUI Devices offers a one (1) year limited warranty. Complete warranty information is listed on our website.

CUI Devices reserves the right to make changes to the product at any time without notice. Information provided by CUI Devices is believed to be accurate and reliable. However, no responsibility is assumed by CUI Devices for its use, nor for any infringements of patents or other rights of third parties which may result from its use.

CUI Devices products are not authorized or warranted for use as critical components in equipment that requires an extremely high level of reliability. A critical component is any component of a life support device or system whose failure to perform can be reasonably expected to cause the failure of the life support device or system, or to affect its safety or effectiveness.

[cuidevices.com](http://cuidevices.com)