

**MODEL:** CPI-1375IC-80T | **DESCRIPTION:** PIEZO BUZZER INDICATOR**FEATURES**

- 12 Vdc rated
- 88 dB
- through hole
- piezo
- internally driven
- narrow frequency range
- used in medical & security applications

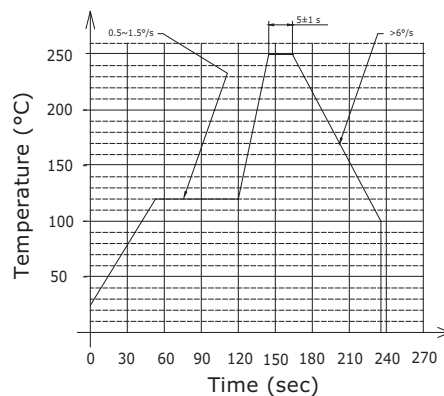
**SPECIFICATIONS**

| parameter             | conditions/description              | min   | typ   | max   | units |
|-----------------------|-------------------------------------|-------|-------|-------|-------|
| rated voltage         |                                     |       | 12    |       | Vdc   |
| operating voltage     |                                     | 3.5   |       | 16    | Vdc   |
| current consumption   | at rated voltage                    |       |       | 7     | mA    |
| rated frequency       | at rated voltage                    | 3,900 | 4,000 | 4,100 | Hz    |
| sound pressure level  | at 10 cm, rated voltage             | 88    |       |       | dB    |
| tone                  | single                              |       |       |       |       |
| dimensions            | Ø13.8 x 7.5                         |       |       |       | mm    |
| weight                |                                     |       | 1.0   |       | g     |
| material              | MPPD                                |       |       |       |       |
| terminal              | pins (red coppber with tin plating) |       |       |       |       |
| operating temperature |                                     | -30   |       | 70    | °C    |
| storage temperature   |                                     | -40   |       | 85    | °C    |
| washable              | yes                                 |       |       |       |       |
| RoHS                  | yes                                 |       |       |       |       |

Notes: 1. All specifications measured at 25±3°C, humidity at 60-70%, under 86-106 kPa pressure, unless otherwise noted.

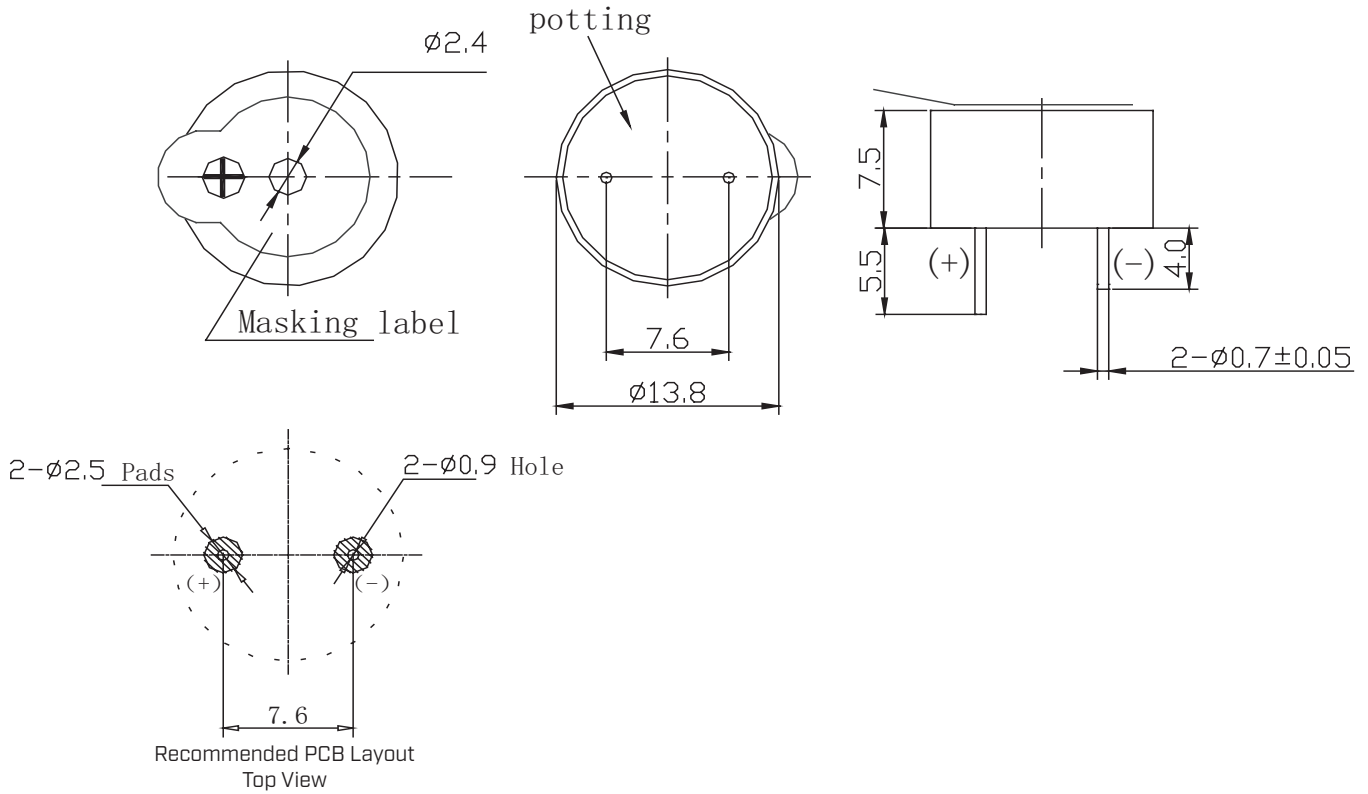
**SOLDERABILITY**

| parameter      | conditions/description                 | min | typ | max | units |
|----------------|--|-----|-----|-----|-------|
| wave soldering | see recommended wave soldering profile |     |     | 250 | °C    |



## MECHANICAL DRAWING

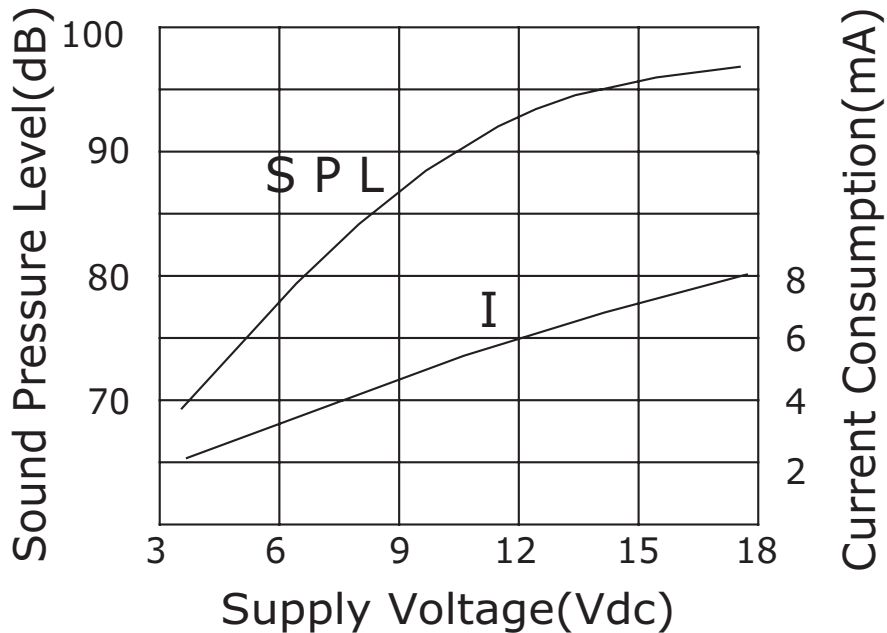
units: mm  
tolerance: ±0.5 mm



## PERFORMANCE CURVES

SPL: Voltage vs. Sound Pressure Level  
I: Voltage vs. Current Consumption

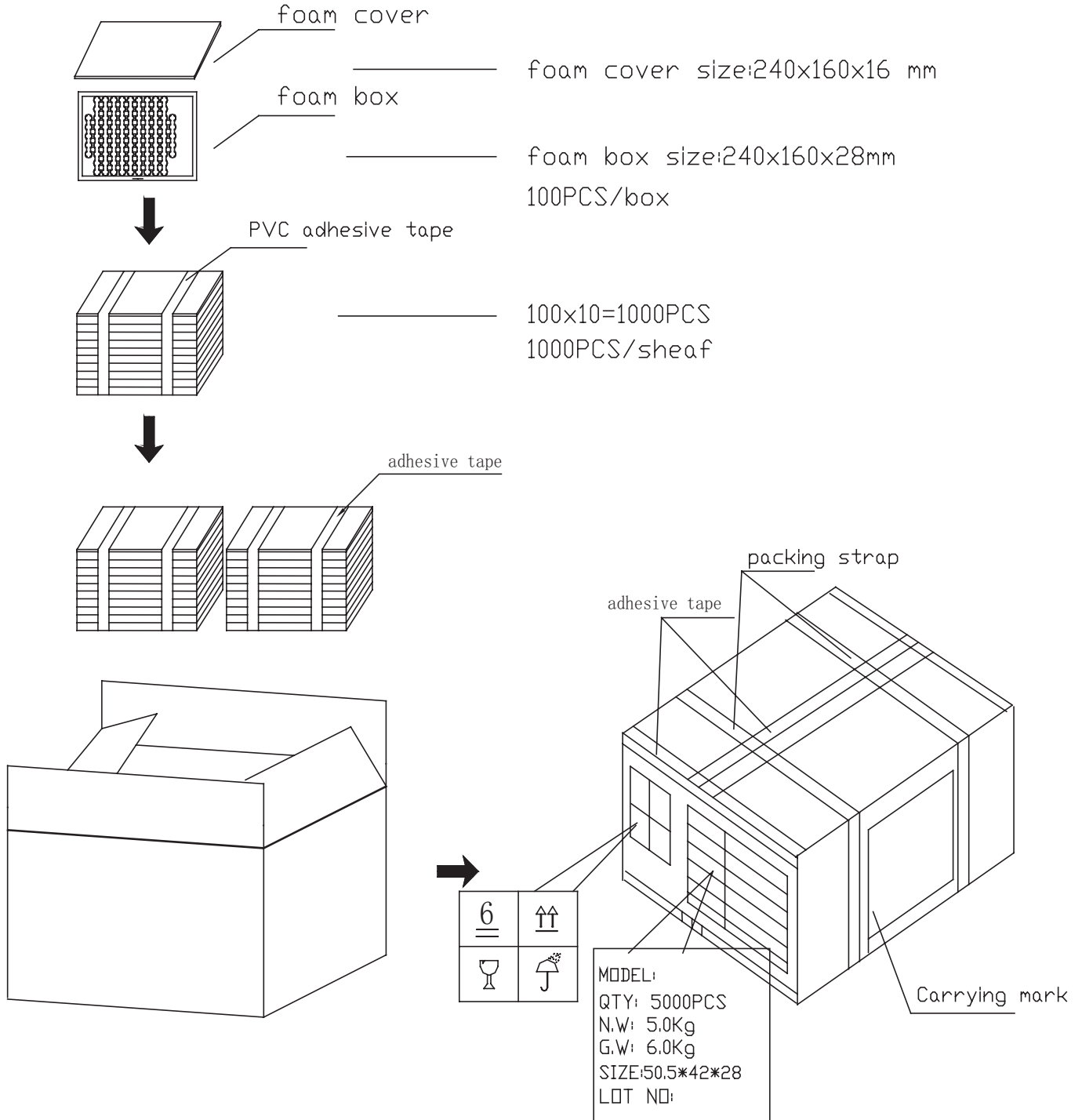
at 10 cm



## PACKAGING

units: mm

Carton Size: 505 x 420 x 280 mm  
Carton QTY: 5,000 pcs per carton



## REVISION HISTORY

| rev. | description                  | date       |
|------|------------------------------|------------|
| 1.0  | initial release              | 11/13/2019 |
| 1.01 | logo, datasheet style update | 08/05/2022 |

The revision history provided is for informational purposes only and is believed to be accurate.



CUI Devices offers a one (1) year limited warranty. Complete warranty information is listed on our website.

CUI Devices reserves the right to make changes to the product at any time without notice. Information provided by CUI Devices is believed to be accurate and reliable. However, no responsibility is assumed by CUI Devices for its use, nor for any infringements of patents or other rights of third parties which may result from its use.

CUI Devices products are not authorized or warranted for use as critical components in equipment that requires an extremely high level of reliability. A critical component is any component of a life support device or system whose failure to perform can be reasonably expected to cause the failure of the life support device or system, or to affect its safety or effectiveness.

[cuidevices.com](http://cuidevices.com)