

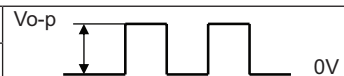
**MODEL:** CMT-2412C-120 | **DESCRIPTION:** MAGNETIC BUZZER TRANSDUCER

**FEATURES**

- externally driven
- wave solderable
- washable



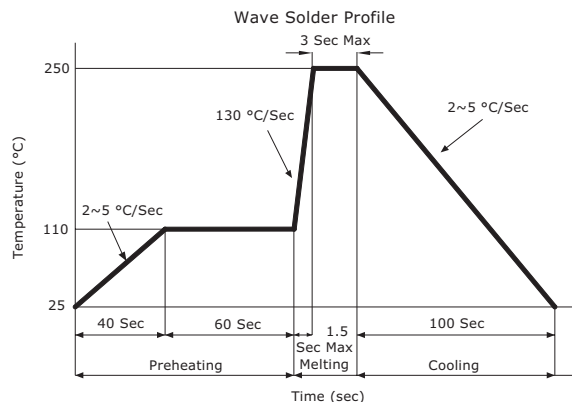
**SPECIFICATIONS**

parameter	conditions/description	min	typ	max	units
rated voltage			12		Vo-p
operating voltage		10		14	Vo-p
current consumption	at rated voltage, 1,000 Hz square wave, ½ duty			100	mA
rated frequency			1,000		Hz
sound pressure level	at 10 cm (A-weight), rated voltage, 1,000 Hz square wave, ½ duty	90	95		dBA
coil resistance		72	80	88	Ω
dimensions	∅24.5 x 12.5				mm
weight			8		g
material	PBT				
terminal	pin type (Sn plating)				
operating temperature		-40		85	°C
storage temperature		-40		85	°C
RoHS	yes				

Notes: 1. All specifications measured at 5-35°C, humidity at 45-85%, under 86-106 kPa pressure, unless otherwise noted.

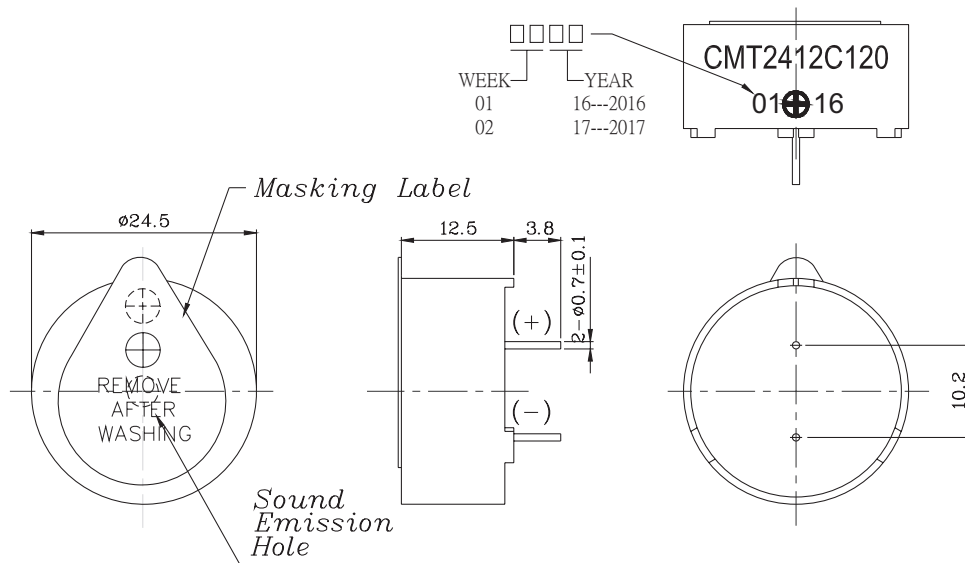
**SOLDERABILITY**

parameter	conditions/description	min	typ	max	units
wave soldering	see recommended wave soldering profile			250	°C

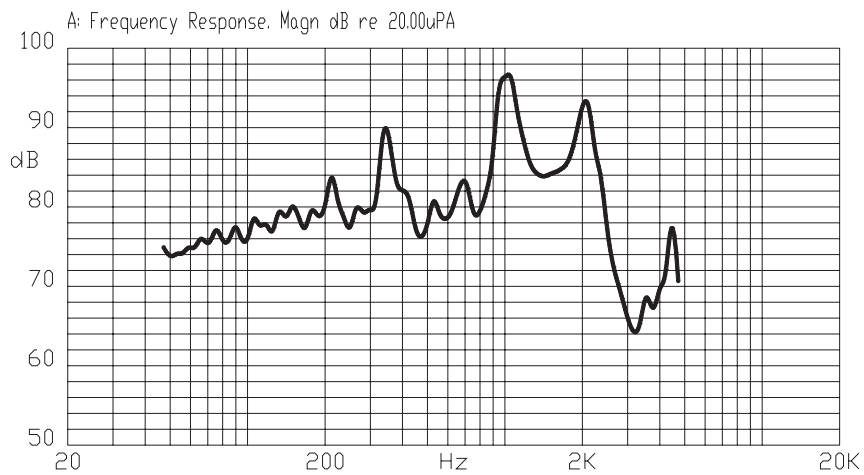


## MECHANICAL DRAWING

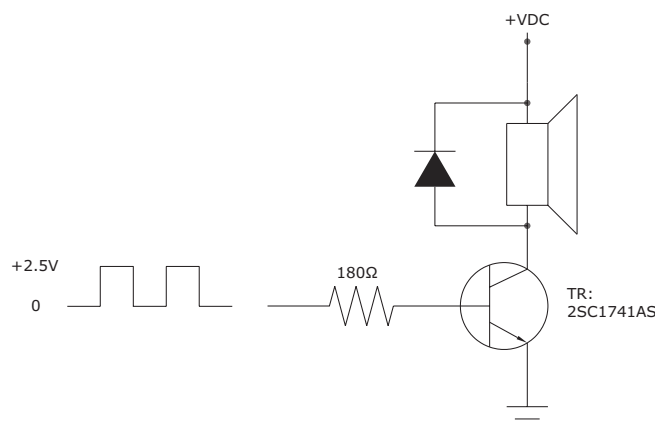
units: mm  
tolerance: ±0.5 mm



## FREQUENCY RESPONSE CURVE



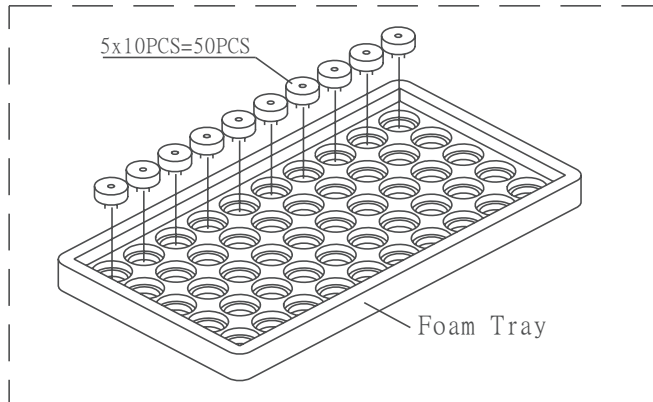
## MEASUREMENT METHOD



## PACKAGING

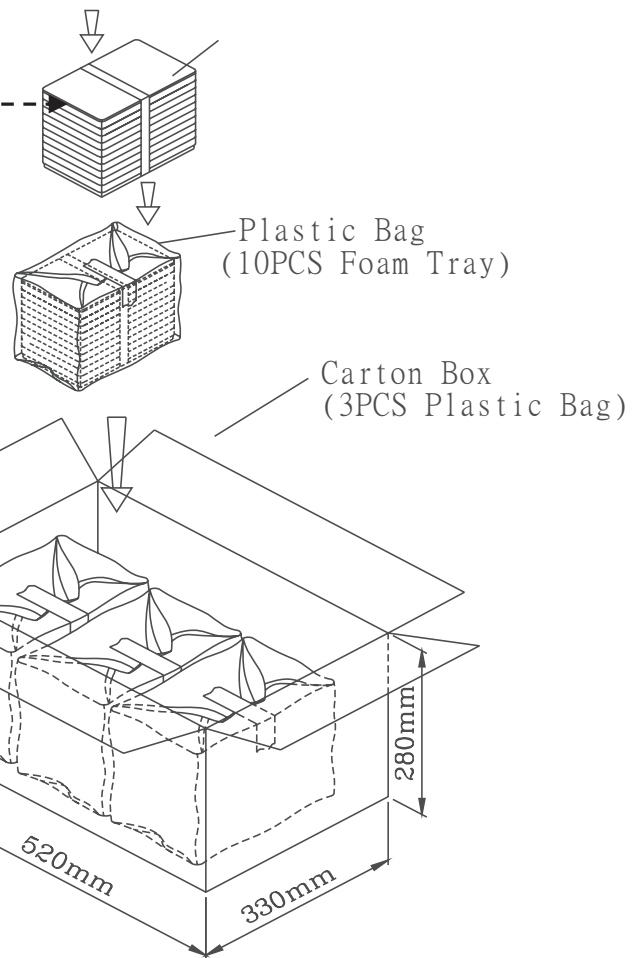
units: mm

Tray Size: 315 x 170 x 280 mm  
 Carton Size: 520 x 330 x 280 mm  
 Tray QTY: 50 pcs per tray  
 Carton QTY: 1,500 pcs per carton



Lot No.	XXXXXXXXXX
Model No.	XXXXXXXXXX
Quantity.	XXXX Pcs
Date:	DD MM YY
	MADE IN CHINA

The label is placed on the inner boxes and outer carton.



## REVISION HISTORY

rev.	description	date
1.0	initial release	03/31/2016
1.01	brand update	12/12/2019
1.02	logo, datasheet style update	08/05/2022

The revision history provided is for informational purposes only and is believed to be accurate.



CUI Devices offers a one (1) year limited warranty. Complete warranty information is listed on our website.

CUI Devices reserves the right to make changes to the product at any time without notice. Information provided by CUI Devices is believed to be accurate and reliable. However, no responsibility is assumed by CUI Devices for its use, nor for any infringements of patents or other rights of third parties which may result from its use.

CUI Devices products are not authorized or warranted for use as critical components in equipment that requires an extremely high level of reliability. A critical component is any component of a life support device or system whose failure to perform can be reasonably expected to cause the failure of the life support device or system, or to affect its safety or effectiveness.

[cuiddevices.com](http://cuiddevices.com)