

MODEL: CMS-4021-34SP-X5 | **DESCRIPTION:** SPEAKER**FEATURES**

- IPX5 rated
- rated 3.0 W
- 4 Ω

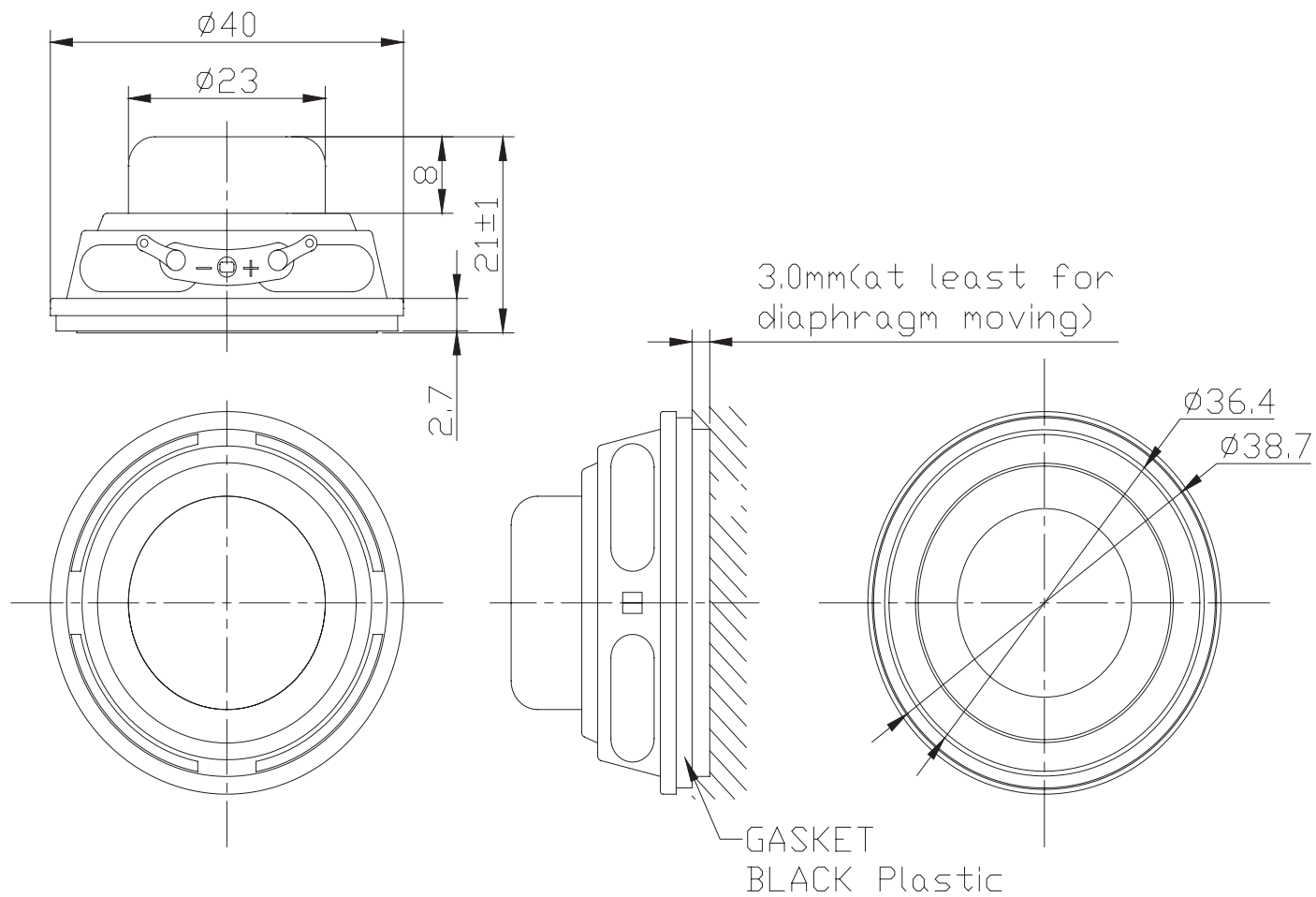
**SPECIFICATIONS**

| parameter | conditions/description | min | typ | max | units |
|-------------------------|---|-----|-----|--------|--------------|
| input power | max power: as per IEC-268-5 | | 3.0 | 5.0 | W |
| impedance | at 1.0 kHz, 1 V | 3.4 | 4 | 4.6 | Ω |
| resonant frequency (Fo) | at 1 V | 144 | 180 | 216 | Hz |
| frequency response | | Fo | | 20,000 | Hz |
| sound pressure level | at 1 W, 50 cm, avg 0.8, 1.0, 1.6, 2.0 kHz | 82 | 85 | 88 | dB |
| distortion | at 1 kHz, 1 W | | | 5 | % |
| buzz, rattle, etc. | must be normal at sine wave, frequency range | | | 3.46 | V |
| polarity | cone moves forward w/ positive dc current to "+" terminal | | | | |
| dimensions | \varnothing 40 x 21 | | | | mm |
| magnet | Nd-Fe-B | | | | |
| frame material | SPCC | | | | |
| cone material | PU+paper+PET | | | | |
| terminal | solder eyelets | | | | |
| weight | | | 28 | | g |
| operating temperature | | -20 | | 60 | $^{\circ}$ C |
| storage temperature | | -20 | | 60 | $^{\circ}$ C |
| hand soldering | for maximum 3 seconds | | | 380 | $^{\circ}$ C |
| RoHS | yes | | | | |
| IP level | IPX5 (front side) | | | | |

Notes: 1. All specifications measured at 15-35 $^{\circ}$ C, humidity at 25-75%, under 86-106 kPa pressure, unless otherwise noted.

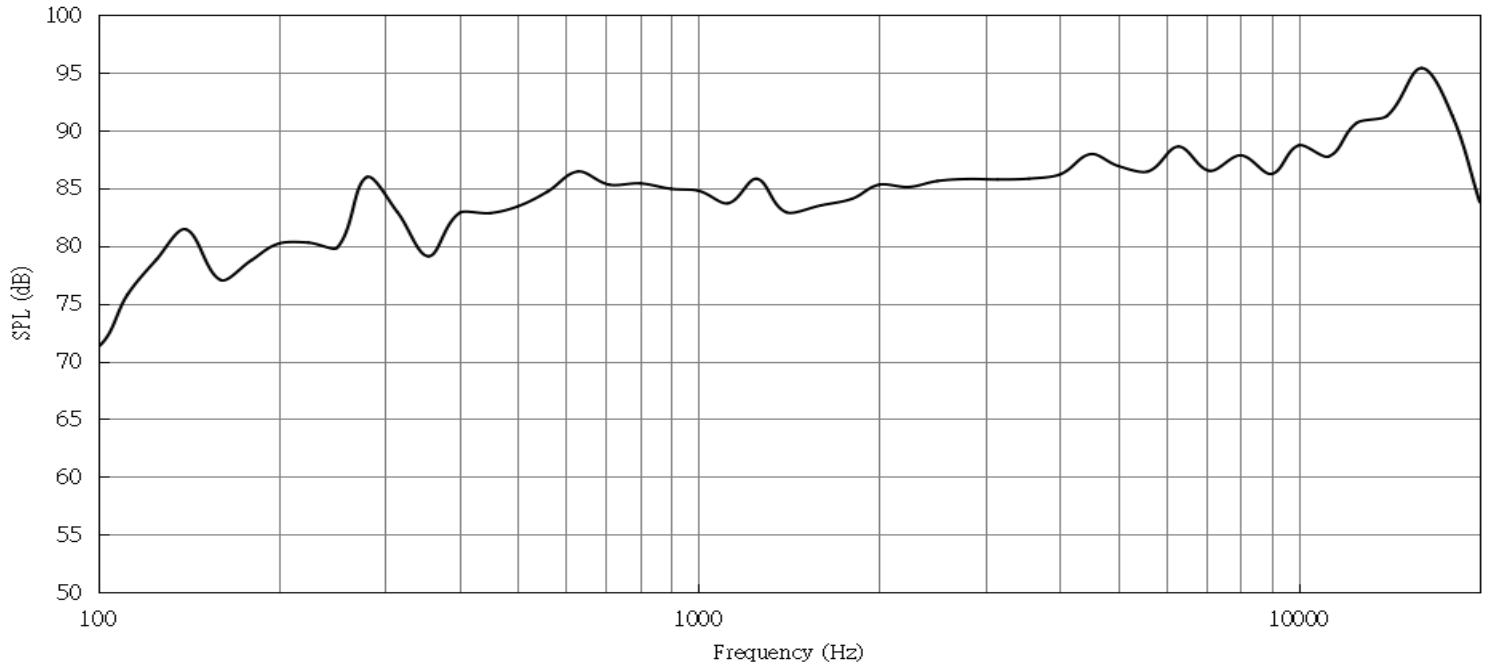
MECHANICAL DRAWING

units: mm
tolerance: ± 0.5 mm

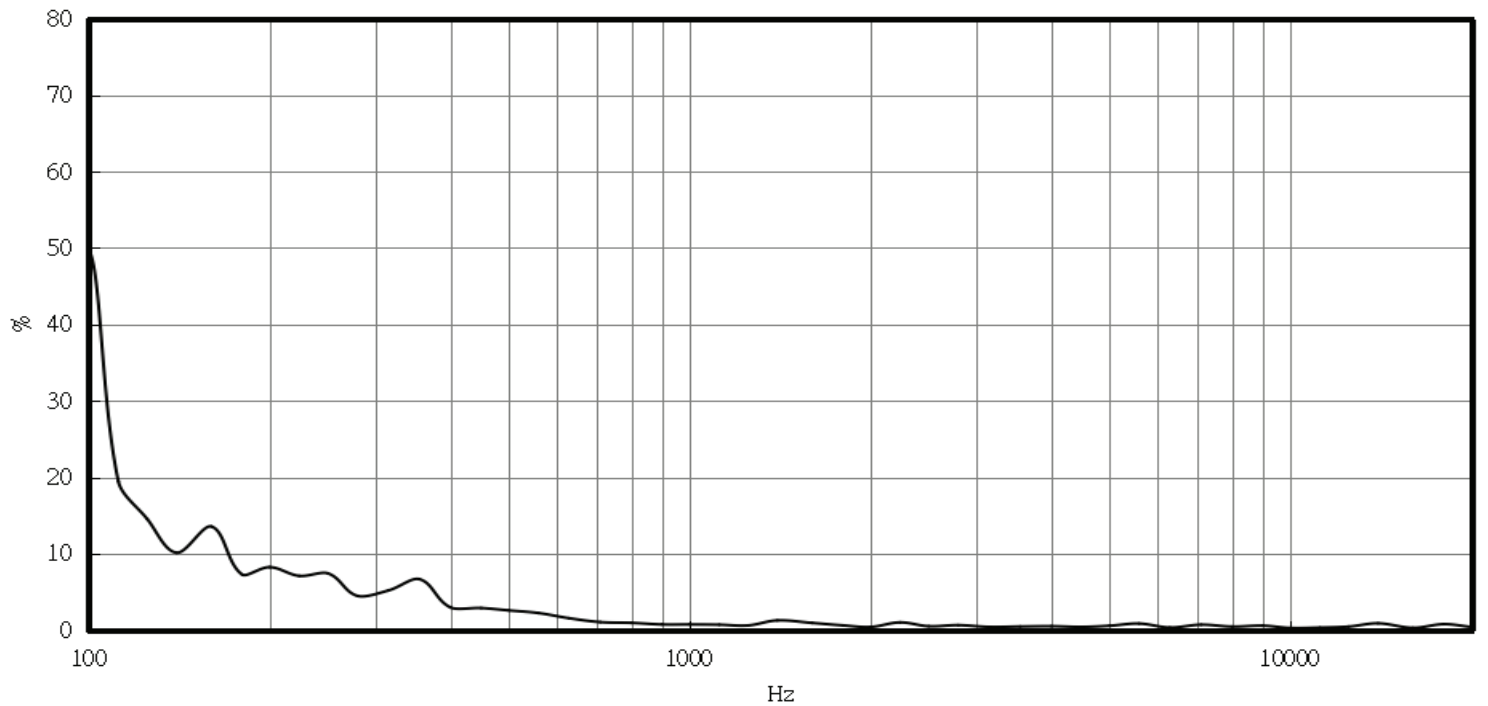


RESPONSE CURVES

Frequency Response Curve



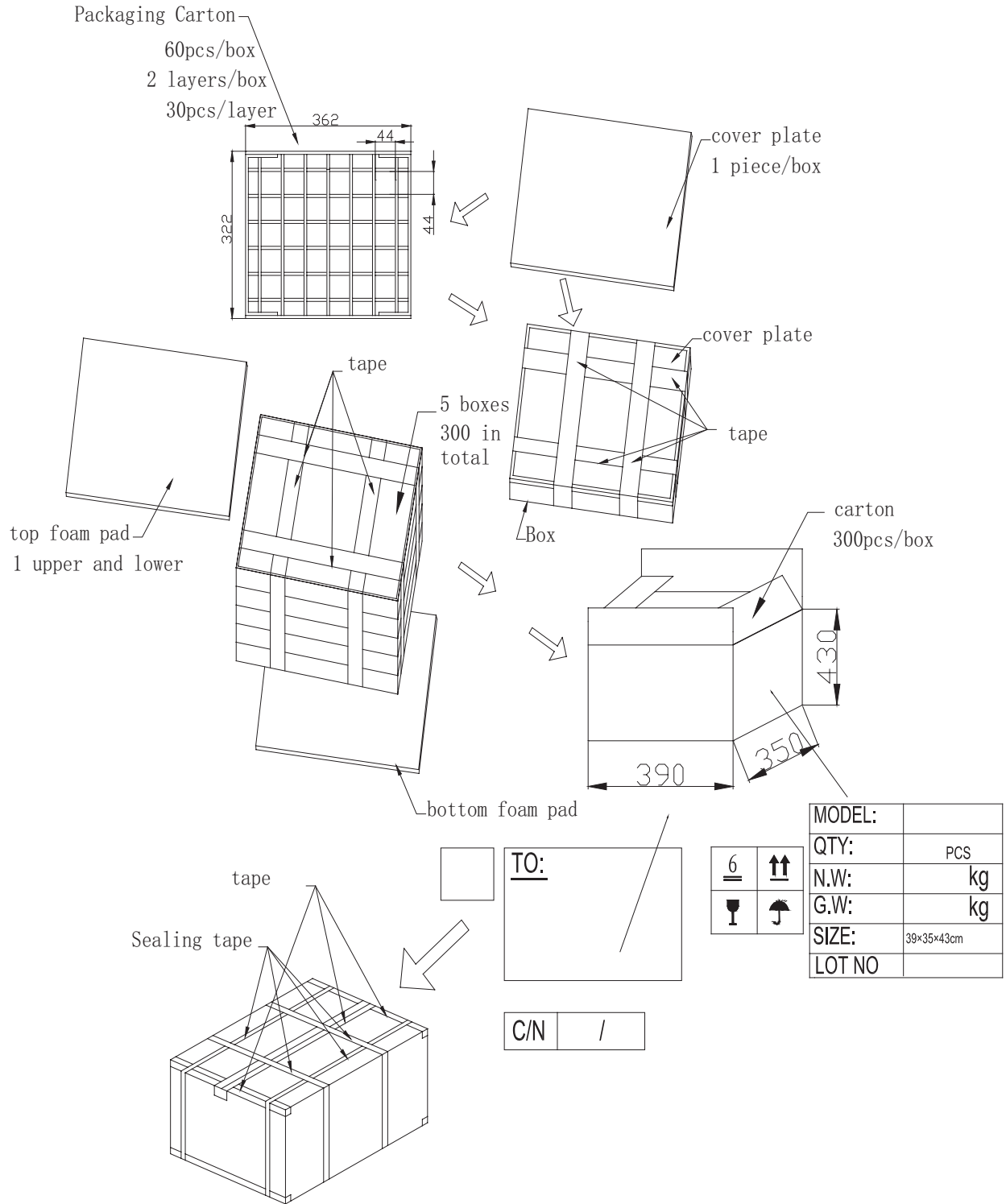
Total Harmonic Distortion Curve



PACKAGING

units: mm

Tray QTY: 60 pcs per tray
 Carton Size: 390 x 350 x 430 mm
 Carton QTY: 300 pcs per carton



REVISION HISTORY

| rev. | description | date |
|------|-----------------|------------|
| 1.0 | initial release | 03/22/2023 |

The revision history provided is for informational purposes only and is believed to be accurate.



CUI Devices offers a one (1) year limited warranty. Complete warranty information is listed on our website.

CUI Devices reserves the right to make changes to the product at any time without notice. Information provided by CUI Devices is believed to be accurate and reliable. However, no responsibility is assumed by CUI Devices for its use, nor for any infringements of patents or other rights of third parties which may result from its use.

CUI Devices products are not authorized or warranted for use as critical components in equipment that requires an extremely high level of reliability. A critical component is any component of a life support device or system whose failure to perform can be reasonably expected to cause the failure of the life support device or system, or to affect its safety or effectiveness.

cuidevices.com