

**MODEL:** CMS-211337-24SP-X8 | **DESCRIPTION:** SPEAKER

**FEATURES**

- IPX8 rated
- rated 2.0 W
- 4  $\Omega$

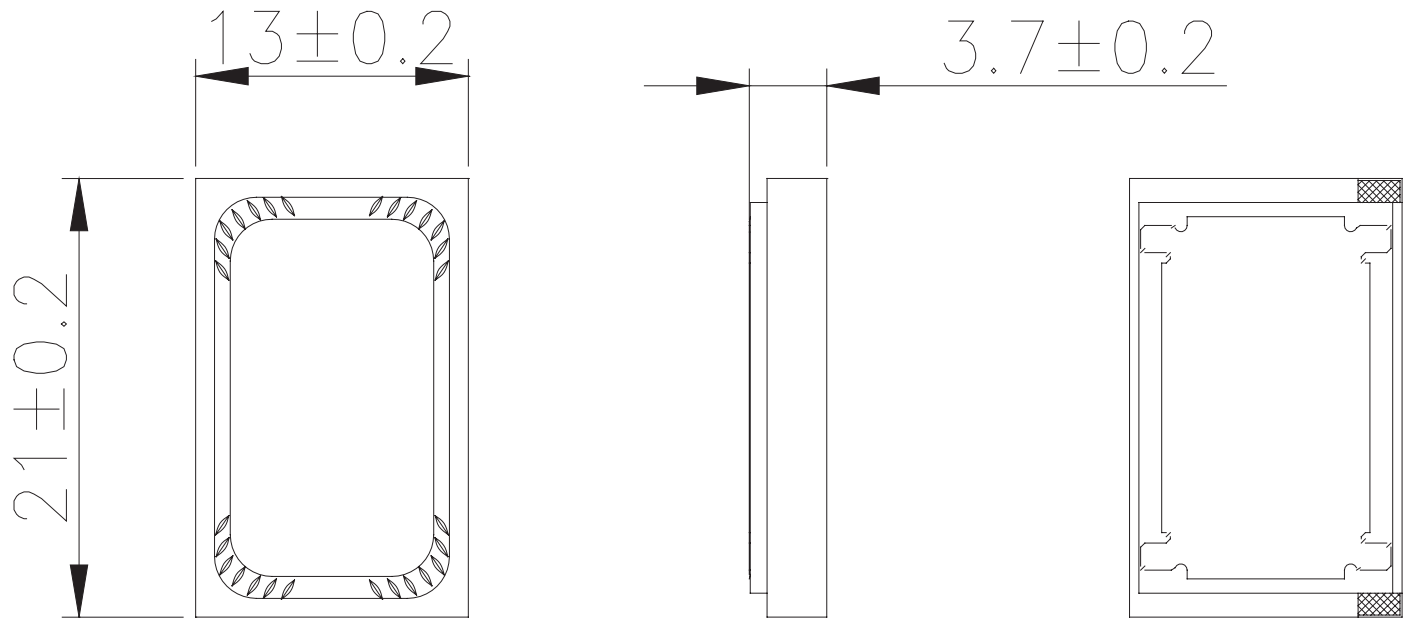

**SPECIFICATIONS**

| parameter               | conditions/description                                    | min | typ   | max    | units        |
|-------------------------|---|-----|-------|--------|--------------|
| input power             | max power: as per IEC-268-5, in 1 cc box                  |     | 2.0   | 2.2    | W            |
| impedance               | at 2.0 kHz, 2.83 Vrms                                     | 3.2 | 4     | 4.8    | $\Omega$     |
| resonant frequency (Fo) | at 2.83 Vrms, 10 cm in 1 cc box                           | 800 | 1,000 | 1,200  | Hz           |
| frequency response      |   | Fo  |       | 20,000 | Hz           |
| sound pressure level    | at 2.83 Vrms, 10 cm, avg 1.0, 1.18, 1.5 kHz, 1 cc box     | 99  | 102   | 105    | dB           |
| distortion              | at 2.0 kHz, 2.83 Vrms, 10 cm in 1 cc box                  |     |       | 10     | %            |
| buzz, rattle, etc.      | must be normal at sine wave, 0.2~ 2 kHz in 1 cc box       |     |       | 2.83   | V            |
| polarity                | cone moves forward w/ positive dc current to "+" terminal |     |       |        |              |
| dimensions              | 21 x 13 x 3.7   |     |       |        | mm           |
| magnet                  | Nd-Fe-B   |     |       |        |              |
| frame material          | PBT   |     |       |        |              |
| cone material           | PEEK  |     |       |        |              |
| terminal                | solder pads   |     |       |        |              |
| weight                  |   |     | 1.5   |        | g            |
| operating temperature   |   | -20 |       | 70     | $^{\circ}$ C |
| storage temperature     |   | -40 |       | 85     | $^{\circ}$ C |
| hand soldering          | for maximum 3 seconds                                     |     |       | 380    | $^{\circ}$ C |
| RoHS                    | yes   |     |       |        |              |
| IP level                | IPX8 (front side)   |     |       |        |              |

Notes: 1. All specifications measured at 15-35 $^{\circ}$ C, humidity at 25-75%, under 86-106 kPa pressure, unless otherwise noted.

## MECHANICAL DRAWING

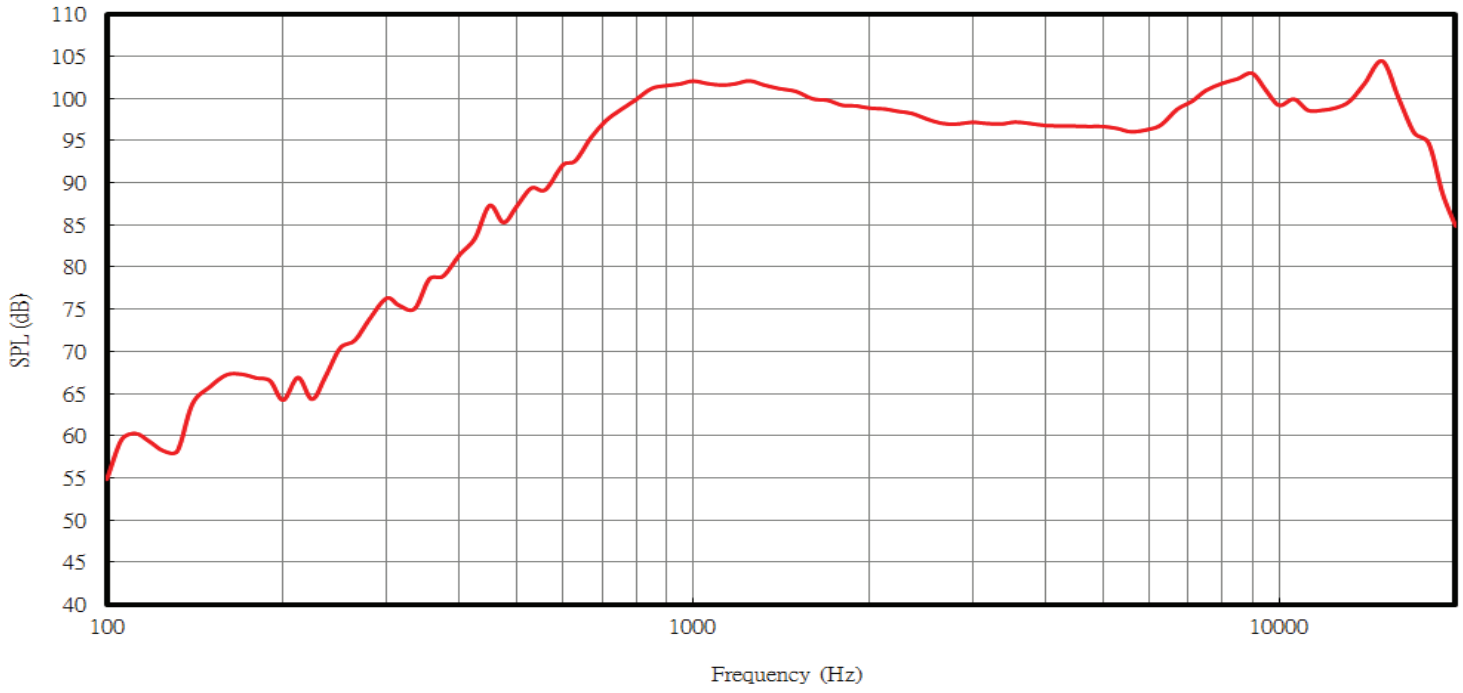
units: mm  
tolerance:  $\pm 0.2$  mm



## RESPONSE CURVES

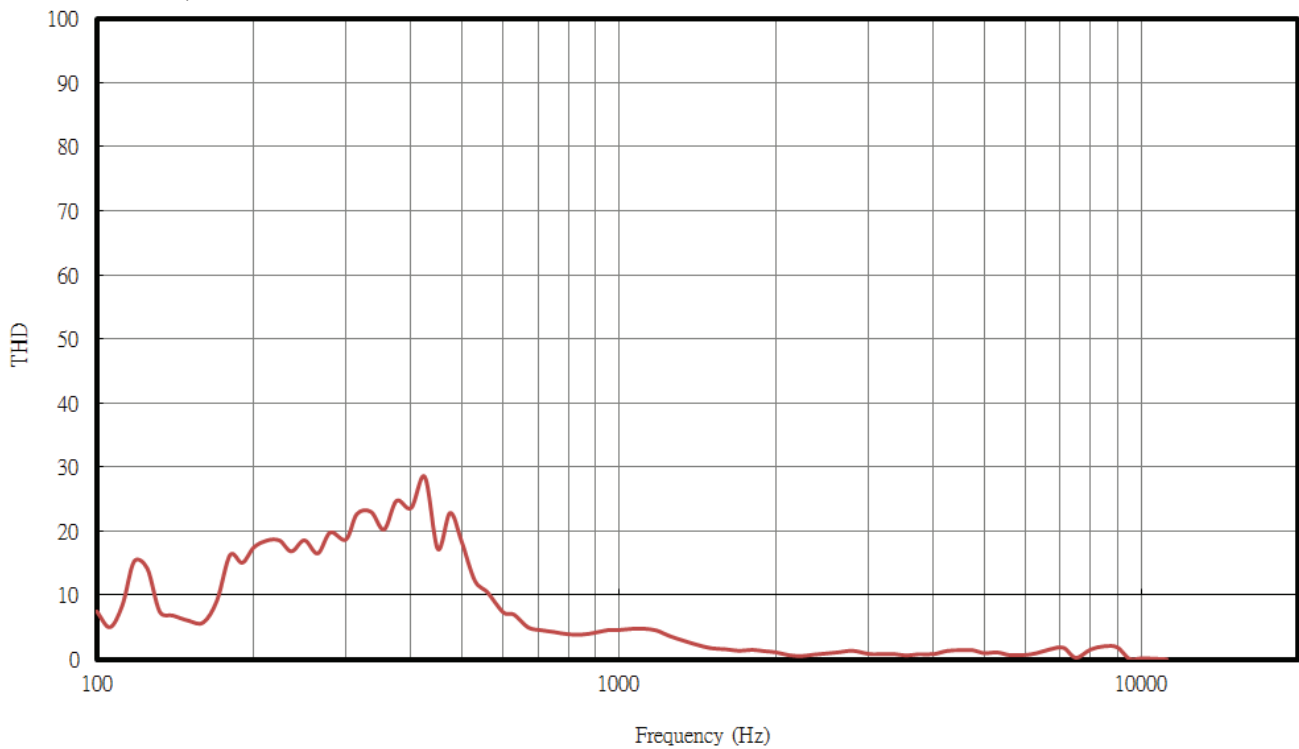
### Frequency Response Curve

Test Conditions: 2.83 Vrms / 10 cm in 1 cc box



### Total Harmonic Distortion Curve

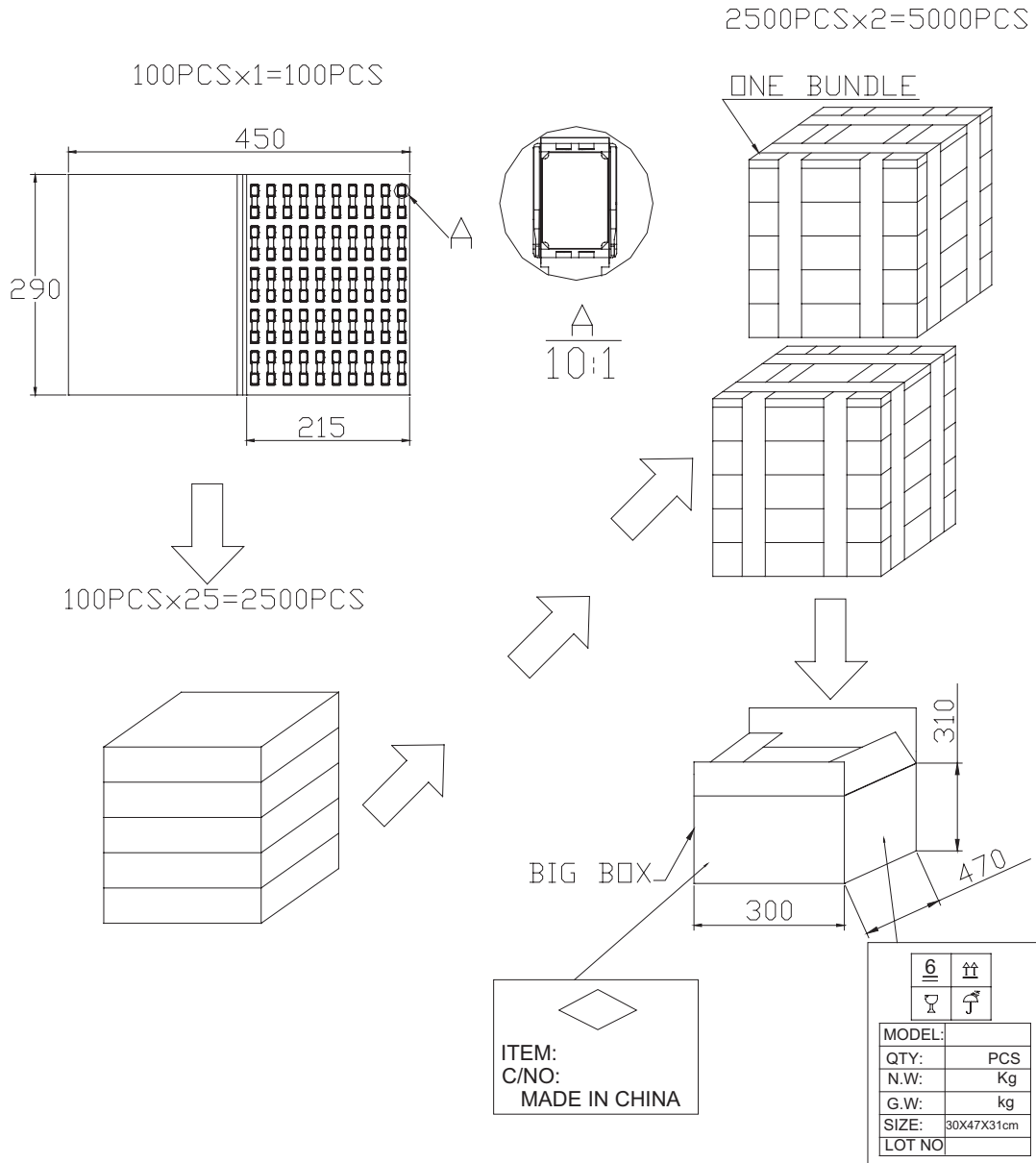
Test Conditions: 2.83 Vrms / 10 cm in 1 cc box



## PACKAGING

units: mm

Tray QTY: 100 pcs per tray  
 Carton Size: 470 x 300 x 310 mm  
 Carton QTY: 5,000 pcs per carton



## REVISION HISTORY

| rev. | description     | date       |
|------|-----------------|------------|
| 1.0  | initial release | 03/22/2023 |

The revision history provided is for informational purposes only and is believed to be accurate.



CUI Devices offers a one (1) year limited warranty. Complete warranty information is listed on our website.

CUI Devices reserves the right to make changes to the product at any time without notice. Information provided by CUI Devices is believed to be accurate and reliable. However, no responsibility is assumed by CUI Devices for its use, nor for any infringements of patents or other rights of third parties which may result from its use.

CUI Devices products are not authorized or warranted for use as critical components in equipment that requires an extremely high level of reliability. A critical component is any component of a life support device or system whose failure to perform can be reasonably expected to cause the failure of the life support device or system, or to affect its safety or effectiveness.

[cuidevices.com](http://cuidevices.com)