



SERIES: CLI-3623X-95T | DESCRIPTION: PIEZO BUZZER INDICATOR

FEATURES

- four color options
- constant tone
- indicator
- mounting nut included



SPECIFICATIONS

| parameter | conditions/description | min | typ | max | units |
|-----------------------|-------------------------|-------|-------|-------|-------|
| rated voltage | | | 12 | | Vdc |
| operating voltage | | 3 | | 15 | Vdc |
| current consumption | at rated voltage | | | 18 | mA |
| rated frequency | | 3,000 | 3,500 | 4,000 | Hz |
| sound pressure level | at 30 cm, rated voltage | 95 | | | dB |
| tone | constant | | | | |
| dimensions | Ø36.5 x 23.5 | | | | mm |
| weight | | | 21 | | g |
| material | ABS 757 (UL94HB) | | | | |
| terminal | pins (tin plated brass) | | | | |
| operating temperature | | -20 | | 70 | °C |
| storage temperature | | -30 | | 80 | °C |
| washable | no | | | | |
| RoHS | yes | | | | |

Notes: 1. All specifications measured at 25±2°C, humidity at 45-60%, unless otherwise noted.

SOLDERABILITY

| parameter | conditions/description | min | typ | max | units |
|----------------|------------------------|-----|-----|-----|-------|
| hand soldering | for maximum 5 seconds | 330 | 350 | 370 | °C |
| wave soldering | for maximum 5 seconds | 255 | 260 | 265 | °C |

PART NUMBER KEY

CLI - 3623 X - 95T

Base Number

LED Color Options:

R = red

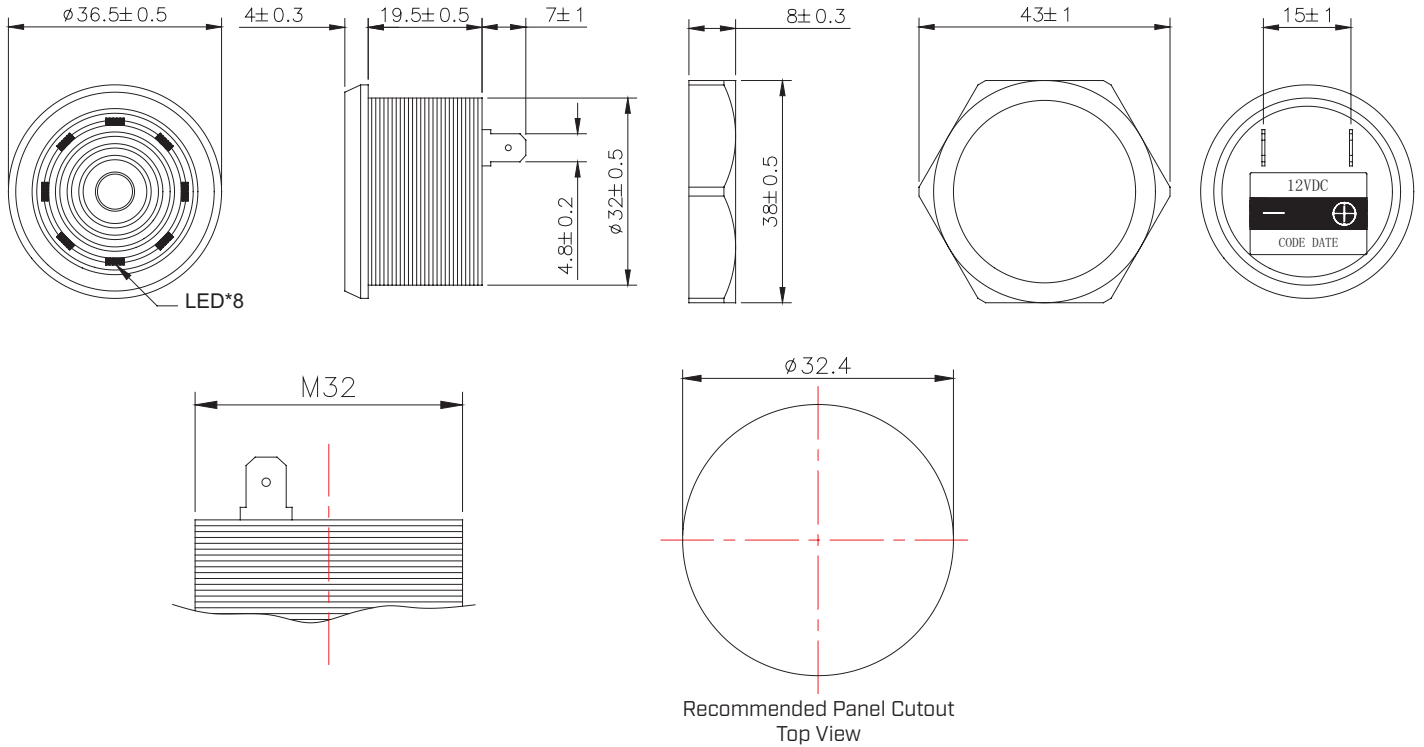
B = blue

G = green

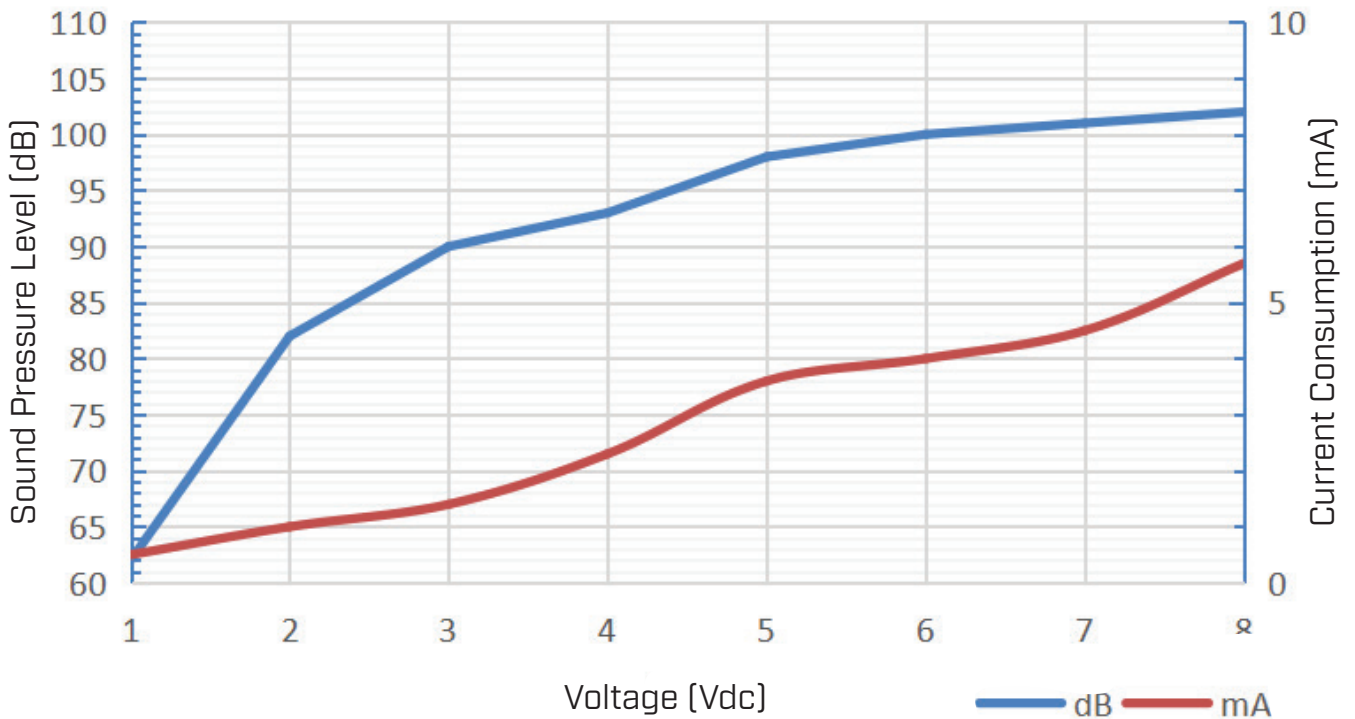
Y = yellow

MECHANICAL DRAWING

units: mm
tolerance: ±0.5 mm



PERFORMANCE CURVES



REVISION HISTORY

| rev. | description | date |
|------|-----------------|------------|
| 1.0 | initial release | 09/13/2023 |

The revision history provided is for informational purposes only and is believed to be accurate.



CUI Devices offers a one (1) year limited warranty. Complete warranty information is listed on our website.

CUI Devices reserves the right to make changes to the product at any time without notice. Information provided by CUI Devices is believed to be accurate and reliable. However, no responsibility is assumed by CUI Devices for its use, nor for any infringements of patents or other rights of third parties which may result from its use.

CUI Devices products are not authorized or warranted for use as critical components in equipment that requires an extremely high level of reliability. A critical component is any component of a life support device or system whose failure to perform can be reasonably expected to cause the failure of the life support device or system, or to affect its safety or effectiveness.

cuidevices.com