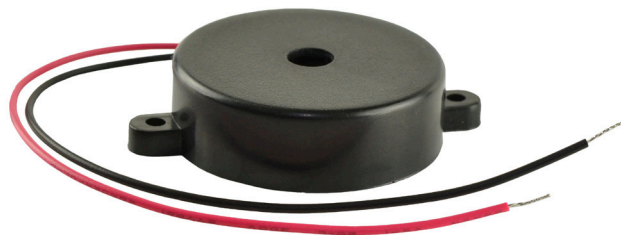


**MODEL:** CPT-3095C-300 | **DESCRIPTION:** PIEZO BUZZER TRANSDUCER

**FEATURES**

- externally driven
- wire leads
- 86 dB SPL


**SPECIFICATIONS**

| parameter              | conditions/description                  | min    | typ    | max    | units |
|------------------------|---|--------|--------|--------|-------|
| operating voltage      |   |        |        | 30     | Vp-p  |
| current consumption    | at 10 Vp-p, 2,500 Hz square wave        |        |        | 9      | mA    |
| rated frequency        |   |        | 2,500  |        | Hz    |
| sound pressure level   | at 10 cm, 10 Vp-p, 2,500 Hz square wave | 86     |        |        | dB    |
| electrostatic capacity | at 1,000 Hz/1 V                         | 21,000 | 30,000 | 39,000 | pF    |
| dimensions             | Ø30.0 x 9.5                             |        |        |        | mm    |
| weight                 |   |        |        | 4.3    | g     |
| material               | ABS UL94 1/16" HB High Heat             |        |        |        |       |
| terminal               | wire type                               |        |        |        |       |
| operating temperature  |   | -30    |        | 85     | °C    |
| storage temperature    |   | -40    |        | 95     | °C    |
| RoHS                   | yes                                     |        |        |        |       |

Notes: 1. All specifications measured at 5-35°C, humidity at 45-85%, under 86-106 kPa pressure, unless otherwise noted.

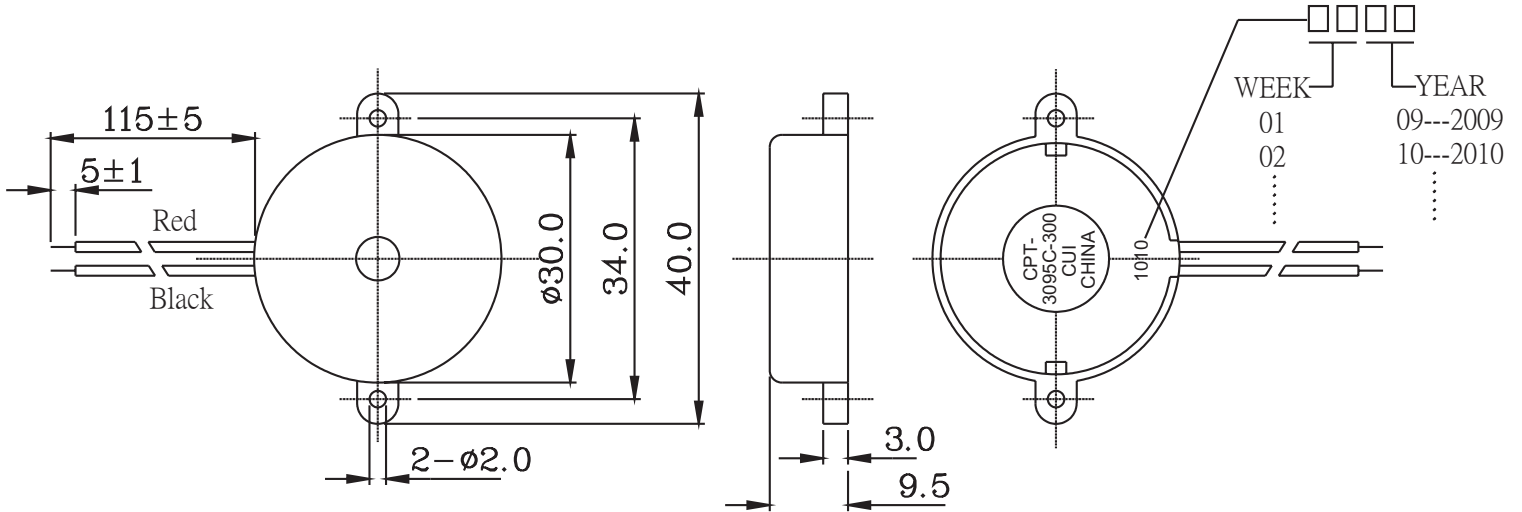
**SOLDERABILITY**

| parameter      | conditions/description | min | typ | max | units |
|----------------|------------------------|-----|-----|-----|-------|
| hand soldering | for maximum 2 seconds  | 330 |     | 380 | °C    |

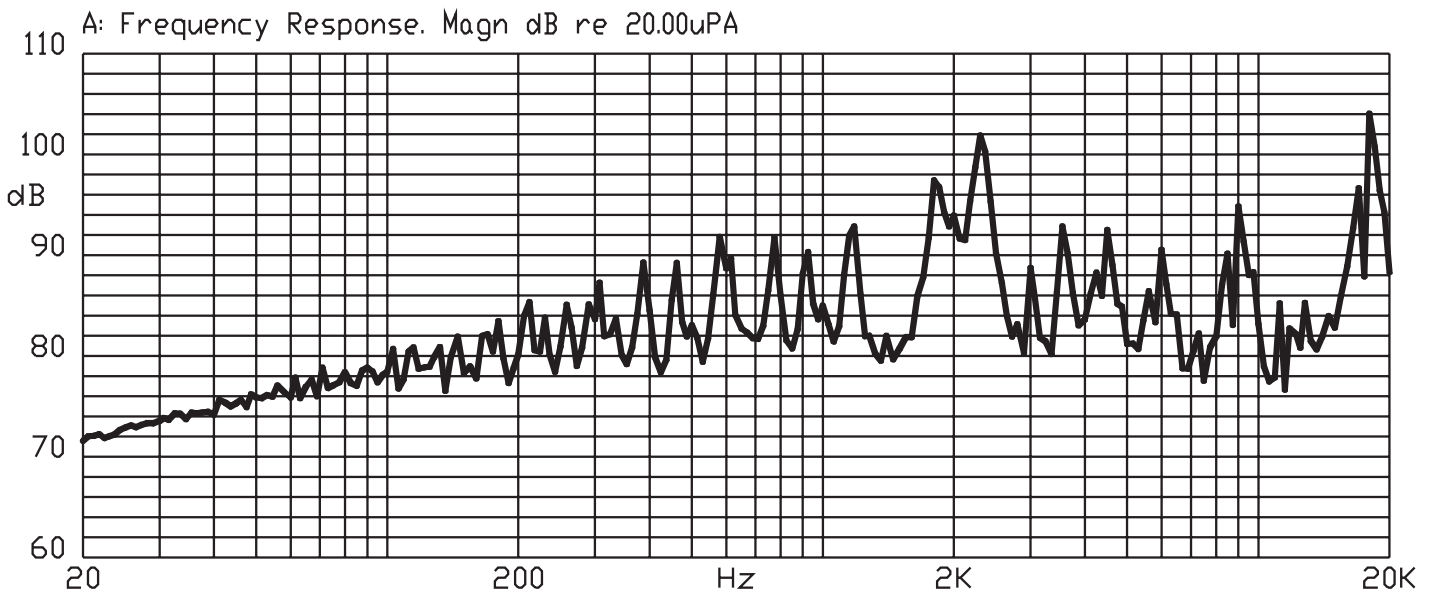
## MECHANICAL DRAWING

units: mm  
tolerance: ±0.5 mm

wire: UL1095 LF 28 AWG



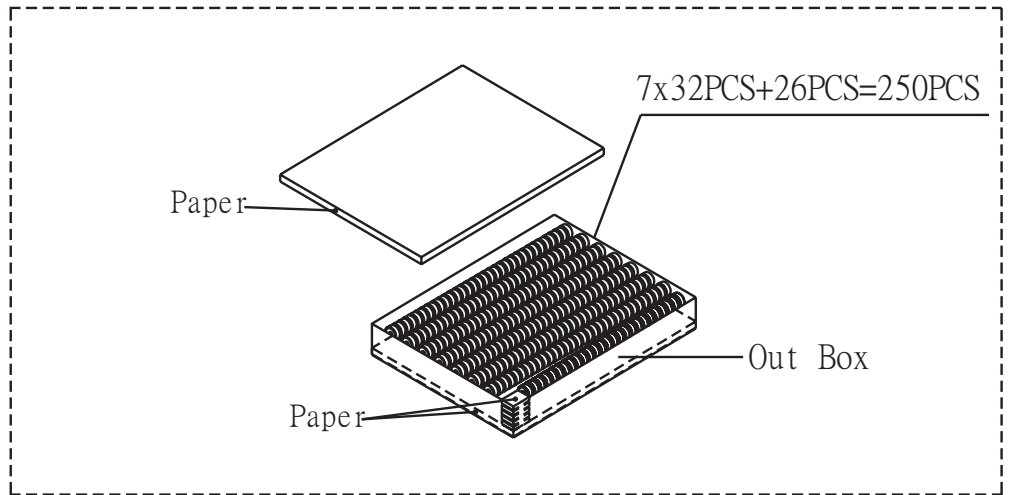
## FREQUENCY RESPONSE CURVE




## PACKAGING

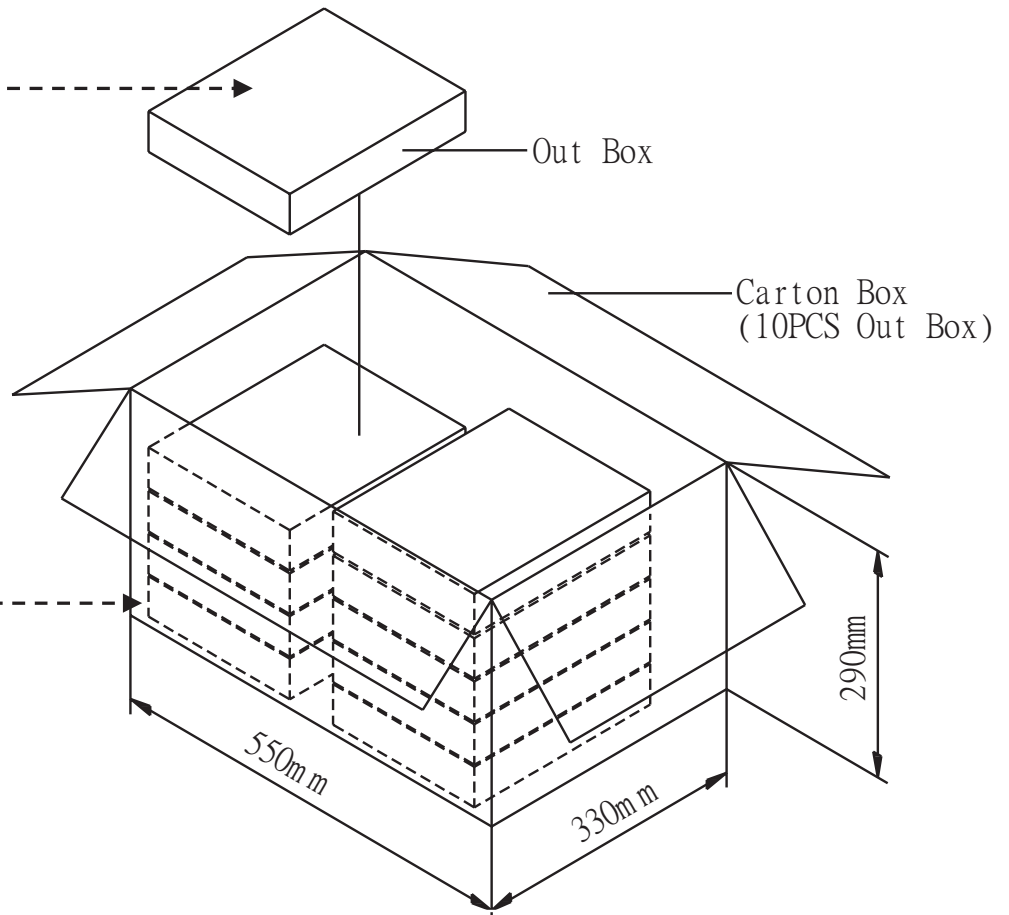
units: mm

Outer Box Size: 310 x 248 x 49 mm  
 Carton Size: 550 x 330 x 290 mm  
 Outer Box QTY: 250 pcs per outer box  
 Carton QTY: 2,500 pcs per carton



|   |            |
|---|------------|
| Lot No.   | XXXXXXXXXX |
| Model No.   | XXXXXXXXXX |
| Quantity.   | XXXX Pcs   |
| Date:   | DD MM YY   |
| MADE IN CHINA  |            |

The label is placed on the inner boxes and outer carton.



## REVISION HISTORY

| rev. | description                  | date       |
|------|------------------------------|------------|
| 1.0  | initial release              | 03/31/2016 |
| 1.01 | brand update                 | 12/05/2019 |
| 1.02 | logo, datasheet style update | 08/05/2022 |

The revision history provided is for informational purposes only and is believed to be accurate.



CUI Devices offers a one (1) year limited warranty. Complete warranty information is listed on our website.

CUI Devices reserves the right to make changes to the product at any time without notice. Information provided by CUI Devices is believed to be accurate and reliable. However, no responsibility is assumed by CUI Devices for its use, nor for any infringements of patents or other rights of third parties which may result from its use.

CUI Devices products are not authorized or warranted for use as critical components in equipment that requires an extremely high level of reliability. A critical component is any component of a life support device or system whose failure to perform can be reasonably expected to cause the failure of the life support device or system, or to affect its safety or effectiveness.

[cuidevices.com](http://cuidevices.com)