

MODEL: CPT-2272C-200 | **DESCRIPTION:** PIEZO BUZZER TRANSDUCER

FEATURES

- externally driven
- through hole
- 90 dB SPL


SPECIFICATIONS

parameter	conditions/description	min	typ	max	units
operating voltage		3		30	Vp-p
current consumption	at 12 Vp-p, 4,000 Hz square wave			12	mA
rated frequency			4,000		Hz
sound pressure level	at 10 cm, 12 Vp-p, 4,000 Hz square wave	90			dB
electrostatic capacity	at 120 Hz/1 V	16,900	26,000	35,100	pF
dimensions	Ø22.0 x 6.8				mm
weight				2.25	g
material	PBT				
terminal	pin type (Sn plating)				
operating temperature		-35		80	°C
storage temperature		-40		80	°C
RoHS	yes				

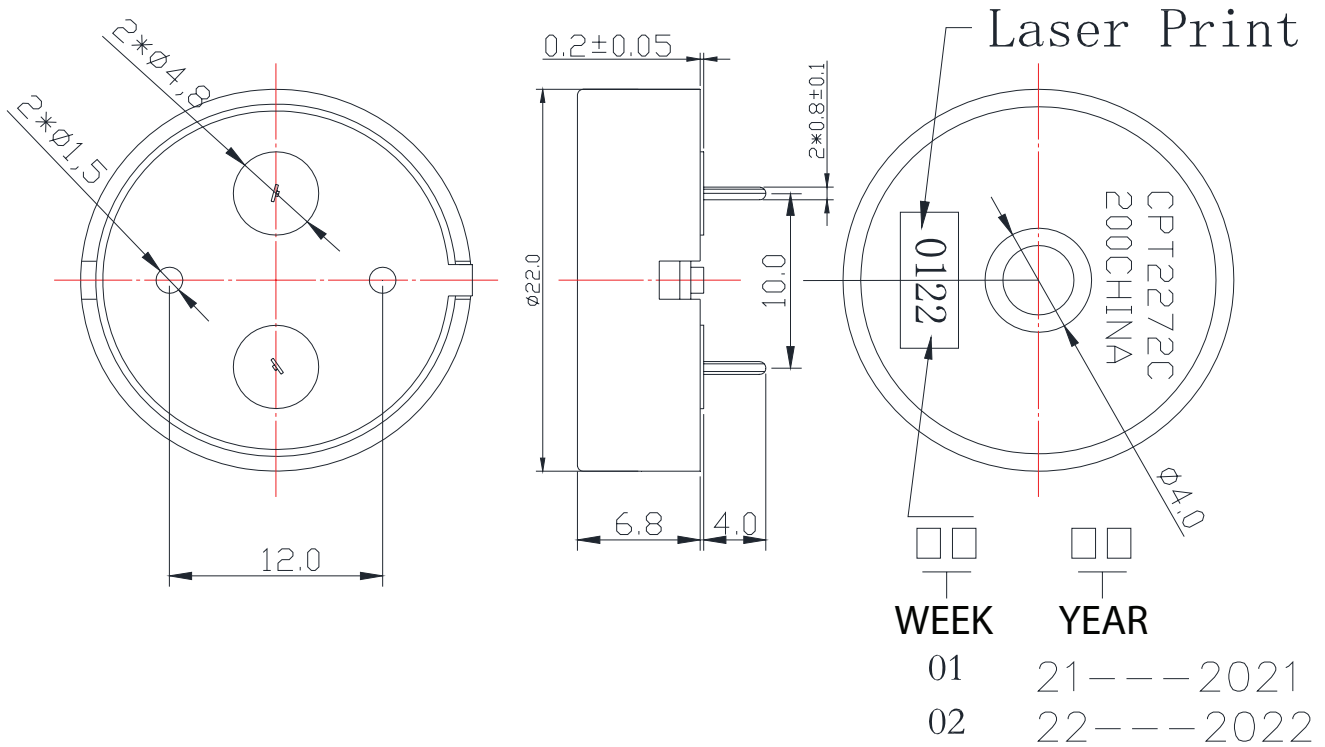
Notes: 1. All specifications measured at 5-35°C, humidity at 45-85%, under 86-106 kPa pressure, unless otherwise noted.

SOLDERABILITY

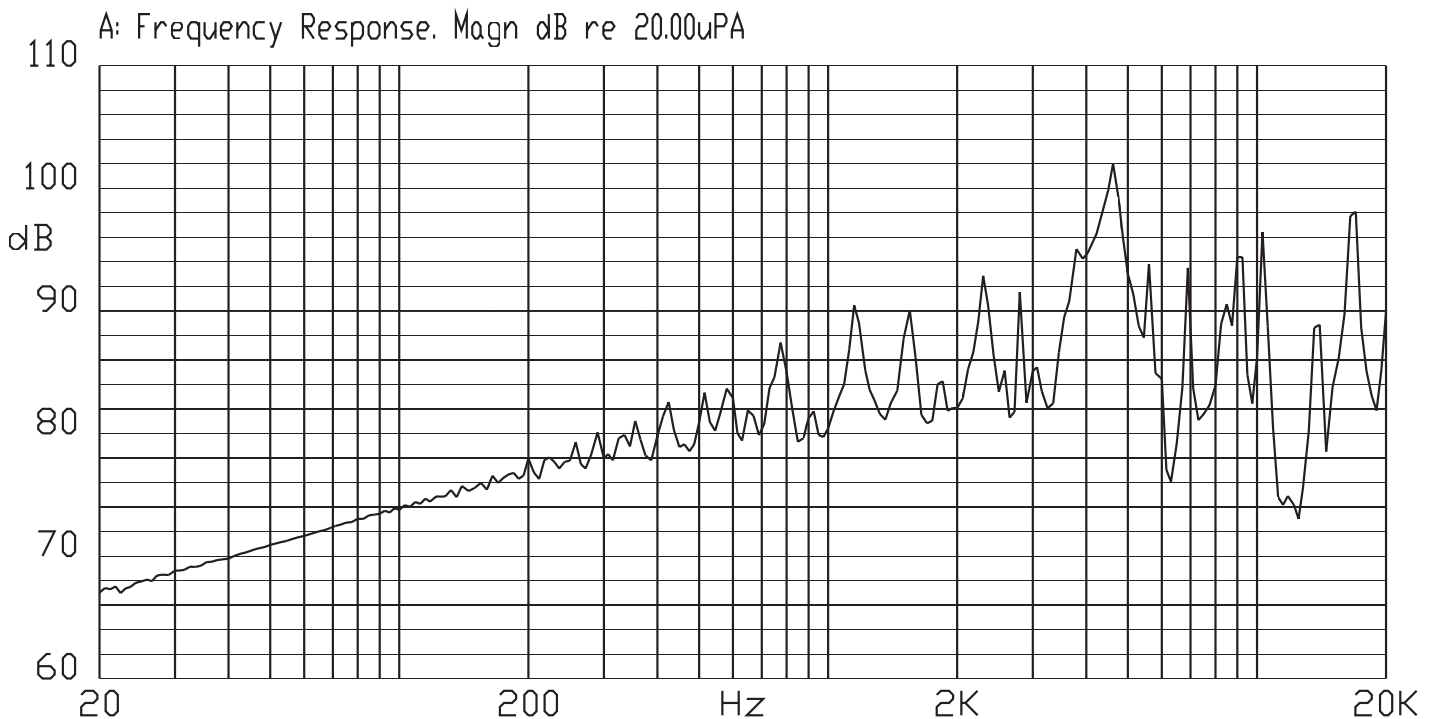
parameter	conditions/description	min	typ	max	units
hand soldering	for maximum 2 seconds	330		380	°C

MECHANICAL DRAWING

units: mm
tolerance: ±0.5 mm



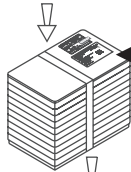
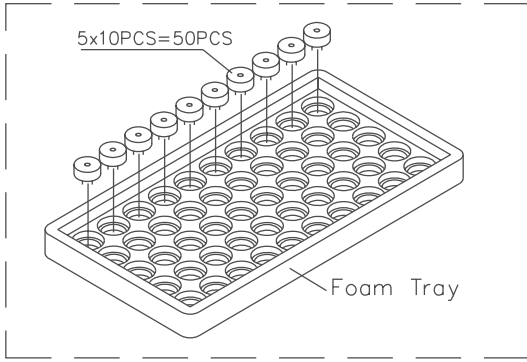
FREQUENCY RESPONSE CURVE



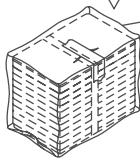
PACKAGING

units: mm

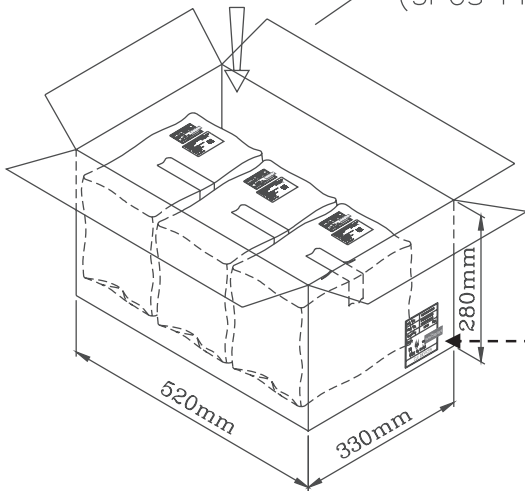
Outer Box Size: 315 x 170 x 28 mm
 Carton Size: 520 x 330 x 280 mm
 Outer Box QTY: 50 pcs per outer box
 Carton QTY: 1,500 pcs per carton



(10PCS Foam Tray)



Carton Box
(5PCS Plastic Bag)



Lot No.	XXXXXXXXXX
Part No.	XXXXXXXXXX XXXXXXXXXX
Quantity	XXXX Pcs
Date:	DD MM YY
MADE IN CHINA	
CUI DEVICES	



Lot No.	XXXXXXXXXX
Part No.	XXXXXXXXXX XXXXXXXXXX
Quantity	XXXX Pcs
Date:	DD MM YY
MADE IN CHINA	
CUI DEVICES	

REVISION HISTORY

rev.	description	date
1.0	initial release	03/31/2016
1.01	brand update	11/22/2019
1.02	logo, datasheet style update	08/05/2022
1.03	modified design	06/02/2023

The revision history provided is for informational purposes only and is believed to be accurate.



CUI Devices offers a one (1) year limited warranty. Complete warranty information is listed on our website.

CUI Devices reserves the right to make changes to the product at any time without notice. Information provided by CUI Devices is believed to be accurate and reliable. However, no responsibility is assumed by CUI Devices for its use, nor for any infringements of patents or other rights of third parties which may result from its use.

CUI Devices products are not authorized or warranted for use as critical components in equipment that requires an extremely high level of reliability. A critical component is any component of a life support device or system whose failure to perform can be reasonably expected to cause the failure of the life support device or system, or to affect its safety or effectiveness.

cuidevices.com