

**MODEL:** CBL-UA-UJ2-1 | **DESCRIPTION:** USB CABLE**FEATURES**

- USB 2.0
- type A male to type A female
- 1 meter
- PVC jacket

**SPECIFICATIONS**

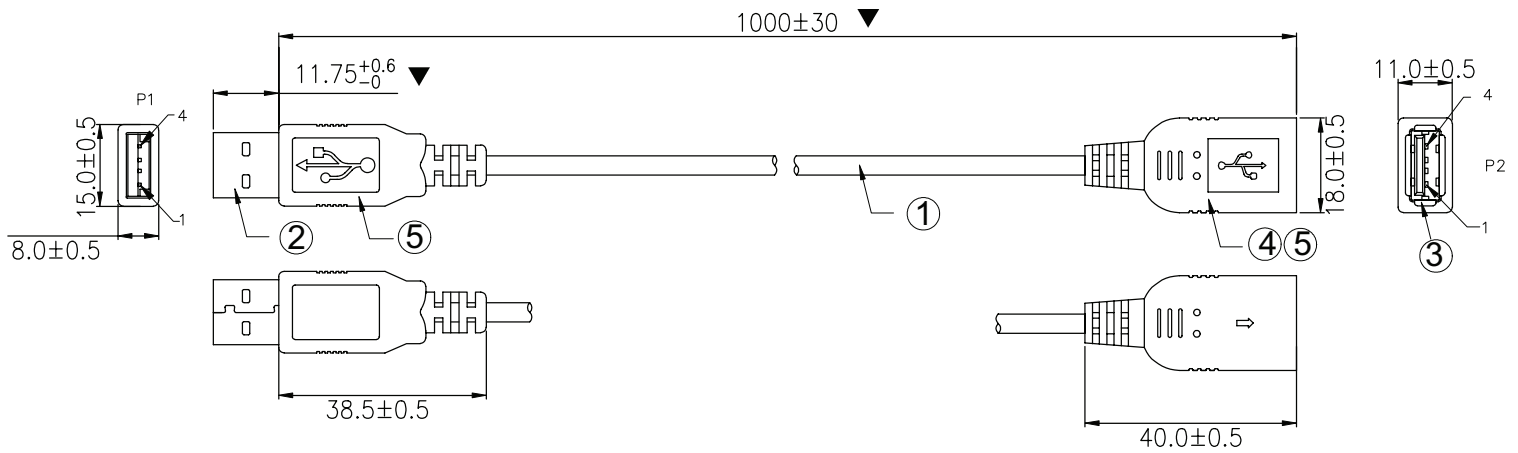
parameter	conditions/description	min	typ	max	units
rated voltage			20		Vdc
rated current				1	A
conductor resistance				3	$\Omega$
insulation resistance	at 300 Vdc / 10 ms	10			M $\Omega$
operating temperature		-20		80	$^{\circ}$ C
storage temperature		-25		80	$^{\circ}$ C
flammability rating	UL94V-0				
RoHS	yes				

## MECHANICAL DRAWING

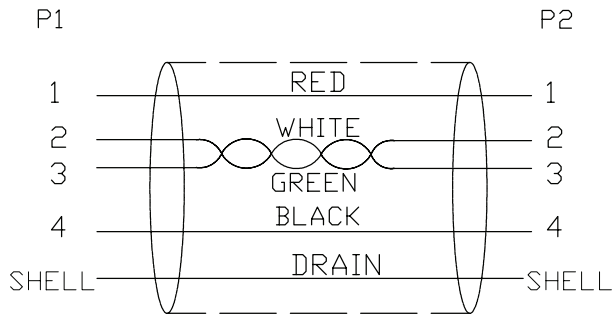
units: mm  
 tolerance:  
 X.X ±0.2 mm  
 X.XX ±0.15 mm  
 unless otherwise noted

critical dimension: ▼

ITEM	DESCRIPTION	MATERIAL	PLATING/COLOR
1	cable	UL2725 28 AWG OD: 3.5 mm, PVC	black
2	connector 1	USB 2.0 Type A	shell: nickel term.: gold flash
3	connector 2	Type A Receptacle	shell: nickel term.: gold flash
4	inner mold	LD-PE	black
5	over mold	PVC	black



### WIRE DIAGRAM

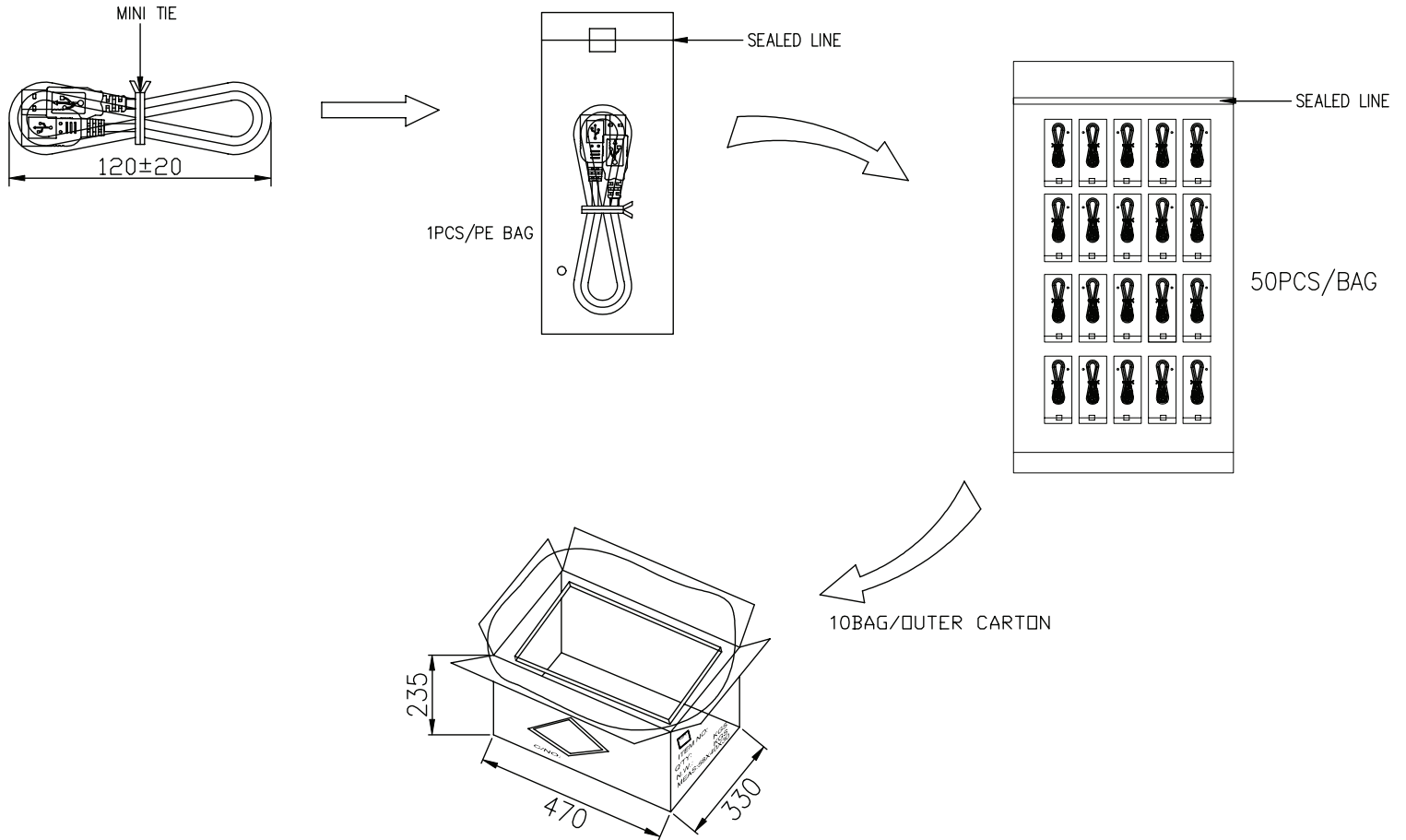


## PACKAGING

units: mm

Carton Size: 470 x 330 x 235 mm

Carton QTY: 500 pcs



## REVISION HISTORY

---

rev.	description	date
1.0	initial release	12/20/2018
1.01	brand update	02/18/2020
1.02	modified overmold design, updated packaging	07/09/2021

The revision history provided is for informational purposes only and is believed to be accurate.

---

# CUI DEVICES

CUI Devices offers a one (1) year limited warranty. Complete warranty information is listed on our website.

CUI Devices reserves the right to make changes to the product at any time without notice. Information provided by CUI Devices is believed to be accurate and reliable. However, no responsibility is assumed by CUI Devices for its use, nor for any infringements of patents or other rights of third parties which may result from its use.

CUI Devices products are not authorized or warranted for use as critical components in equipment that requires an extremely high level of reliability. A critical component is any component of a life support device or system whose failure to perform can be reasonably expected to cause the failure of the life support device or system, or to affect its safety or effectiveness.