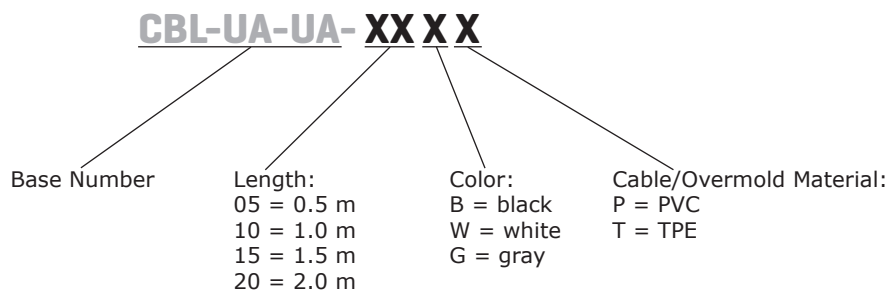


**SERIES:** CBL-UA-UA | **DESCRIPTION:** USB CABLE**FEATURES**

- type A male to type A male
- USB 2.0
- available in 0.5, 1, 1.5, 2.0 m lengths
- PVC or TPE jacket material
- black, white, and gray color options

**SPECIFICATIONS**

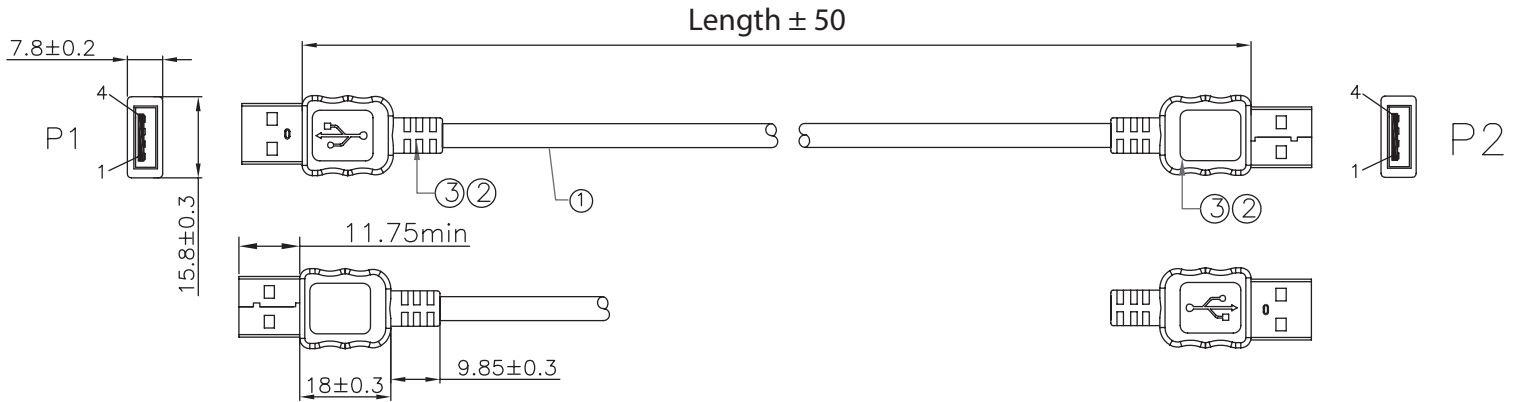
parameter	conditions/description	min	typ	max	units
rated voltage			30		Vdc
rated current				1.5	A
conductor resistance				3	$\Omega$
insulation resistance	at 300 Vdc	20			M $\Omega$
operating temperature		-20		80	$^{\circ}$ C
flammability rating	see material table				
RoHS	yes				

**PART NUMBER KEY**

## MECHANICAL DRAWING

units: mm  
 tolerance:  
 $X \leq 30$ :  $\pm 1.5$  mm  
 $31 < X \leq 100$ :  $\pm 2.0$  mm  
 unless otherwise noted

ITEM	DESCRIPTION
1	cable (PVC version) UL2725 (#28*1P+#24*2C+ AEB(65%) Jacket PVC; Black OD=4.7±0.2 mm; 30 V (UL94VW-1)
1	cable (TPE version) UL21371 (#28*1P+#24*2C+ AEB(65%) Jacket TPE; Black OD=4.7±0.2 mm; 30 V (UL94V-0)
2	connector 1 USB 2.0 A/M; Color: White; Contact: gold flash; Shell: Ni plated
3	connector 2 USB 2.0 A/M; Color: White; Contact: gold flash; Shell: Ni plated
4	overmold PVC 45P or TPE (UL94V-0)



WIRE LIST

P1	1	2	3	4	
	—	—	—	—	RED
	—	—	—	—	WHITE
	—	—	—	—	GREEN
	—	—	—	—	BLACK
SHELL	—	SHELL	—	—	DRAIN+BRAID

## PACKAGING

units: mm

Carton Size: 546 x 355 x 186 mm

Carton QTY:

0.5 m length models: 200 pcs/carton

1.0 m length models: 150 pcs/carton

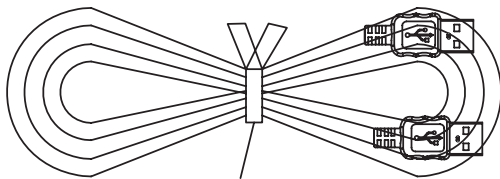
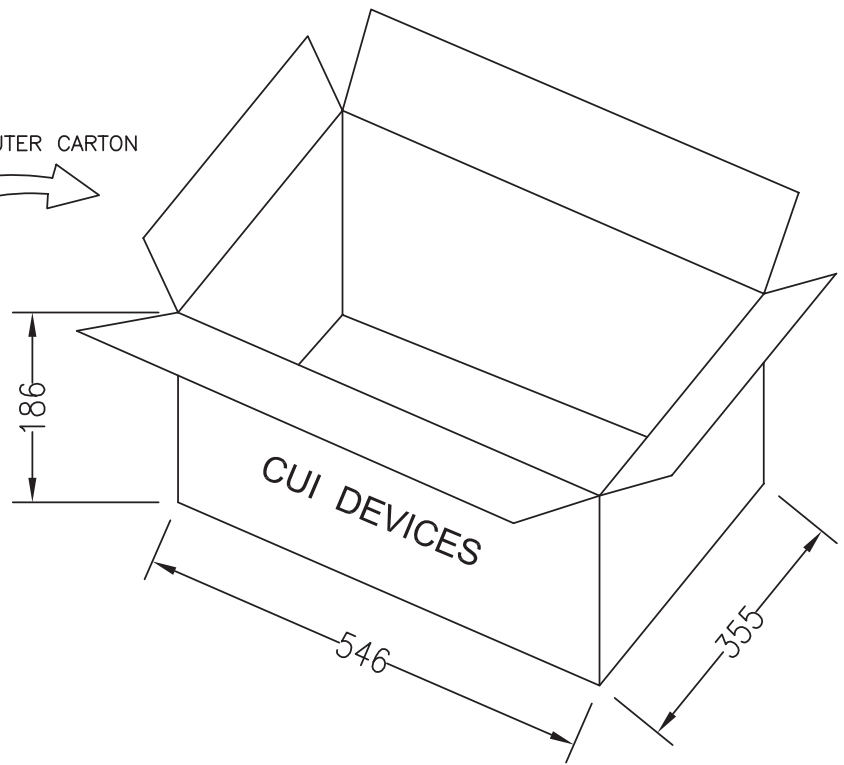
1.5 m length models: 150 pcs/carton

2.0 m length models: 100 pcs/carton



1PCS/PE BAG

100PCS/OUTER CARTON



MINI TIE

## REVISION HISTORY

---

rev.	description	date
1.0	initial release	11/30/2020

The revision history provided is for informational purposes only and is believed to be accurate.

---

# CUI DEVICES

CUI Devices offers a one (1) year limited warranty. Complete warranty information is listed on our website.

CUI Devices reserves the right to make changes to the product at any time without notice. Information provided by CUI Devices is believed to be accurate and reliable. However, no responsibility is assumed by CUI Devices for its use, nor for any infringements of patents or other rights of third parties which may result from its use.

CUI Devices products are not authorized or warranted for use as critical components in equipment that requires an extremely high level of reliability. A critical component is any component of a life support device or system whose failure to perform can be reasonably expected to cause the failure of the life support device or system, or to affect its safety or effectiveness.