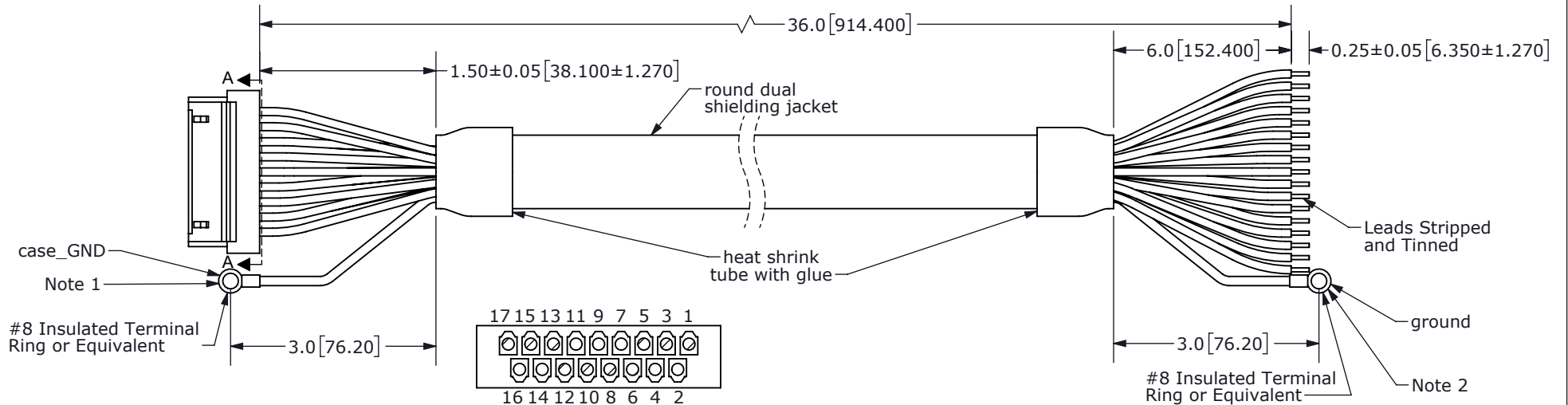
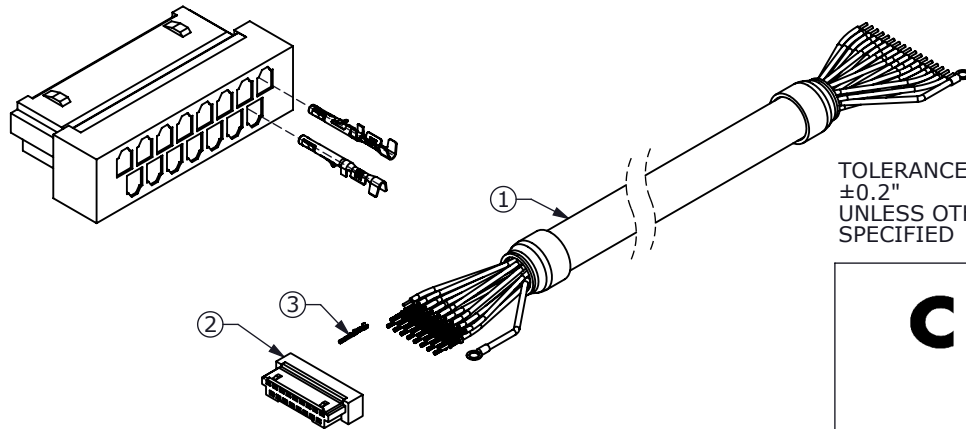


| REV. | DESCRIPTION                           | DATE      |
|------|---------------------------------------|-----------|
| A    | NEW DRAWING                           | 6/10/2013 |
| B    | cable length changed, part# changed   | 7/29/2013 |
| C    | added ground wire to unterminated end | 3/4/2014  |
| D    | brand update                          | 4/13/2020 |



SECTION A-A  
SCALE 3 : 1  
(Back of Connector Housing)

| Connector Pinout |          |         |        |
|------------------|----------|---------|--------|
| #                | Function | Color   |        |
|                  |          | Primary | Stripe |
| 1                | TX_ENC+  | Green   | Red    |
| 2                | RX_ENC+  | Blue    | Red    |
| 3                | U+       | Brown   | Black  |
| 4                | GND      | Black   | Red    |
| 5                | W+       | Orange  | Black  |
| 6                | +5V      | Red     | Black  |
| 7                | V+       | Red     | White  |
| 8                | B+       | Green   | Black  |
| 9                | B-       | Black   | Green  |
| 10               | A+       | White   | Black  |
| 11               | A-       | Black   | White  |
| 12               | Z+       | Blue    | Black  |
| 13               | Z-       | Black   | Blue   |
| 14               | MCLR B   | Yellow  | Black  |
| 15               | W-       | Black   | Orange |
| 16               | V-       | White   | Red    |
| 17               | U-       | Black   | Brown  |



TOLERANCE:  
±0.2"  
UNLESS OTHERWISE  
SPECIFIED



# CUI DEVICES

6405 SW Rosewood St, Suite C  
Lake Oswego, OR 97035  
Phone: 877-323-3576

Website: [www.cuidevices.com](http://www.cuidevices.com)

NOTES 1: case\_GND is connected internally to GND (black/red)  
2: ground connected internally to cable shielding

|   | Part       | QTY | Part#              |
|---|------------|-----|--------------------|
| 1 | Cable      | 1   | 3M 3600B/20        |
| 2 | Connector  | 1   | JAE FI-W17S        |
| 3 | Crimp Pins | 17  | JAE FI-C3-A1-15000 |

|           |               |              |            |
|-----------|---------------|--------------|------------|
| ITEM NO:  | 977-7012R     | REV:         | D          |
| PART NO:  | AMT-17C-1-036 | UNITS:       | INCHES[MM] |
| DRAWN BY: | RDS           | APPROVED BY: |            |
|           |               | SCALE:       | 2:1        |

PC FILE NAME:  
AMT-17C-1-036

COPYRIGHT 2020 BY CUI DEVICES