

SERIES: ACZ12 | **DESCRIPTION:** MECHANICAL INCREMENTAL ENCODER

ELECTRICAL SPECIFICATIONS

parameter	conditions/description	min	typ	max	units
output waveform	square wave				
output signals	A, B phase				
current consumption	10 mA				
output phase difference	T1, T2, T3, T4 ≥ 3.5 ms @ 60 rpm (see output waveform)				
supply voltage	12 V dc max.				
output resolution	12, 24 ppr				
switch rating	12 V dc, 50 mA (ACZ12BRXE models only)				
insulation resistance	300 V dc, 100 MΩ				
withstand voltage	300 V ac				

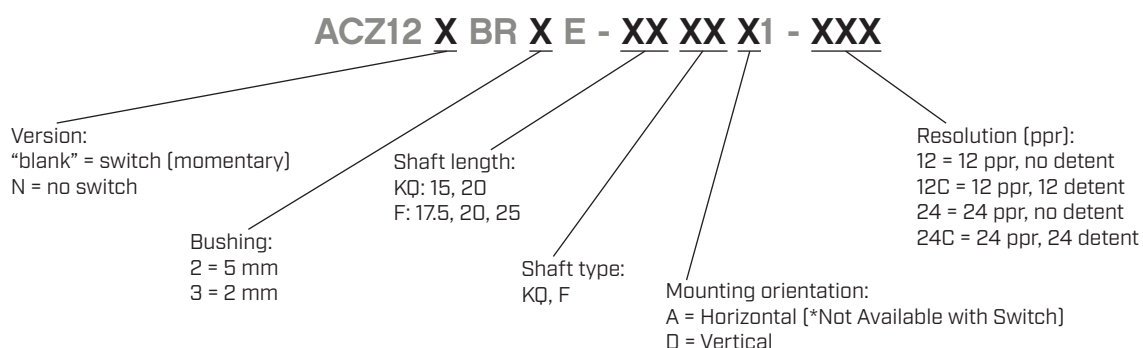
MECHANICAL SPECIFICATIONS

parameter	conditions/description	min	typ	max	units
shaft load	axial			3	kgf
rotational torque	with detent click	30		200	gf•cm
	without detent click	60	80	100	gf•cm
push switch operational force	[ACZ12BRXE models only]	300		900	gf•cm
push switch life	[ACZ12BRXE models only]			50,000	
rotational life				30,000	cycles

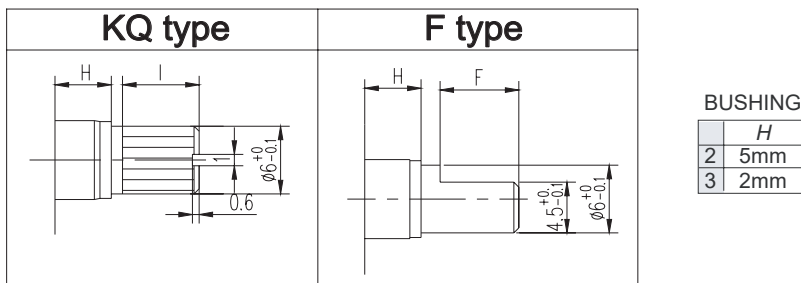
ENVIRONMENTAL SPECIFICATIONS

parameter	conditions/description	min	typ	max	units
operating temperature		-10		75	°C
storage temperature		-20		85	°C
humidity		85			% RH
vibration	0.75 mm max. travel for 2 hours	10		55	Hz

PART NUMBER KEY



SHAFT OPTIONS



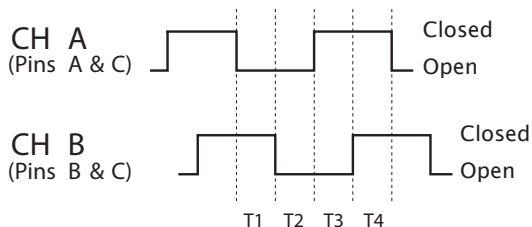
H= 2 or 5 (mm)

	20KQ	15KQ
L	20	15
I	7	5

H= 2 or 5 (mm)

	25F	20F	17F
L	25	20	17.5
F	12	7	5

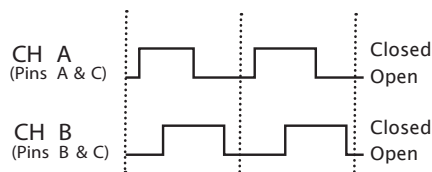
OUTPUT WAVEFORM



CW direction (@ 60 rpm)

DETENT POSITIONS

Model 12C & 24C

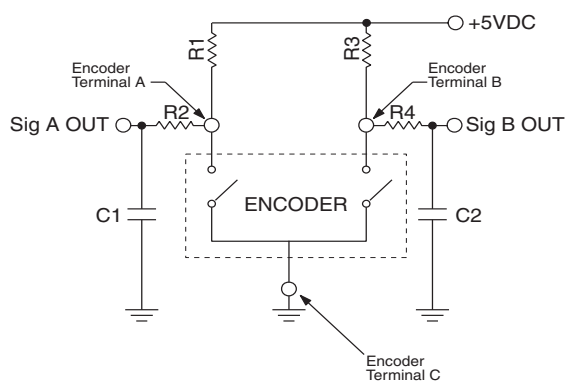
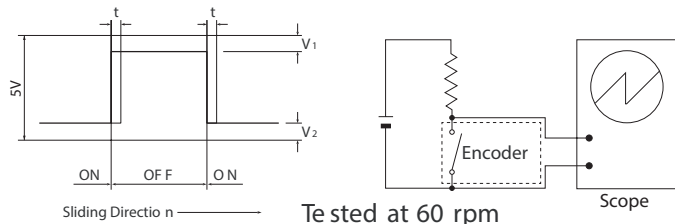


CW direction →

SLIDING NOISE

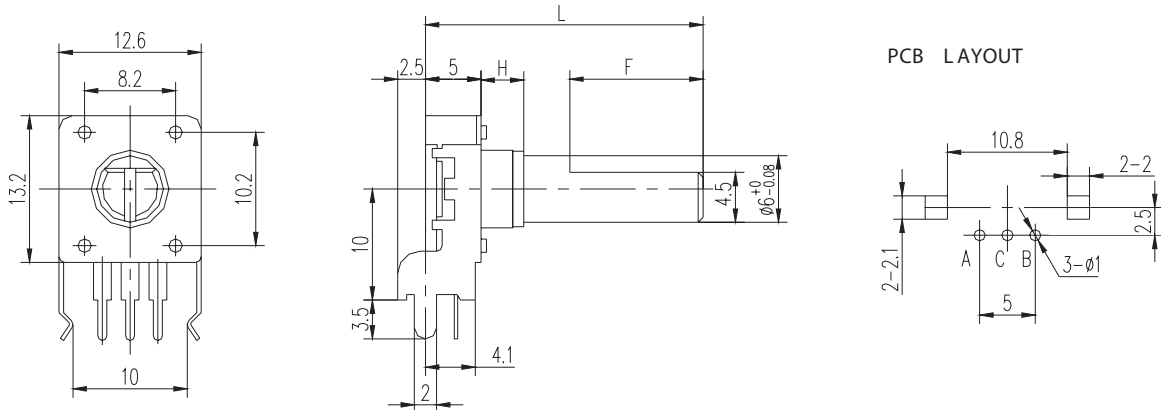
SUGGESTED FILTER

t = Masking time to avoid chatter (5mS) $V_1 = V_2 = 1V$ max.



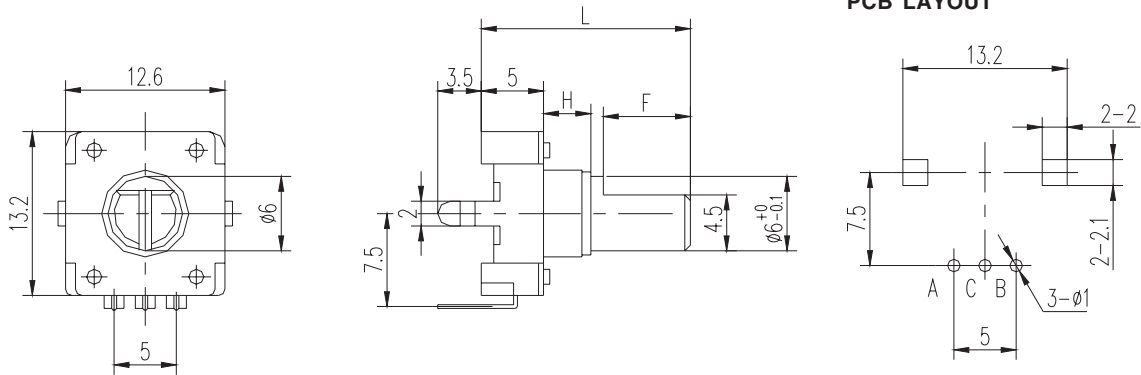
R1, R2, R3, R4 = 10kΩ
C1, C2 = 0.01μF

MECHANICAL DRAWING (HORIZONTAL)

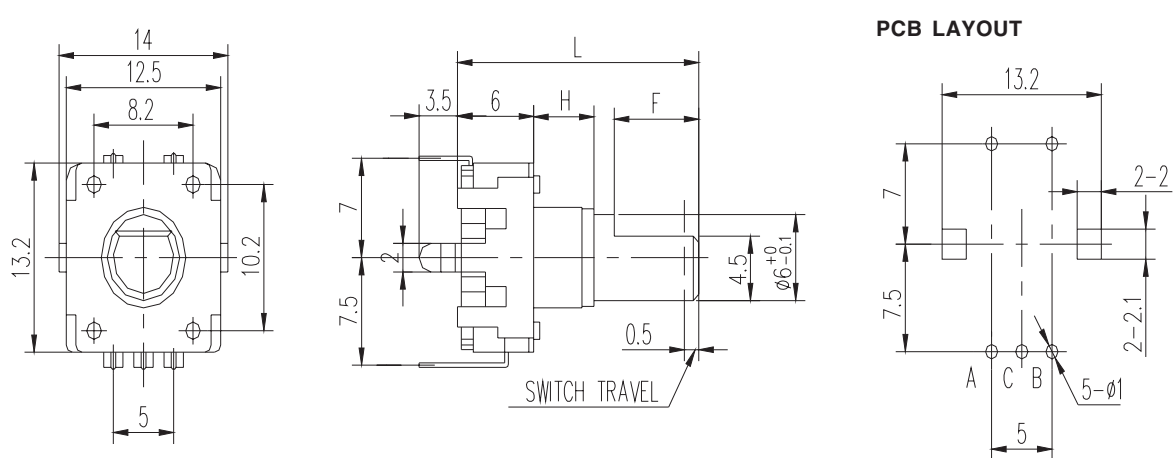


MECHANICAL DRAWING (VERTICAL)

ACZ12NBRXE



ACZ12BRXE



REVISION HISTORY

rev.	description	date
1.0	initial release	10/30/2009
1.01	brand update	10/04/2019
1.02	updated datasheet	06/15/2020
1.03	logo, datasheet style update	09/08/2022

The revision history provided is for informational purposes only and is believed to be accurate.



CUI Devices offers a one (1) year limited warranty. Complete warranty information is listed on our website.

CUI Devices reserves the right to make changes to the product at any time without notice. Information provided by CUI Devices is believed to be accurate and reliable. However, no responsibility is assumed by CUI Devices for its use, nor for any infringements of patents or other rights of third parties which may result from its use.

CUI Devices products are not authorized or warranted for use as critical components in equipment that requires an extremely high level of reliability. A critical component is any component of a life support device or system whose failure to perform can be reasonably expected to cause the failure of the life support device or system, or to affect its safety or effectiveness.

cuidevices.com