

Product Change Notice (PCN)

Date: 08/03/12

PCN Number: PCN-080312_01

To Our Customers:

We appreciate your use of our products. Our commitment in maintaining and improving processes is demonstrated by plans to enhance our product quality, reliability, and manufacturability. The purpose of this notice is to inform you of a product change.

Product(s) Affected: *PJ-019*

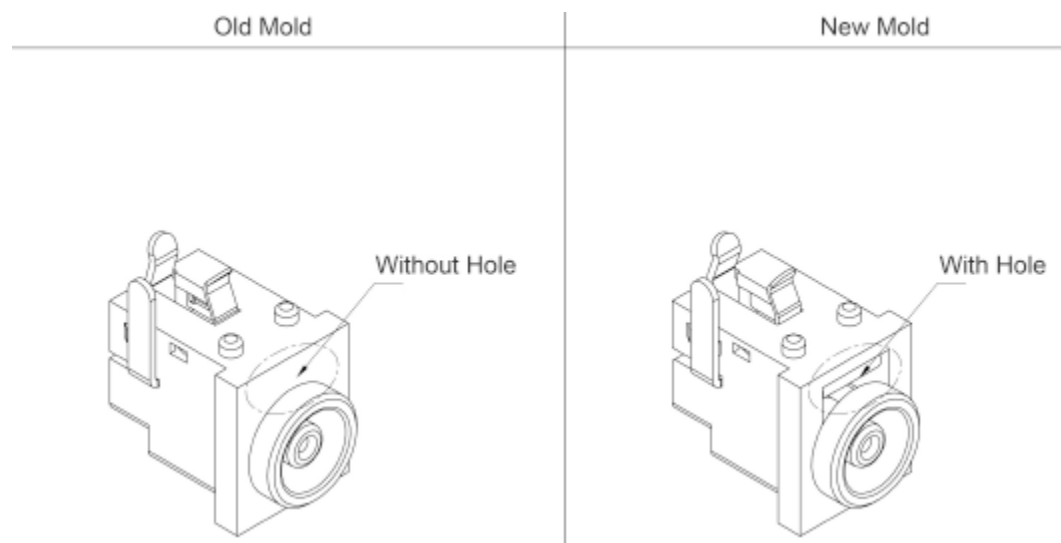
Reason(s) for Change: *The mold for the plastic injection reach was discontinued.*

Description of Change: *There is now a small hole in the front of the jack.*

Affected Date Code: *08/03/12*

Product Availability: *After 08/03/12*

Additional Information:





PCN Approval:

Operations/Quality

Allison Grose

Product Management

Andrew Johnson

A handwritten signature in black ink, appearing to read "AJ", is written over a horizontal line.