

Product Change Notice (PCN)

Date: 2/18/2021

PCN Number: PCN-0539026R-01

To Our Customers:

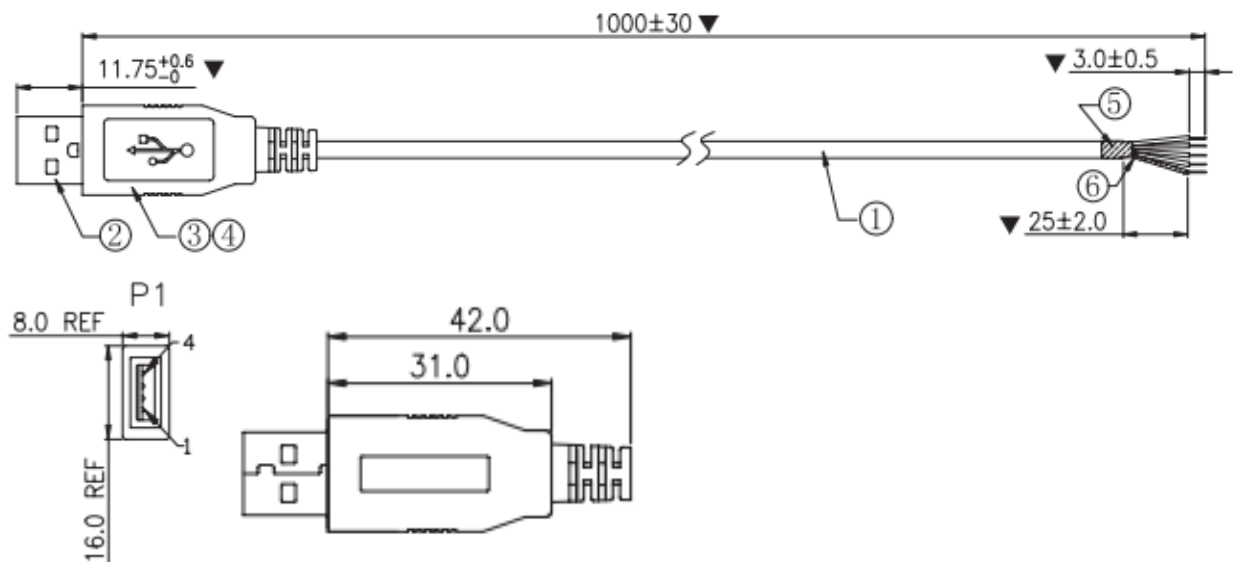
We appreciate your use of CUI Devices products. Our commitment in maintaining and improving processes is demonstrated by plans to enhance our product quality, reliability, and manufacturability. The purpose of this notice is to inform you of a product change.

Product(s) Affected: CBL-UA-ST-1

Reason(s) for Change: Old overmold mold cannot maintain efficient production. Adjustments necessary for efficiency purposes of automated production.

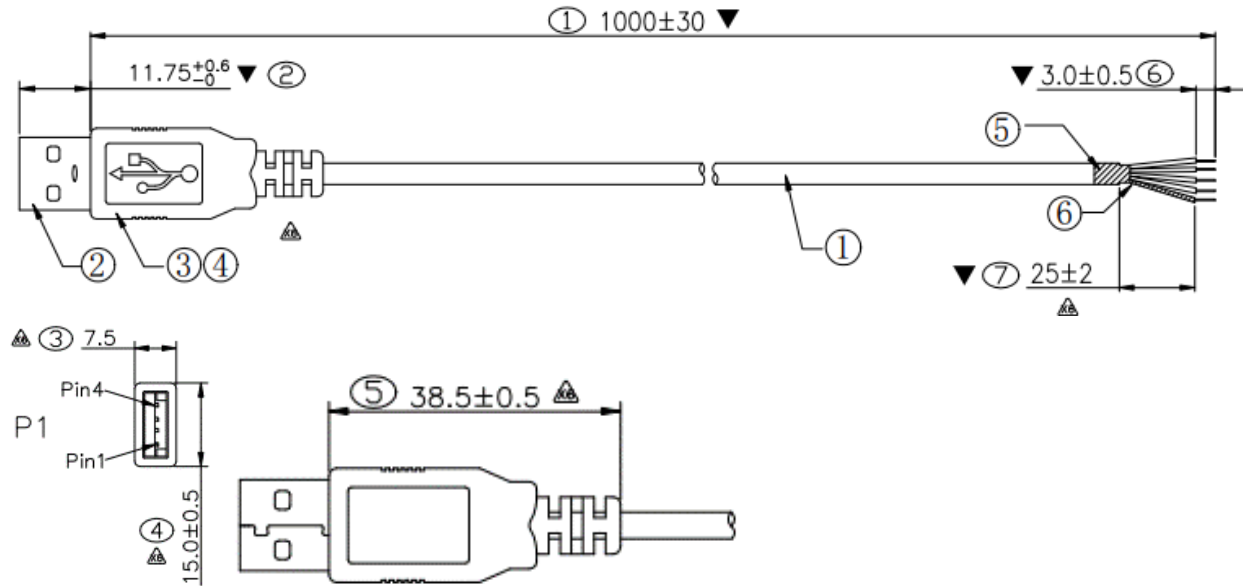
Description of Change: Adjustments shown in below images. Cable diameter change from 3.0mm to 3.5mm.

Old Design



CUI DEVICES

New Design



Affected Date Code: 2/15/2021

Product Availability: currently available

Additional Information: none

PCN Approval:

Operations/Quality

Ralph D'Amico

Product Marketing

RU