

# Product Change Notice (PCN)

Date: **5/23/2023**

PCN Number: **PCN-0456189R-01**

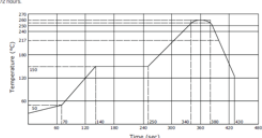
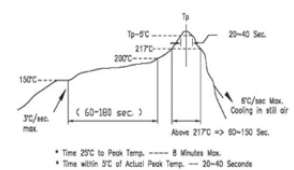
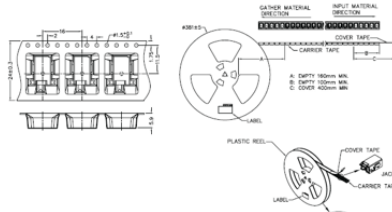
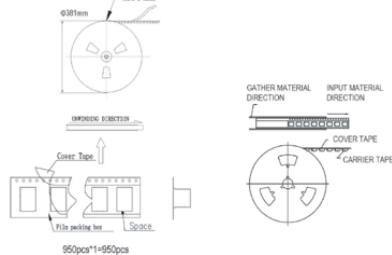
To Our Customers:

We appreciate your use of our products. Our commitment in maintaining and improving processes is demonstrated by plans to enhance our product quality, reliability, and manufacturability. The purpose of this notice is to inform you of a product change.

Product(s) Affected: PJ-091H-MSMT-TR

Reason(s) for Change: *Manufacturing process improvements*

Description of Change: solderability, and packaging differences as shown below:

PREVIOUS CUI DEVICES DETAIL / IMAGE	NEW CUI DEVICES DETAIL / IMAGE																																				
<p><b>SOLDERABILITY</b></p> <table border="1"> <thead> <tr> <th>parameter</th> <th>conditions/description</th> <th>min</th> <th>typ</th> <th>max</th> <th>units</th> </tr> </thead> <tbody> <tr> <td>reel storage</td> <td>at relative humidity &lt;80%</td> <td></td> <td></td> <td>40</td> <td>°C</td> </tr> <tr> <td>reflow soldering<sup>1</sup></td> <td>see reflow profile</td> <td>255</td> <td>260</td> <td>265</td> <td>°C</td> </tr> </tbody> </table> <p>drying conditions<sup>2</sup> parts in reel bake at 40°C ±5°C for 72 hours parts removed from reel bake at 40°C ±5°C for 10 hours</p> <p>Note: 1. Must reflow solder within 72 hours from opening vacuum packaging at a temperature &lt;20°C &amp; relative humidity &lt;80%. 2. When exceeding floor life by &gt;240 hours.</p> 	parameter	conditions/description	min	typ	max	units	reel storage	at relative humidity <80%			40	°C	reflow soldering <sup>1</sup>	see reflow profile	255	260	265	°C	<p><b>SOLDERABILITY</b></p> <table border="1"> <thead> <tr> <th>parameter</th> <th>conditions/description</th> <th>min</th> <th>typ</th> <th>max</th> <th>units</th> </tr> </thead> <tbody> <tr> <td>reel storage</td> <td>10-30°C, &lt;70% humidity</td> <td></td> <td></td> <td></td> <td>°C</td> </tr> <tr> <td>reflow soldering<sup>1</sup></td> <td>see reflow profile</td> <td>255</td> <td>260</td> <td></td> <td>°C</td> </tr> </tbody> </table> <p>drying conditions<sup>2</sup> parts in reel bake at 110°C for 4 hours parts removed from reel bake at 110°C for 4 hours</p> <p>Note: 1. CUI Devices recommends to solder within 72 hours from opening vacuum packaging at a temperature &lt;30°C &amp; relative humidity &lt;80%. 2. When exceeding floor life by &gt;240 hours.</p> 	parameter	conditions/description	min	typ	max	units	reel storage	10-30°C, <70% humidity				°C	reflow soldering <sup>1</sup>	see reflow profile	255	260		°C
parameter	conditions/description	min	typ	max	units																																
reel storage	at relative humidity <80%			40	°C																																
reflow soldering <sup>1</sup>	see reflow profile	255	260	265	°C																																
parameter	conditions/description	min	typ	max	units																																
reel storage	10-30°C, <70% humidity				°C																																
reflow soldering <sup>1</sup>	see reflow profile	255	260		°C																																
<p>units: mm Reel Size: Ø260 mm Reel QTY: 950 pcs per reel</p> 	<p>units: mm Reel Size: Ø260 mm Reel QTY: 950 pcs per reel</p> 																																				

Affected Date Code: **5/18/23**

Product Availability: *Channel Availability Q3*

Additional Information:

PCN Approval:

F-723-001

Revision: A



Operations/Quality

*Rae Adams*

---

Product Management

*RH*

---