



## Product Change Notice (PCN)

**Date:** 01/30/2023

**PCN Number:** PCN-0454806R-01

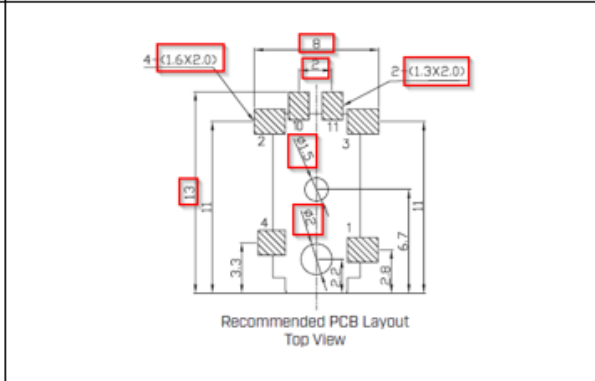
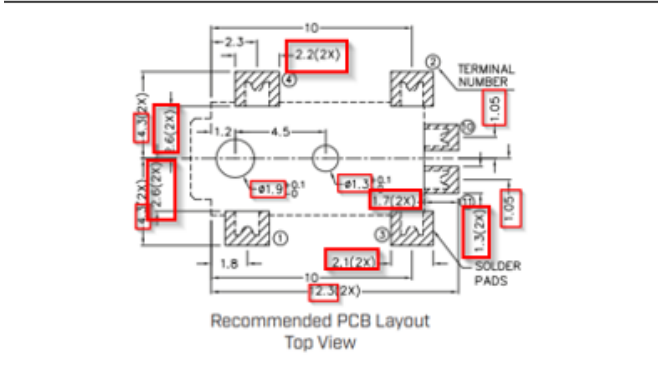
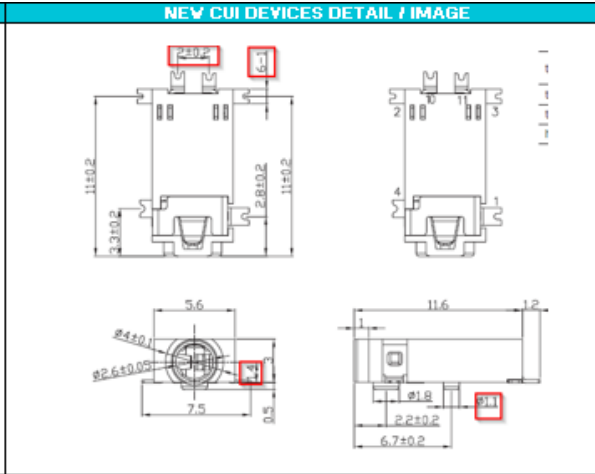
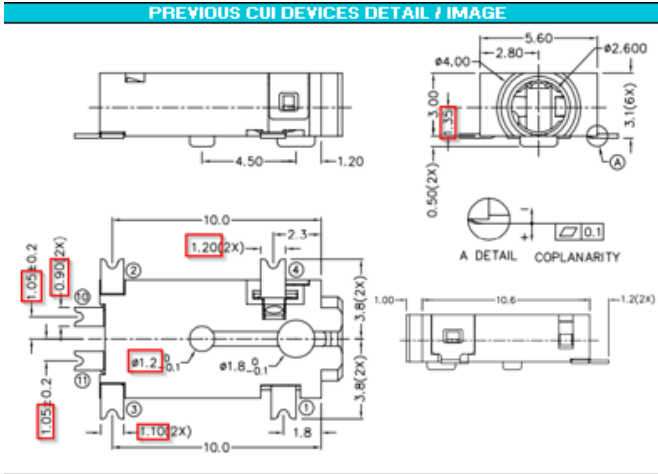
To Our Customers:

We appreciate your use of our products. Our commitment in maintaining and improving processes is demonstrated by plans to enhance our product quality, reliability, and manufacturability. The purpose of this notice is to inform you of a product change.

Product(s) Affected: *SJ2-25404D-SMT-TR & SJ2-25404B-SMT-TR*

Reason(s) for Change: *Manufacturing process improvements*

Description of Change: *Minor Housing and footprint differences. Material Change on the housing and terminals. See image Below*



	MATERIAL	PLATING
terminal 1	copper alloy	gold flash
terminal 2	copper alloy	gold flash
terminal 3	copper alloy	gold flash
terminal 4	copper alloy	gold flash
terminal 10	copper alloy	gold flash
terminal 11	copper alloy	gold flash
plastic	PA10T	

DESCRIPTION	MATERIAL	PLATING/COLOR
terminal 1	phosphor bronze t=0.25	gold
terminal 2	phosphor bronze t=0.20	gold
terminal 3	phosphor bronze t=0.20	gold
terminal 4	phosphor bronze t=0.20	gold
terminal 10	brass t=0.25	gold
terminal 11	brass t=0.25	gold
housing	PA9T (UL94V-0)	black

**PREVIOUS CUI DEVICES DETAIL / IMAGE**

SPECIFICATIONS				
parameter	conditions/description	min	typ	max units
rated input voltage			12	Vdc
rated input current			1	A
contact resistance <sup>1</sup>	between terminal and mating plug between terminal in a closed circuit			50 mΩ
insulation resistance	at 500 Vdc	100		MΩ
voltage withstand	for 1 minute			500 Vac
insertion/withdrawal force		0.3		3 kg
operating temperature		-25		85 °C
life	at a rate of 24 cycles/minute		5,000	cycles
flammability rating	UL94V-0			
RoHS	yes			

**NEW CUI DEVICES DETAIL / IMAGE**

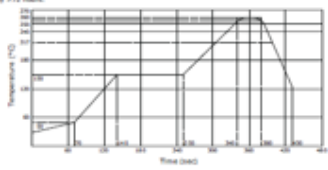
SPECIFICATIONS				
parameter	conditions/description	min	typ	max units
rated input voltage			12	Vdc
rated input current			1	A
contact resistance <sup>1</sup>				30 mΩ
insulation resistance	at 500 Vdc	100		MΩ
voltage withstand	for 1 minute			500 Vac
insertion/withdrawal force		0.3		3 kg
operating temperature		-40		85 °C
storage temperature		-30		50 °C
life			5,000	cycles
flammability rating	UL94V-0			
RoHS	yes			

**SOLDERABILITY**

parameter	conditions/description	min	typ	max units
reflow storage	at relative humidity <90%			40 °C
reflow soldering <sup>1</sup>	see reflow profile	255	260	265 °C
drying conditions <sup>2</sup>	parts in reel: bake at 40°C ±5°C for 72 hours parts removed from reel: bake at 40°C ±5°C for 10 hours			

Note:

- Must reflow solder within 72 hours from opening vacuum packaging at a temperature <130°C & relative humidity <60%.
- When exceeding their life by >72 hours.

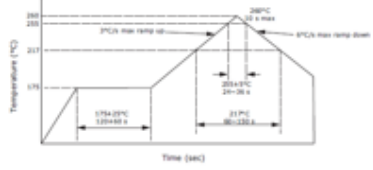
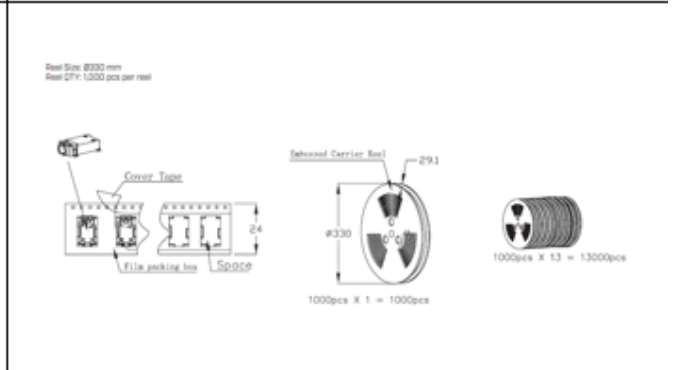
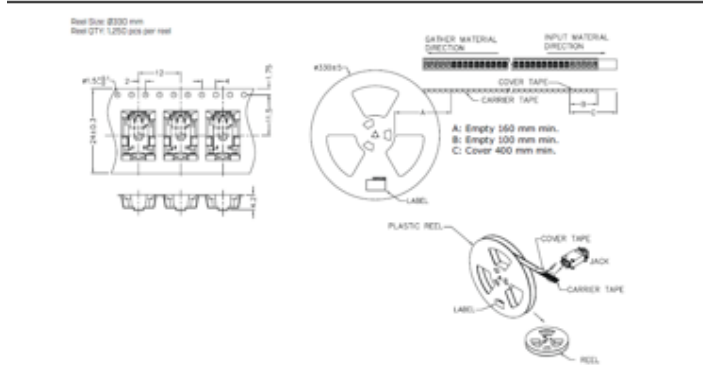


**SOLDERABILITY**

parameter	conditions/description	min	typ	max units
reflow storage	reflow opened & unused parts repacked within 2 hours, (30°C, (80% humidity reflow unopened, 1 year shelf life (30°C, (80% humidity			
reflow soldering	see reflow profile			260 °C
drying conditions	parts removed from reel over 2 hours: bake at 40°C for 8 hours			

Note:

- CUI Devices recommends usage of this product within 2 hours after 168 is opened. After 8 hours, CUI Devices recommends drying the part before its use.



Affected Date Code: *01/24/2023*

Product Availability: *Pertaining to market availability*

PCN Approval:

Operations/Quality

A handwritten signature in black ink, appearing to read "Robert Aguirre", written over a horizontal line.

Product Management

A handwritten signature in black ink, written over a horizontal line. The signature is partially obscured by a light grey rectangular box.