

Product Change Notice (PCN)

Date: **10/20/2023**

PCN Number: **PCN-0451604R-01**

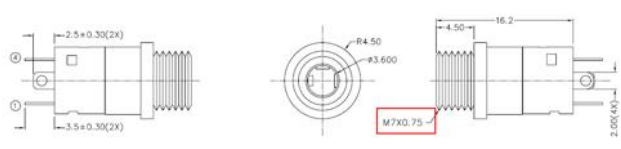
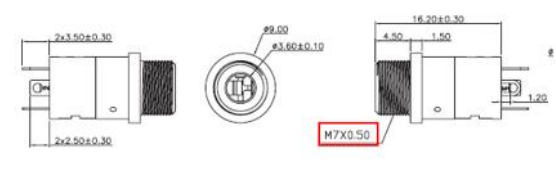
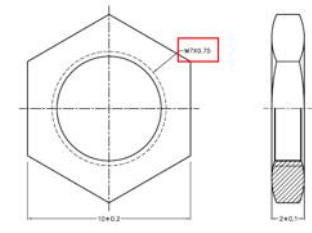
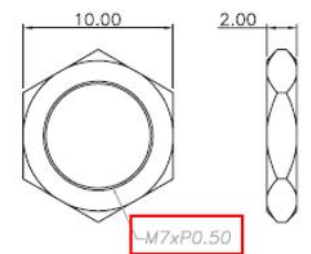
To Our Customers:

We appreciate your use of our products. Our commitment in maintaining and improving processes is demonstrated by plans to enhance our product quality, reliability, and manufacturability. The purpose of this notice is to inform you of a product change.

Product(s) Affected: **SJ1-43502PM**

Reason(s) for Change: *Manufacturing Improvement processes*

Description of Change: *Minor internal difference and material update. See image Below*

PREVIOUS CUI DEVICES DETAIL / IMAGE			NEW CUI DEVICES DETAIL / IMAGE																																																		
																																																					
																																																					
<table border="1"> <thead> <tr> <th></th> <th>MATERIAL</th> <th>PLATING</th> </tr> </thead> <tbody> <tr> <td>terminal 1</td> <td>copper alloy</td> <td>tin</td> </tr> <tr> <td>terminal 2</td> <td>copper alloy</td> <td>tin</td> </tr> <tr> <td>terminal 3</td> <td>copper alloy</td> <td>tin</td> </tr> <tr> <td>terminal 4</td> <td>copper alloy</td> <td>tin</td> </tr> <tr> <td>bushing</td> <td>brass</td> <td>nickel</td> </tr> <tr> <td>nut</td> <td>brass</td> <td>nickel</td> </tr> <tr> <td>plastic</td> <td>PA66</td> <td></td> </tr> </tbody> </table>				MATERIAL	PLATING	terminal 1	copper alloy	tin	terminal 2	copper alloy	tin	terminal 3	copper alloy	tin	terminal 4	copper alloy	tin	bushing	brass	nickel	nut	brass	nickel	plastic	PA66		<table border="1"> <thead> <tr> <th>DESCRIPTION</th> <th>MATERIAL</th> <th>PLATING/COLOR</th> </tr> </thead> <tbody> <tr> <td>terminal 1</td> <td>bronze ±0.25 mm</td> <td>tin</td> </tr> <tr> <td>terminal 2</td> <td>bronze ±0.30 mm</td> <td>tin</td> </tr> <tr> <td>terminal 3</td> <td>bronze ±0.25 mm</td> <td>tin</td> </tr> <tr> <td>terminal 4</td> <td>bronze ±0.25 mm</td> <td>tin</td> </tr> <tr> <td>bushing</td> <td>brass</td> <td>nickel</td> </tr> <tr> <td>nut</td> <td>brass</td> <td>nickel</td> </tr> <tr> <td>housing</td> <td>PA48 [UL94V-0]</td> <td>black</td> </tr> </tbody> </table>			DESCRIPTION	MATERIAL	PLATING/COLOR	terminal 1	bronze ±0.25 mm	tin	terminal 2	bronze ±0.30 mm	tin	terminal 3	bronze ±0.25 mm	tin	terminal 4	bronze ±0.25 mm	tin	bushing	brass	nickel	nut	brass	nickel	housing	PA48 [UL94V-0]	black
	MATERIAL	PLATING																																																			
terminal 1	copper alloy	tin																																																			
terminal 2	copper alloy	tin																																																			
terminal 3	copper alloy	tin																																																			
terminal 4	copper alloy	tin																																																			
bushing	brass	nickel																																																			
nut	brass	nickel																																																			
plastic	PA66																																																				
DESCRIPTION	MATERIAL	PLATING/COLOR																																																			
terminal 1	bronze ±0.25 mm	tin																																																			
terminal 2	bronze ±0.30 mm	tin																																																			
terminal 3	bronze ±0.25 mm	tin																																																			
terminal 4	bronze ±0.25 mm	tin																																																			
bushing	brass	nickel																																																			
nut	brass	nickel																																																			
housing	PA48 [UL94V-0]	black																																																			

F-723-001

Revision: A



Affected Date Code: **07/27/2023**

Product Availability: *Pertaining to market availability*

PCN Approval:

Operations/Quality

A handwritten signature in black ink, appearing to read "Robert D. Davis", is written over a horizontal line.

Product Management

A handwritten signature in black ink is written over a horizontal line. The signature is partially obscured by a light gray rectangular box.