

Product Change Notice (PCN)

Date: 03/24/2023

PCN Number: PCN-0451211-01

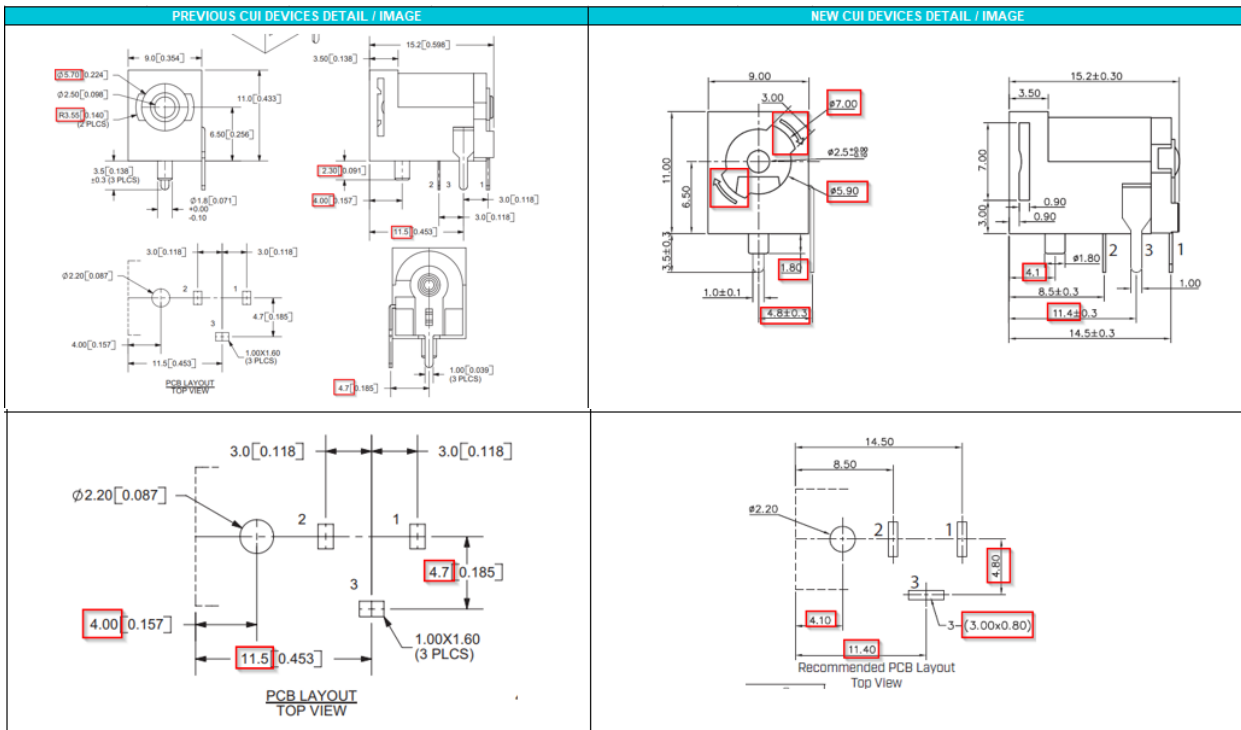
To Our Customers:

We appreciate your use of our products. Our commitment in maintaining and improving processes is demonstrated by plans to enhance our product quality, reliability, and manufacturability. The purpose of this notice is to inform you of a product change.

Product(s) Affected: *PJ-059B*

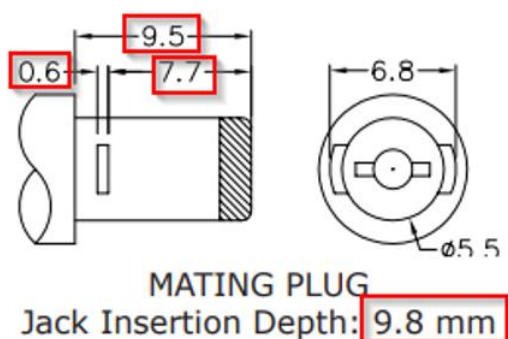
Reason(s) for Change: *Manufacturing process improvements*

Description of Change: *Minor Housing and footprint differences. Material Change on the housing and terminals. See image Below*

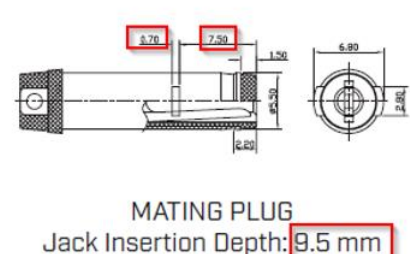


| | MATERIAL | PLATING |
|------------|--------------|---------|
| center pin | copper | nickel |
| terminal 1 | brass | tin |
| terminal 2 | copper alloy | tin |
| terminal 3 | brass | tin |
| plastic | PBT | |

| DESCRIPTION | MATERIAL | PLATING/COLOR |
|-------------|---------------|---------------|
| center pin | brass | nickel |
| terminal 1 | brass t=0.30 | tin |
| terminal 2 | bronze t=0.25 | tin |
| terminal 3 | brass t=0.30 | tin |
| cover | PBT (UL94V-0) | black |
| housing | PBT (UL94V-0) | black |



MATING PLUG
Jack Insertion Depth: **9.8 mm**



MATING PLUG
Jack Insertion Depth: **9.5 mm**

Affected Date Code: **02/28/2023**

Product Availability: *Pertaining to market availability*

Additional Information:

PCN Approval:

Operations/Quality



Product Management



F-723-001

Revision: A