



Product Change Notice (PCN)

Date: **12/20/2022**

PCN Number: **PCN-0451198R-01**

To Our Customers:

We appreciate your use of our products. Our commitment in maintaining and improving processes is demonstrated by plans to enhance our product quality, reliability, and manufacturability. The purpose of this notice is to inform you of a product change.

Product(s) Affected: *PJ-054*

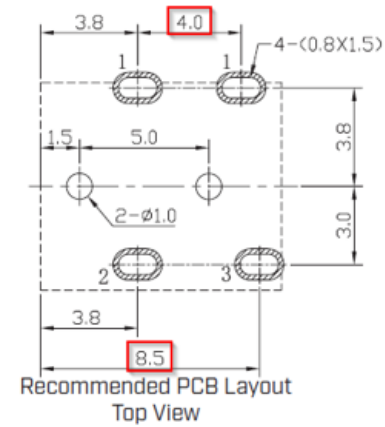
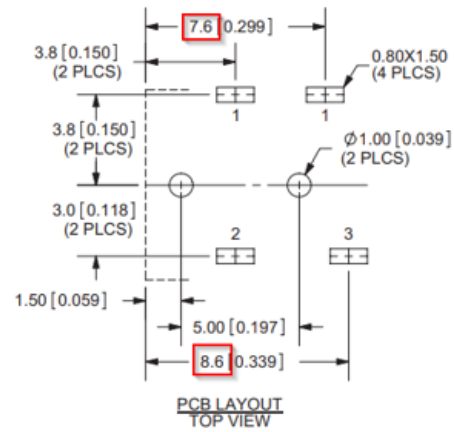
Reason(s) for Change: *Manufacturing process improvements.*

Description of Change: *Mechanical, material, and PCB layout changes as noted below.*

PREVIOUS CUI DEVICES DETAIL / IMAGE	NEW CUI DEVICES DETAIL / IMAGE

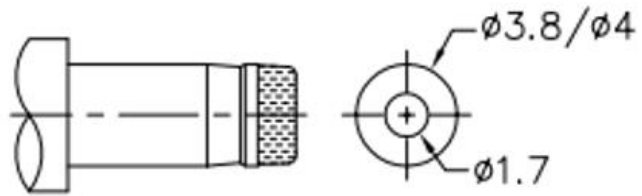
F-723-001

Revision: A

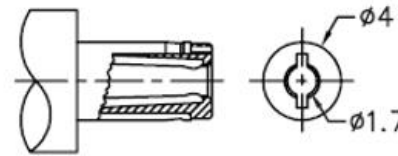


	MATERIAL	PLATING
center pin	brass	nickel
terminal 1	brass	tin
terminal 2	copper alloy	tin
terminal 3	brass	tin
plastic	PA66	

DESCRIPTION	MATERIAL	PLATING/COLOR
center pin	H65 brass	nickel
terminal 1	brass	silver
terminal 2	bronze	silver
terminal 3	brass	silver
housing	PA9T [UL94V-0]	black



MATING PLUG
Jack Insertion Depth: **6.2 mm**



MATING PLUG
Jack Insertion Depth: **6.1 mm**

Affected Date Code: *12/20/22*

Product Availability: *Channel Availability mid Q4*

Additional Information:

PCN Approval:

Operations/Quality

Rae D. Quinn

Product Management

RH



F-723-001

Revision: A