

Product Change Notice (PCN)

Date: **12/20/2022**

PCN Number: **PCN-0451186R-01**

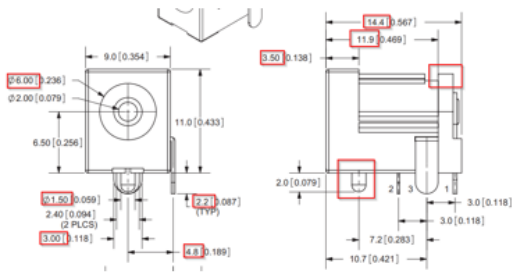
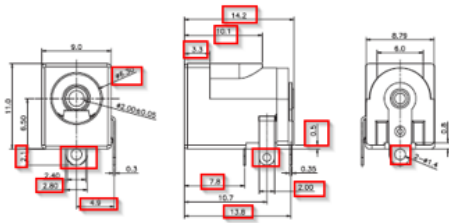
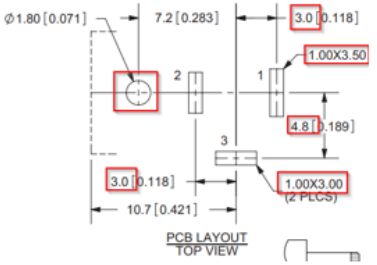
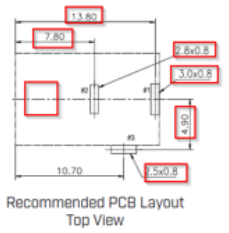
To Our Customers:

We appreciate your use of our products. Our commitment in maintaining and improving processes is demonstrated by plans to enhance our product quality, reliability, and manufacturability. The purpose of this notice is to inform you of a product change.

Product(s) Affected: **PJ-050AH**

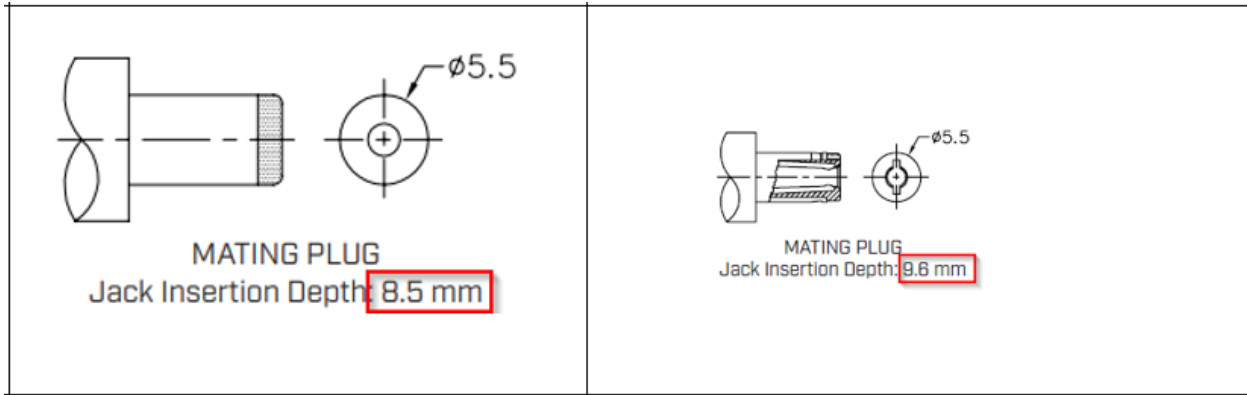
Reason(s) for Change: **Manufacturing process improvements**

Description of Change: **Mechanical, electrical, and material changes as shown below:**

| PREVIOUS CUI DEVICES DETAIL / IMAGE | NEW CUI DEVICES DETAIL / IMAGE | | | | | | | | | | | | | | | | | | | | | | | | | | | | | | | | | | | | | | | |
|--|---|---------------|---------|------------|--------|--------|------------|-------|--------|------------|--------------|--------|------------|-------|--------|---------|-----|--|--|-------------|----------|---------------|------------|-------------------|--------|------------|-----------------|------------|------------|-----------------|------------|------------|-----------------|------------|---------|----------------|-------|-------|----------------|-------|
|  |  | | | | | | | | | | | | | | | | | | | | | | | | | | | | | | | | | | | | | | | |
|  <p>PCB LAYOUT TOP VIEW</p> |  <p>Recommended PCB Layout Top View</p> | | | | | | | | | | | | | | | | | | | | | | | | | | | | | | | | | | | | | | | |
| <table border="1"> <thead> <tr> <th></th> <th>MATERIAL</th> <th>PLATING</th> </tr> </thead> <tbody> <tr> <td>center pin</td> <td>copper</td> <td>nickel</td> </tr> <tr> <td>terminal 1</td> <td>brass</td> <td>silver</td> </tr> <tr> <td>terminal 2</td> <td>copper alloy</td> <td>silver</td> </tr> <tr> <td>terminal 3</td> <td>brass</td> <td>silver</td> </tr> <tr> <td>plastic</td> <td>PBT</td> <td></td> </tr> </tbody> </table> | | MATERIAL | PLATING | center pin | copper | nickel | terminal 1 | brass | silver | terminal 2 | copper alloy | silver | terminal 3 | brass | silver | plastic | PBT | | <table border="1"> <thead> <tr> <th>DESCRIPTION</th> <th>MATERIAL</th> <th>PLATING/COLOR</th> </tr> </thead> <tbody> <tr> <td>center pin</td> <td>copper alloy(H65)</td> <td>nickel</td> </tr> <tr> <td>terminal 1</td> <td>C2680 t-0.35 mm</td> <td>nickel-tin</td> </tr> <tr> <td>terminal 2</td> <td>C5210 t-0.25 mm</td> <td>nickel-tin</td> </tr> <tr> <td>terminal 3</td> <td>C2680 t-0.30 mm</td> <td>nickel-tin</td> </tr> <tr> <td>housing</td> <td>PABT (UL94V-0)</td> <td>black</td> </tr> <tr> <td>cover</td> <td>PABT (UL94V-0)</td> <td>black</td> </tr> </tbody> </table> | DESCRIPTION | MATERIAL | PLATING/COLOR | center pin | copper alloy(H65) | nickel | terminal 1 | C2680 t-0.35 mm | nickel-tin | terminal 2 | C5210 t-0.25 mm | nickel-tin | terminal 3 | C2680 t-0.30 mm | nickel-tin | housing | PABT (UL94V-0) | black | cover | PABT (UL94V-0) | black |
| | MATERIAL | PLATING | | | | | | | | | | | | | | | | | | | | | | | | | | | | | | | | | | | | | | |
| center pin | copper | nickel | | | | | | | | | | | | | | | | | | | | | | | | | | | | | | | | | | | | | | |
| terminal 1 | brass | silver | | | | | | | | | | | | | | | | | | | | | | | | | | | | | | | | | | | | | | |
| terminal 2 | copper alloy | silver | | | | | | | | | | | | | | | | | | | | | | | | | | | | | | | | | | | | | | |
| terminal 3 | brass | silver | | | | | | | | | | | | | | | | | | | | | | | | | | | | | | | | | | | | | | |
| plastic | PBT | | | | | | | | | | | | | | | | | | | | | | | | | | | | | | | | | | | | | | | |
| DESCRIPTION | MATERIAL | PLATING/COLOR | | | | | | | | | | | | | | | | | | | | | | | | | | | | | | | | | | | | | | |
| center pin | copper alloy(H65) | nickel | | | | | | | | | | | | | | | | | | | | | | | | | | | | | | | | | | | | | | |
| terminal 1 | C2680 t-0.35 mm | nickel-tin | | | | | | | | | | | | | | | | | | | | | | | | | | | | | | | | | | | | | | |
| terminal 2 | C5210 t-0.25 mm | nickel-tin | | | | | | | | | | | | | | | | | | | | | | | | | | | | | | | | | | | | | | |
| terminal 3 | C2680 t-0.30 mm | nickel-tin | | | | | | | | | | | | | | | | | | | | | | | | | | | | | | | | | | | | | | |
| housing | PABT (UL94V-0) | black | | | | | | | | | | | | | | | | | | | | | | | | | | | | | | | | | | | | | | |
| cover | PABT (UL94V-0) | black | | | | | | | | | | | | | | | | | | | | | | | | | | | | | | | | | | | | | | |

F-723-001

Revision: A



Affected Date Code: *12/8/2022*

Product Availability: *Channel Availability mid Q4*

Additional Information:

PCN Approval:

Operations/Quality

Rae Adams

Product Management

RH