

Product Change Notice (PCN)

Date: **12/29/2022**

PCN Number: **PCN-0451182R-01**

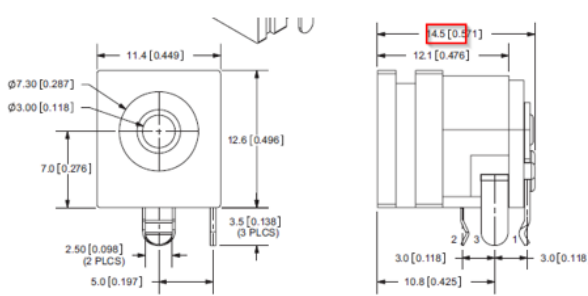
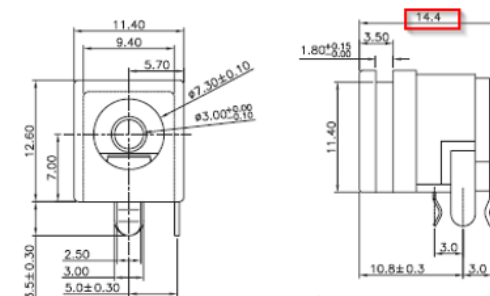
To Our Customers:

We appreciate your use of our products. Our commitment in maintaining and improving processes is demonstrated by plans to enhance our product quality, reliability, and manufacturability. The purpose of this notice is to inform you of a product change.

Product(s) Affected: **PJ-048H**

Reason(s) for Change: **Manufacturing process improvements**

Description of Change: **Minor Housing and footprint differences. Material Change on the housing and terminals. See image Below**

PREVIOUS CUI DEVICES DETAIL / IMAGE			NEW CUI DEVICES DETAIL / IMAGE		
					
	MATERIAL	PLATING		DESCRIPTION	PLATING
center pin	copper	nickel plated		center pin	brass
terminal 1	brass	silver plated		terminal 1	brass t-0.50
terminal 2	copper alloy	silver plated		terminal 2	bronze t-0.30
terminal 3	brass	silver plated		terminal 3	brass t-0.50
plastic	PBT			housing	PBT (UL94V-0)
				cover	PBT (UL94V-0)



Affected Date Code: *11/15/2022*

Product Availability: *Pertaining to market availability*

PCN Approval:

Operations/Quality

A handwritten signature in black ink, appearing to read "Robert Garcia", written over a horizontal line.

Product Management

A handwritten signature in black ink, written over a horizontal line. The signature is partially obscured by a light grey rectangular box.