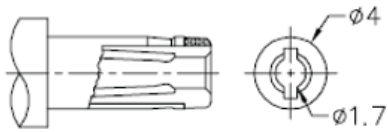


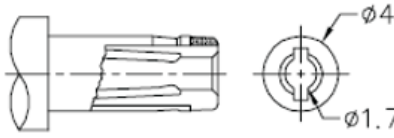


| PREVIOUS CUI DEVICES DETAIL / IMAGE |              |         | NEW CUI DEVICES DETAIL / IMAGE |               |               |
|-------------------------------------|--------------|---------|--------------------------------|---------------|---------------|
|                                     | MATERIAL     | PLATING |                                |               |               |
| center pin                          | copper       | nickel  | DESCRIPTION                    | MATERIAL      | PLATING/COLOR |
| terminal 1                          | brass        | silver  | center pin                     | brass         | nickel        |
| terminal 2                          | copper alloy | silver  | terminal 1                     | brass t=0.35  | silver        |
| terminal 3                          | brass        | silver  | terminal 2                     | bronze t=0.25 | silver        |
|                                     |              |         | terminal 3                     | brass t=0.35  | silver        |



MATING PLUG  
Jack Insertion Depth: 9.50 mm




MATING PLUG  
Jack Insertion Depth: 9.0 mm

Affected Date Code: 03/06/2023

Product Availability: *Pertaining to market availability*

PCN Approval:

Operations/Quality



Product Management

