

## Product Change Notice (PCN)

Date: **4/7/2023**

PCN Number: **PCN-0451140R-01**

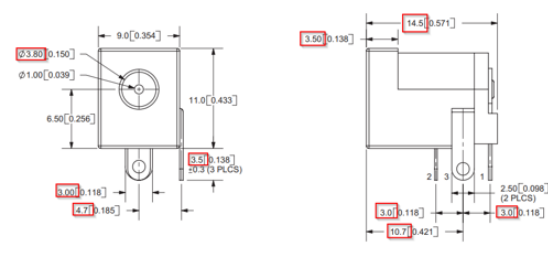
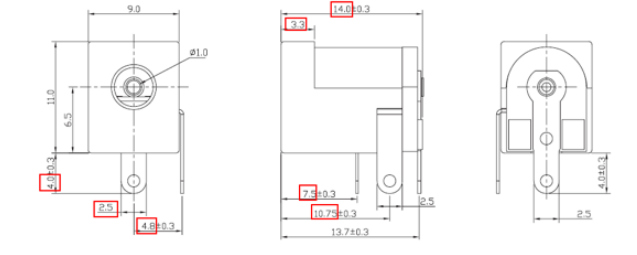
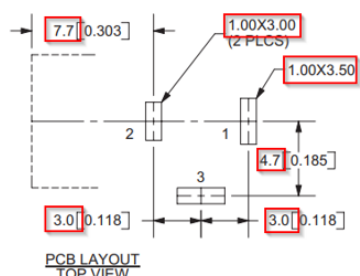
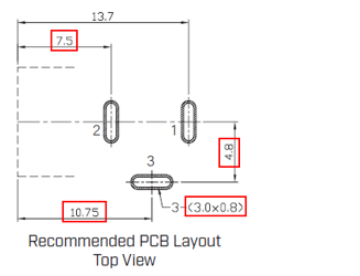
To Our Customers:

We appreciate your use of our products. Our commitment in maintaining and improving processes is demonstrated by plans to enhance our product quality, reliability, and manufacturability. The purpose of this notice is to inform you of a product change.

Product(s) Affected: PJ-035C

Reason(s) for Change: *Manufacturing process improvements*

Description of Change: mechanical, and material differences as shown below:

PREVIOUS CUI DEVICES DETAIL / IMAGE	NEW CUI DEVICES DETAIL / IMAGE																																							
																																								
 <p>PCB LAYOUT TOP VIEW</p>	 <p>Recommended PCB Layout Top View</p>																																							
<table border="1"> <thead> <tr> <th></th> <th>MATERIAL</th> <th>PLATING</th> </tr> </thead> <tbody> <tr> <td>center pin</td> <td>copper</td> <td>nickel</td> </tr> <tr> <td>terminal 1</td> <td>brass</td> <td>tin</td> </tr> <tr> <td>terminal 2</td> <td>copper alloy</td> <td>tin</td> </tr> <tr> <td>terminal 3</td> <td>brass</td> <td>tin</td> </tr> <tr> <td>plastic</td> <td>PBT</td> <td></td> </tr> </tbody> </table>		MATERIAL	PLATING	center pin	copper	nickel	terminal 1	brass	tin	terminal 2	copper alloy	tin	terminal 3	brass	tin	plastic	PBT		<table border="1"> <thead> <tr> <th>DESCRIPTION</th> <th>MATERIAL</th> <th>PLATING/COLOR</th> </tr> </thead> <tbody> <tr> <td>center pin</td> <td>brass</td> <td>nickel</td> </tr> <tr> <td>terminal 1</td> <td>brass</td> <td>tin</td> </tr> <tr> <td>terminal 2</td> <td>bronze</td> <td>tin</td> </tr> <tr> <td>terminal 3</td> <td>brass</td> <td>tin</td> </tr> <tr> <td>cover</td> <td>PBT (UL94V-0)</td> <td>black</td> </tr> <tr> <td>housing</td> <td>PBT (UL94V-0)</td> <td>black</td> </tr> </tbody> </table>	DESCRIPTION	MATERIAL	PLATING/COLOR	center pin	brass	nickel	terminal 1	brass	tin	terminal 2	bronze	tin	terminal 3	brass	tin	cover	PBT (UL94V-0)	black	housing	PBT (UL94V-0)	black
	MATERIAL	PLATING																																						
center pin	copper	nickel																																						
terminal 1	brass	tin																																						
terminal 2	copper alloy	tin																																						
terminal 3	brass	tin																																						
plastic	PBT																																							
DESCRIPTION	MATERIAL	PLATING/COLOR																																						
center pin	brass	nickel																																						
terminal 1	brass	tin																																						
terminal 2	bronze	tin																																						
terminal 3	brass	tin																																						
cover	PBT (UL94V-0)	black																																						
housing	PBT (UL94V-0)	black																																						

F-723-001

Revision: A



Affected Date Code: 3/30/23

Product Availability: Channel Availability Q2

Additional Information:

PCN Approval:

Operations/Quality



Product Management

