

## Product Change Notice (PCN)

**Date:** 11/4/2022

**PCN Number:** PCN-0450990R-01

To Our Customers:

We appreciate your use of our products. Our commitment in maintaining and improving processes is demonstrated by plans to enhance our product quality, reliability, and manufacturability. The purpose of this notice is to inform you of a product change.

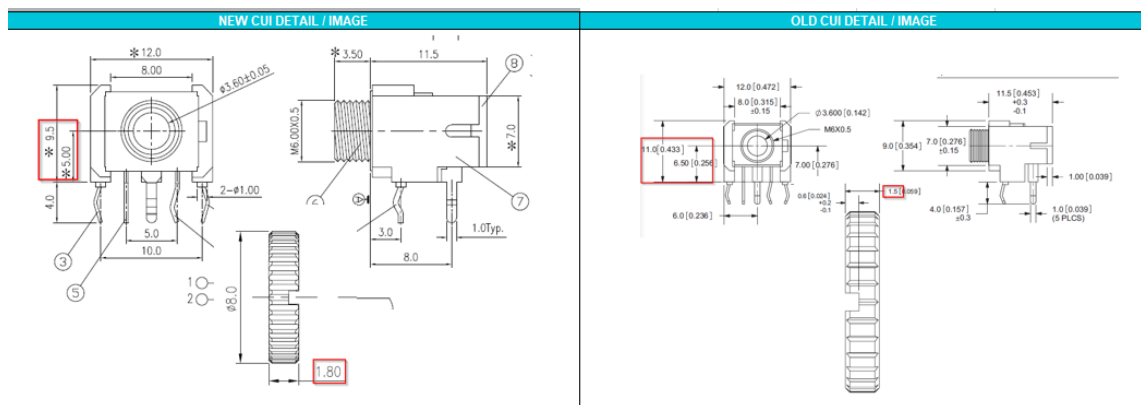
Product(s) Affected:

SJ1-3543, SJ1-3544, SJ1-3545

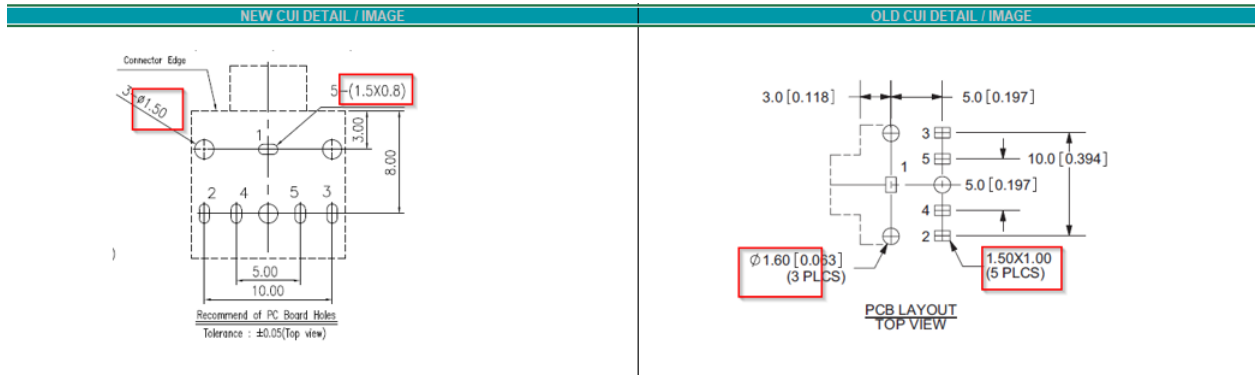
Reason(s) for Change: *Manufacturing process improvements*

Description of Change:

1. New updated part is 1.5mm shorter than previous part, and the nut is higher on new part



## 2. PCB hole recommendations differ



## 3. Housing Material Change

NEW CUI DETAIL / IMAGE			OLD CUI DETAIL / IMAGE		
DESCRIPTION	MATERIAL	PLATING/COLOR		MATERIAL	PLATING
terminal 1	C2680 t=0.30	silver		cold rolled steel	nickel
terminal 2	C5191 t=0.30	silver		copper alloy	tin
terminal 3	C5191 t=0.30	silver		copper alloy	tin
terminal 4	C2680 t=0.40	silver		brass	tin
terminal 5	C2680 t=0.40	silver		brass	tin
bushing	copper alloy	tin over copper		brass	nickel
cover	PBT (UL94V-0)	black			
housing	PBT (UL94V-0)	black			

Affected Date Code: **11/15/2022**

Product Availability: **Channel availability mid Q4**

Additional Information:



PCN Approval:

Operations/Quality

A handwritten signature in black ink, appearing to read "Rae Adams", written over a horizontal line.

Product Management

A handwritten signature in black ink, appearing to read "Nick Wolfe", written over a horizontal line.

Nick Wolfe

10/26/2022